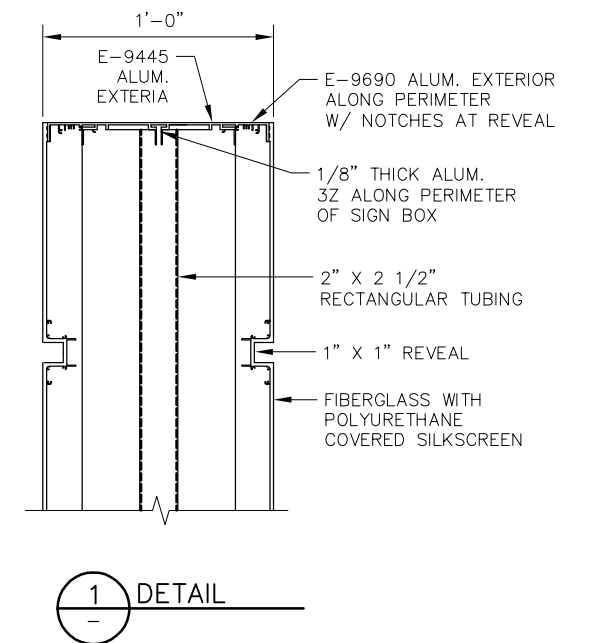
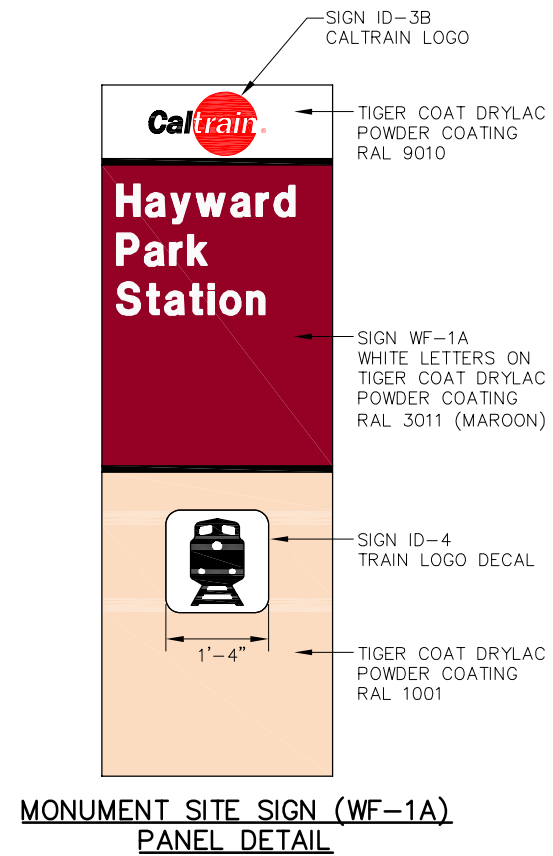


MONUMENT STATION SITE SIGN

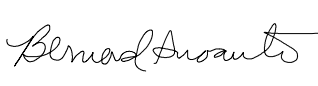




NOTE:
1. SEE SD-3300 FOR SIGNAGE GENERAL REQUIREMENTS

REV	DATE	BY	CHK	APP	DESCRIPTION	REV	DATE	BY	CHK	APP	DESCRIPTION

PENINSULA CORRIDOR JOINT POWERS BOARD

APPROVED BY:



1250 San Carlos Avenue
San Carlos, CA 94070

STANDARD DRAWINGS

STATIONS AND FACILITIES
SIGNAGE
MONUMENT STATION SITE SIGN
AT STATION ENTRY

CADD FILE NO.: SD-3360	
REV 0	DATE 093011
STATIONS & FACILITIES	
STANDARD NO.: SD-3360	