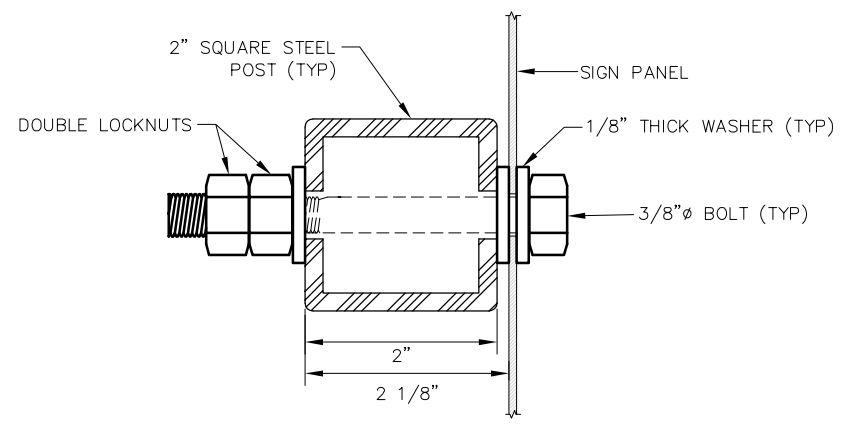


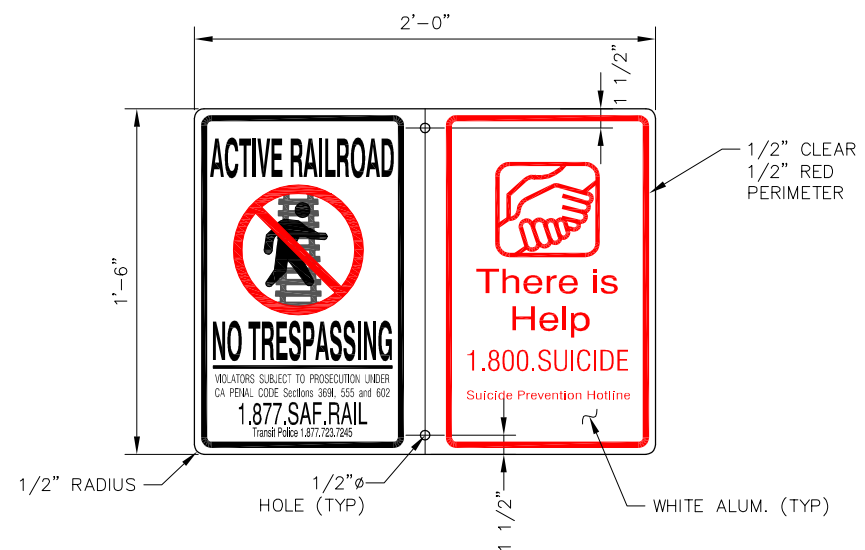
FRONT VIEW

SIDE VIEW

SIGN ON SQUARE POST

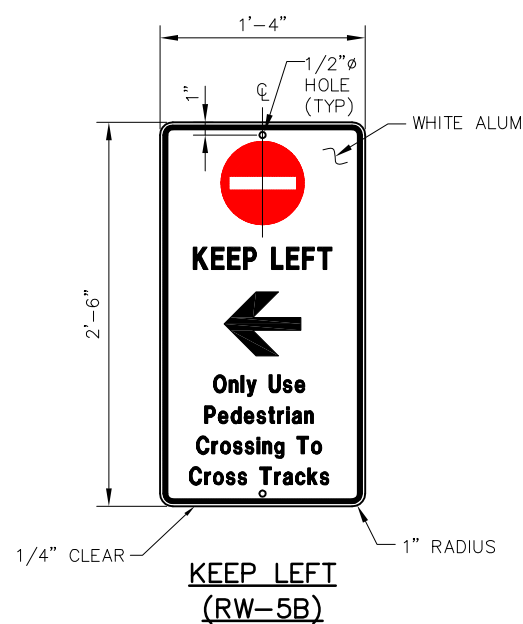
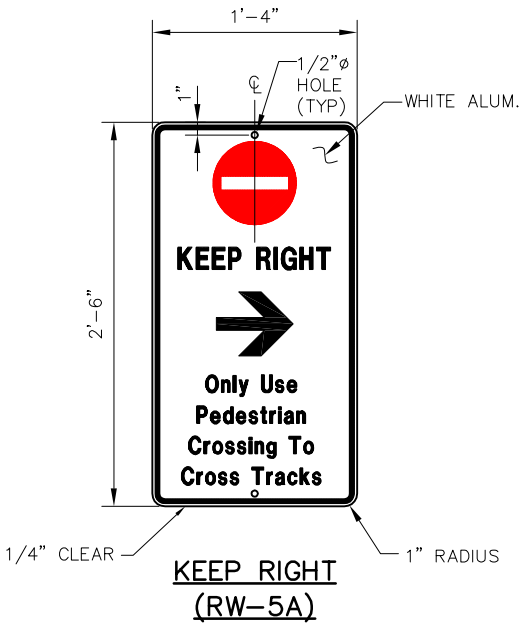


SECTION A-A MOUNTING DETAIL



NO TRESPASSING/SUICIDE PREVENTION (RW-4 DOUBLE SIDED)

NOTE:  
1. SEE SD-3300 FOR GENERAL REQUIREMENTS



REV	DATE	BY	CHK	APP	DESCRIPTION

**PENINSULA CORRIDOR JOINT POWERS BOARD**

APPROVED BY:

*Bernard Anagnostis*      *Stephane Chou*

ENGINEERING MANAGER      DEPUTY DIRECTOR OF ENGINEERING



1250 San Carlos Avenue  
San Carlos, CA 94070

**STANDARD DRAWINGS**

STATIONS AND FACILITIES SIGNAGE  
PEDESTRIAN CROSSING REGULATORY AND WARNING SIGNS

CADD FILE NO.:	SD-3352
REV	DATE
0	093011
STATIONS & FACILITIES	
STANDARD NO.:	SD-3352