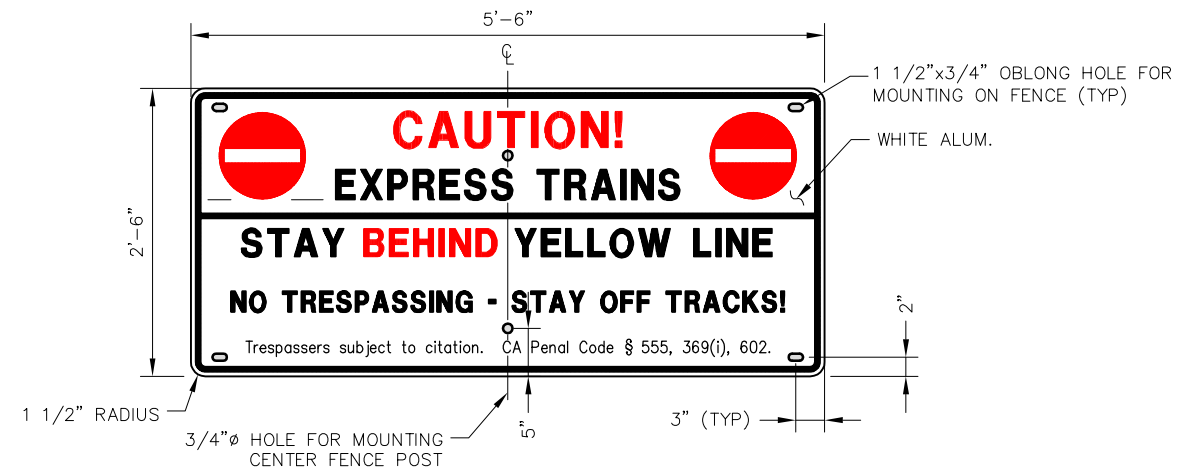
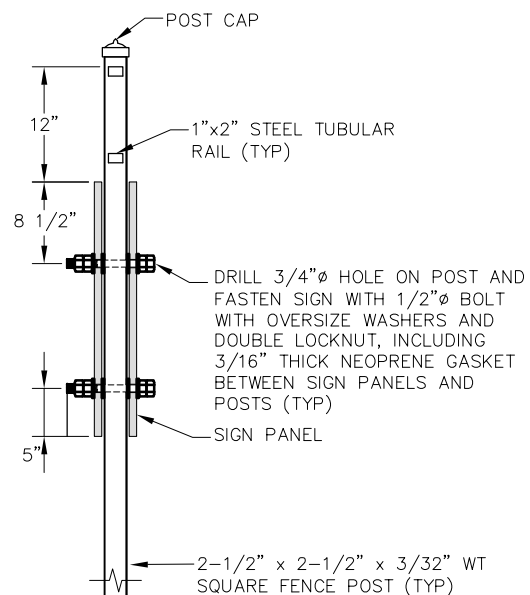


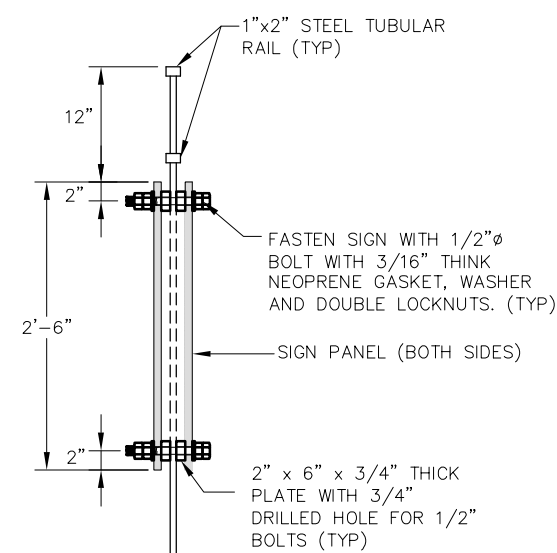
SIGN MOUNTED ON CENTER FENCE



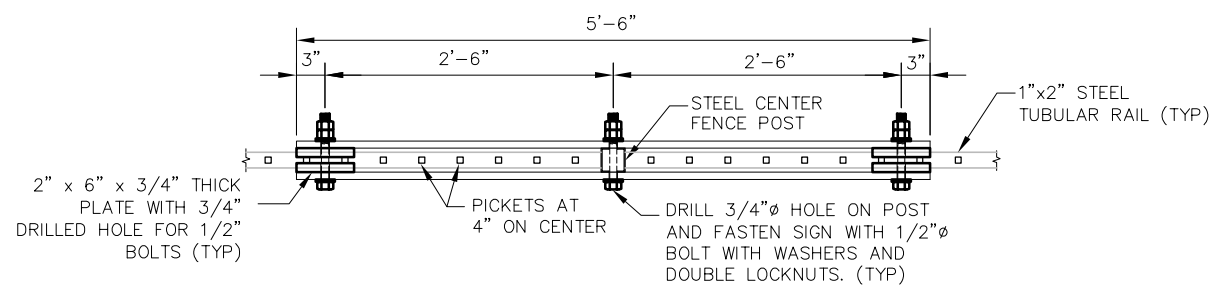
CAUTION: EXPRESS TRAINS/STAY BEHIND YELLOW LINE (RW-1)



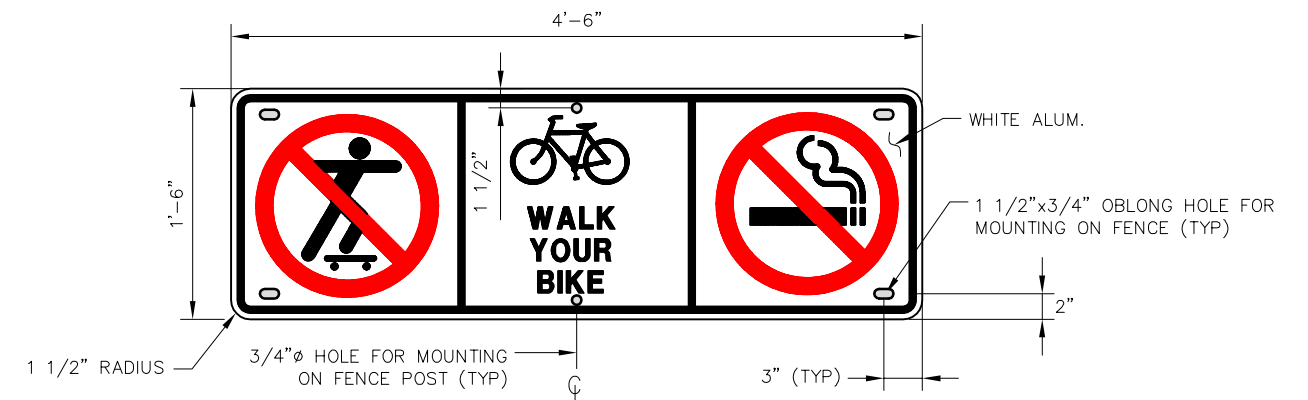
SECTION A-A



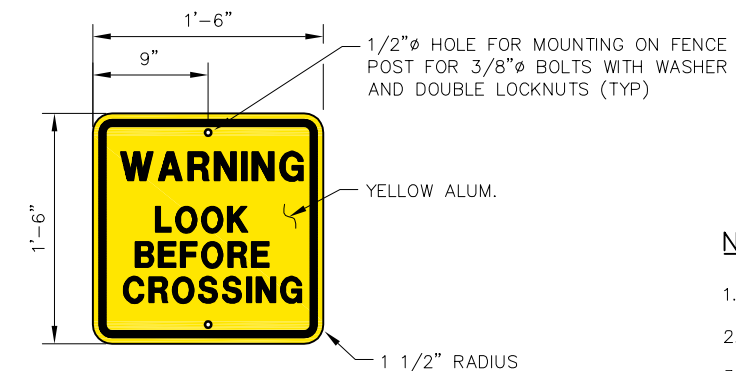
SECTION B-B



**SECTION C-C
MOUNTING DETAIL**



NO FUN SIGN (RW-2)






WARNING: LOOK BEFORE CROSSING (RW-3)

NOTES

1. SEE SD-3300 FOR GENERAL REQUIREMENTS
2. ALL STEEL WASHERS ARE 3/16" THICK
3. ALL HARDWARE IS SS 316

REV	DATE	BY	CHK	APP	DESCRIPTION	REV	DATE	BY	CHK	APP	DESCRIPTION

PENINSULA CORRIDOR JOINT POWERS BOARD		STANDARD DRAWINGS		CADD FILE NO.: SD-3350	
APPROVED BY:				REV: 0 DATE: 093011	
 				STATIONS AND FACILITIES SIGNAGE REGULATORY AND WARNING SIGNS ON CENTER FENCE	
ENGINEERING MANAGER		DEPUTY DIRECTOR OF ENGINEERING		STATIONS & FACILITIES	
1250 San Carlos Avenue San Carlos, CA 94070		1250 San Carlos Avenue San Carlos, CA 94070		STANDARD NO.: SD-3350	