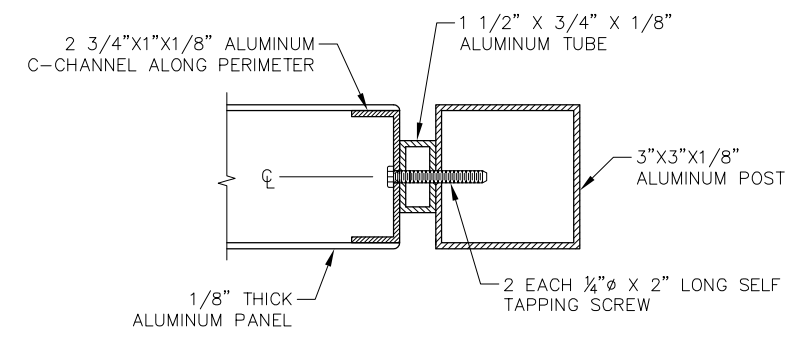
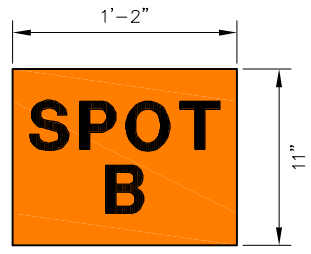
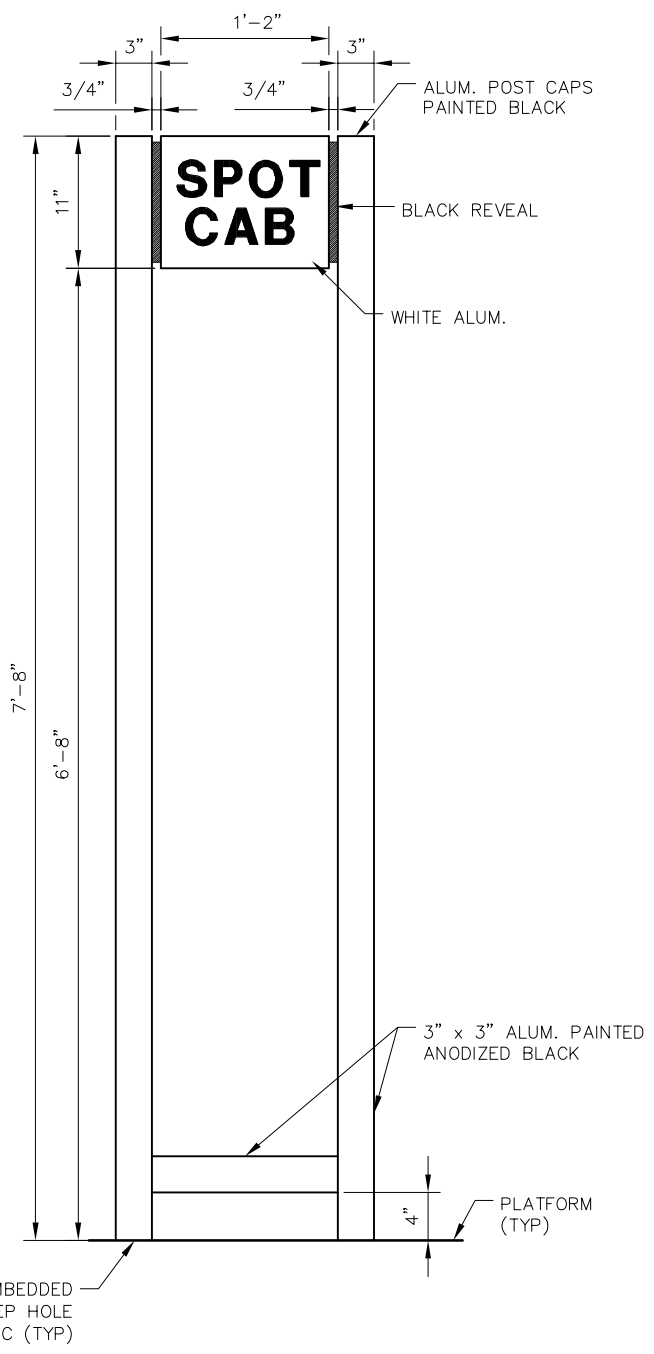


BLACK LETTERS ON WHITE BACKGROUND
"SC" TYPE
 (OPS-2A)



MOUNTING DETAIL
 1
 -
 DETAIL



BLACK LETTERS ON ORANGE BACKGROUND
"SB" TYPE
 (OPS-2B)

NOTES:
 1. SEE SD-3300 FOR GENERAL REQUIREMENTS

REV	DATE	BY	CHK	APP	DESCRIPTION	REV	DATE	BY	CHK	APP	DESCRIPTION

PENINSULA CORRIDOR JOINT POWERS BOARD

APPROVED BY:

ENGINEERING MANAGER

DEPUTY DIRECTOR OF ENGINEERING

1250 San Carlos Avenue
San Carlos, CA 94070

STANDARD DRAWINGS		CADD FILE NO.: SD-3320
STATIONS AND FACILITIES SIGNAGE	REV 0	DATE 093011
STATION SPOT CAB SIGNS	STATIONS & FACILITIES	
STANDARD NO.:		SD-3320