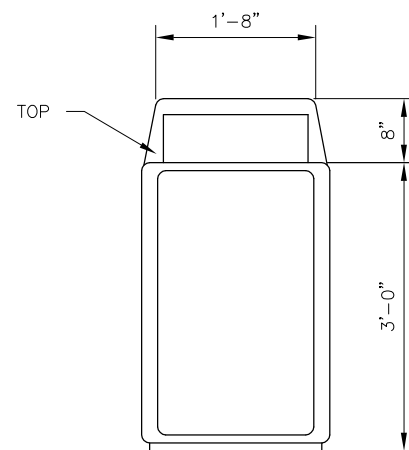
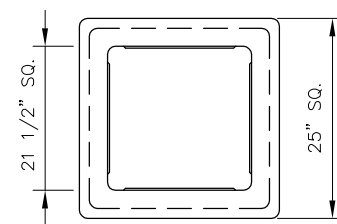


FRONT ELEVATION

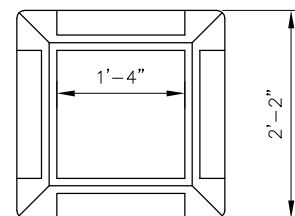


SIDE ELEVATION



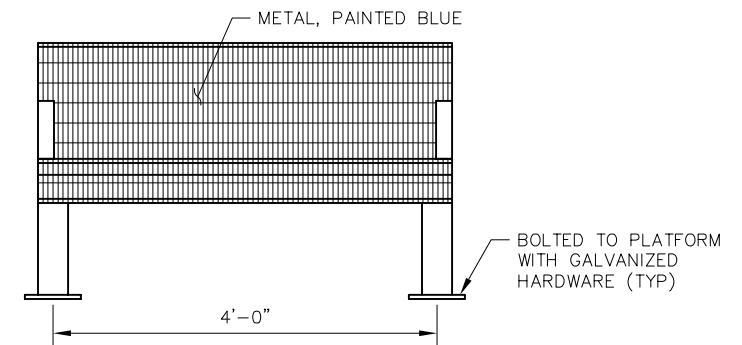
PLAN VIEW

TYPICAL TRASH RECEPTACLE

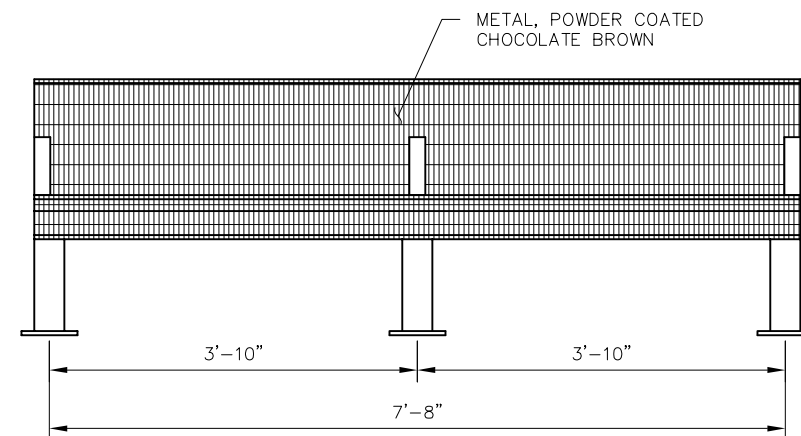


PLAN VIEW

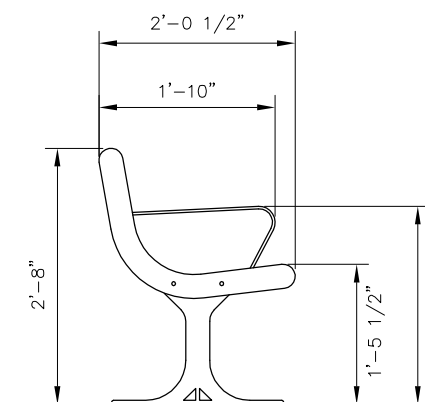
TYPICAL RECYCLING RECEPTACLE



TYPICAL ADA BENCH
(OUTSIDE SHELTERS)



FRONT ELEVATION



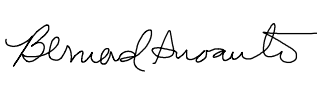
SIDE ELEVATION

TYPICAL PLATFORM BENCH DETAIL
(OUTSIDE SHELTERS)


REV	DATE	BY	CHK	APP	DESCRIPTION	REV	DATE	BY	CHK	APP	DESCRIPTION

PENINSULA CORRIDOR JOINT POWERS BOARD

APPROVED BY:




ENGINEERING MANAGER DEPUTY DIRECTOR OF ENGINEERING



1250 San Carlos Avenue
 San Carlos, CA 94070

STANDARD DRAWINGS

STATIONS AND FACILITIES
SHELTERS AND AMENITIES

BENCHES AND TRASH RECEPTACLES

CADD FILE NO.: SD-3220	
REV 0	DATE 093011
STATIONS & FACILITIES	
STANDARD NO.: SD-3220	