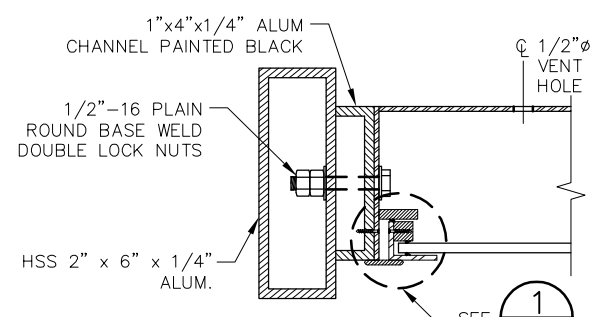


FRONT (OPS-1)
(BACK SIDE SIMILAR)

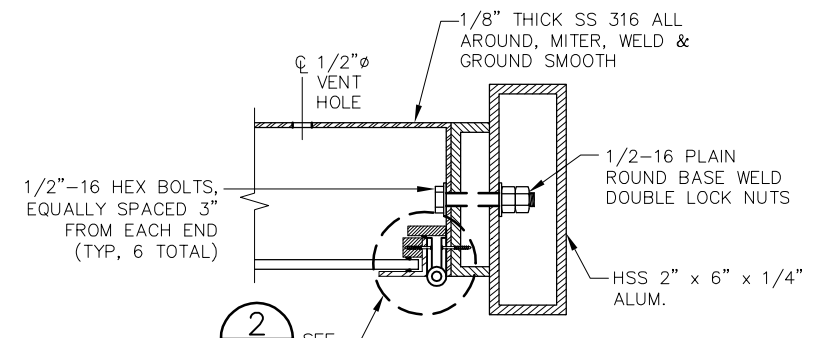
SIDE

3 DETAIL



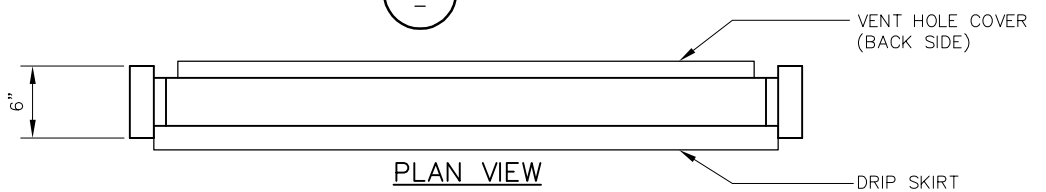
SECTION AT HEX BOLTS

A SECTION

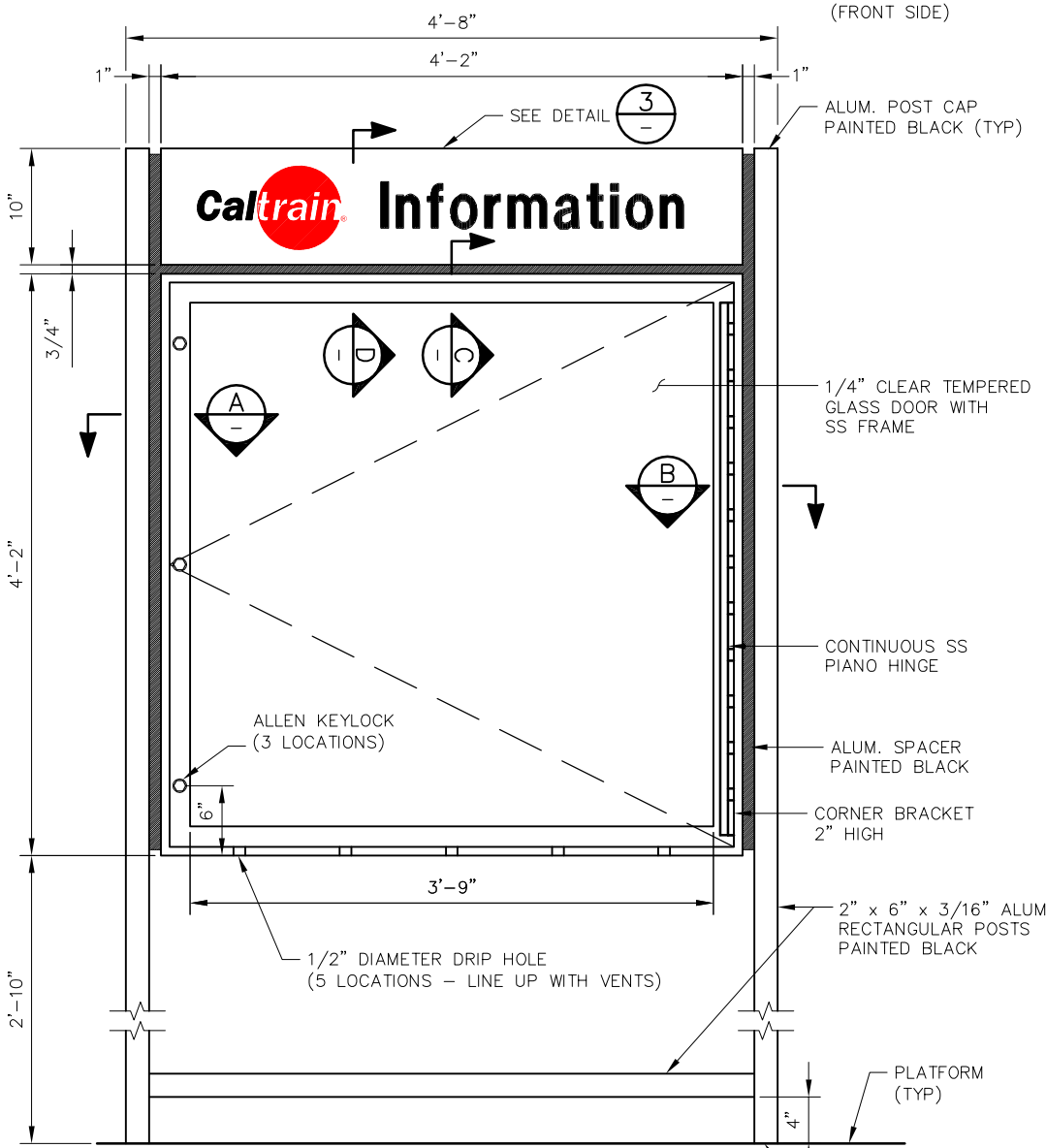


SECTION AT HEX BOLTS

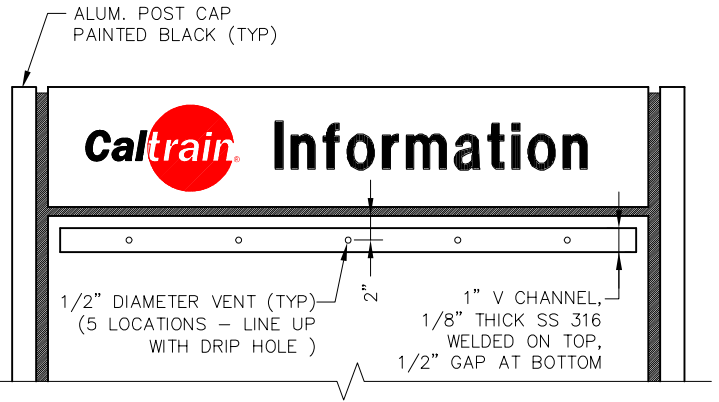
B SECTION



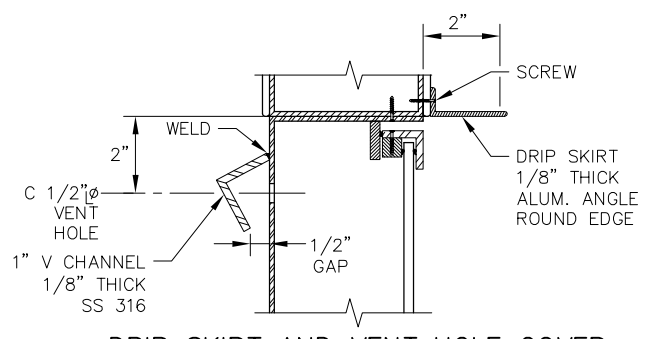
PLAN VIEW



FRONT VIEW
INFORMATION DISPLAY CASE

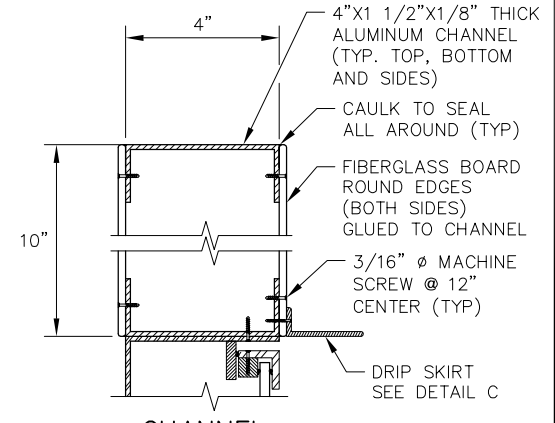


BACK VIEW



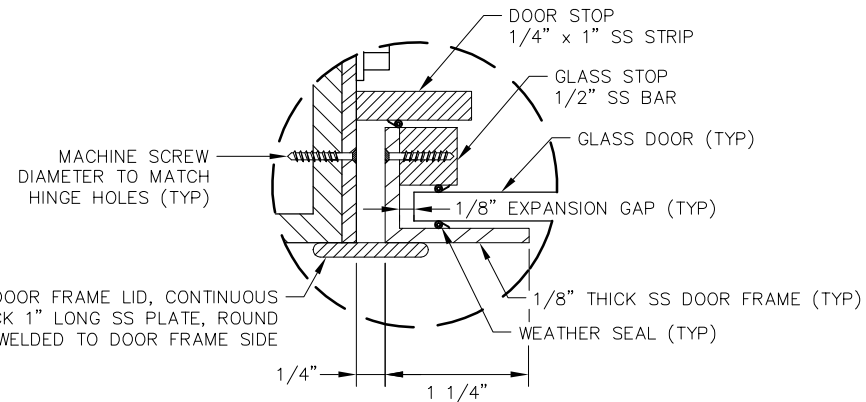
DRIP SKIRT AND VENT HOLE COVER

C SECTION

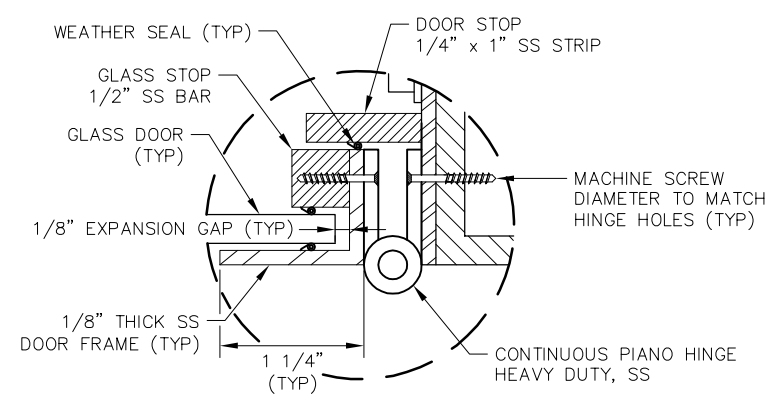


CHANNEL

D SECTION



1 DETAIL



2 DETAIL

NOTES:

- SEE SD-3300 FOR GENERAL REQUIREMENTS
- PIANO HINGE:
TYPE: CONTINUOUS, HEAVY WEIGHT, SS 316
HOLE: FACTORY DRILLED, IN LINE, COUNTER SUNK, 2" ON CENTERS FOR 3/16" SS 316 SCREWS
LEAF: 1.5" (3" OVERALL WIDTH), RADIUS CORNERS
PIN DIAMETER: 0.125" MINIMUM
KNUCKLE LENGTH: 0.5" - 1"
THICKNESS: 0.125" (OR GAUGE 11 FOR SS)

- ALL BOLTS, SCREWS, WASHERS & LOCKS ARE SS 316
- WEATHER SEAL: PEMKO OR CALTRAIN APPROVED EQUAL, HEAVY DUTY, SPONGE, VINYL OR NEOPRENE INSERT, 1/8" EFFECTIVE THICKNESS. SUBMIT SAMPLE FOR APPROVAL
- RIGHT HINGE SHOWN, LEFT HINGE IDENTICAL. CONFIRM WITH CALTRAIN TYPE PRIOR TO FABRICATION
- CASE SHALL BE PERFECTLY PLUMBED FOR PROPER OPERATION OF HINGE
- PAINT DISPLAY CASE BLACK (NON-REFLECTIVE, AND SMOOTH-FINISH)

REV	DATE	BY	CHK	APP	DESCRIPTION

PENINSULA CORRIDOR JOINT POWERS BOARD

APPROVED BY:






1250 San Carlos Avenue
San Carlos, CA 94070

STANDARD DRAWINGS

STATIONS AND FACILITIES
SHELTERS AND AMENITIES

INFORMATION DISPLAY CASE

CADD FILE NO.:	SD-3210
REV	DATE
0	093011
STATIONS & FACILITIES	
STANDARD NO.:	SD-3210