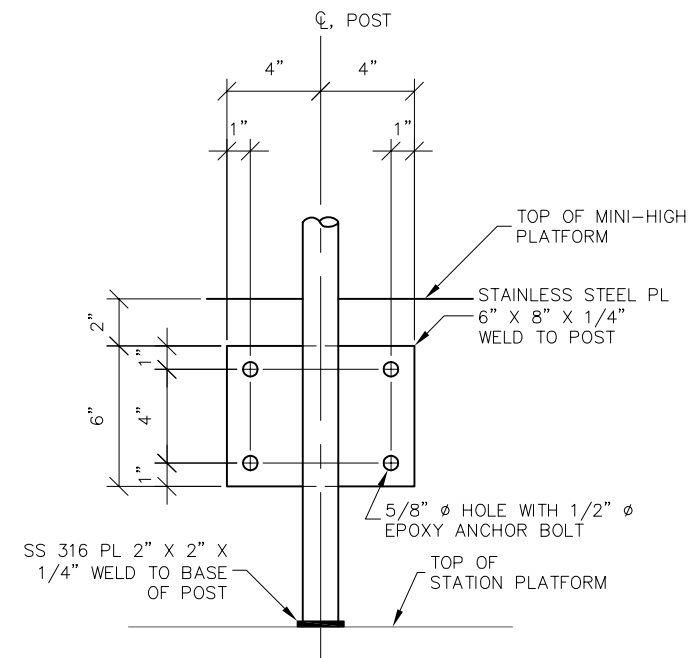
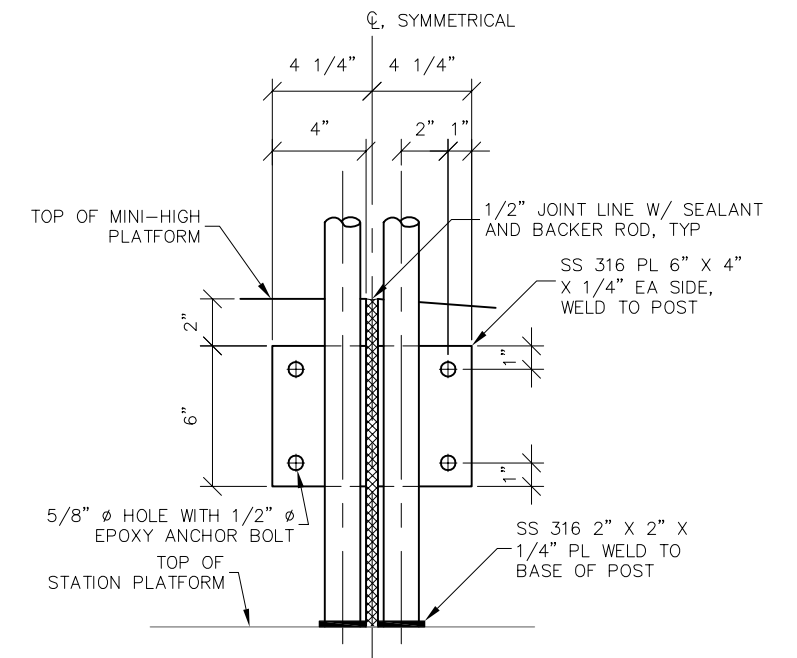


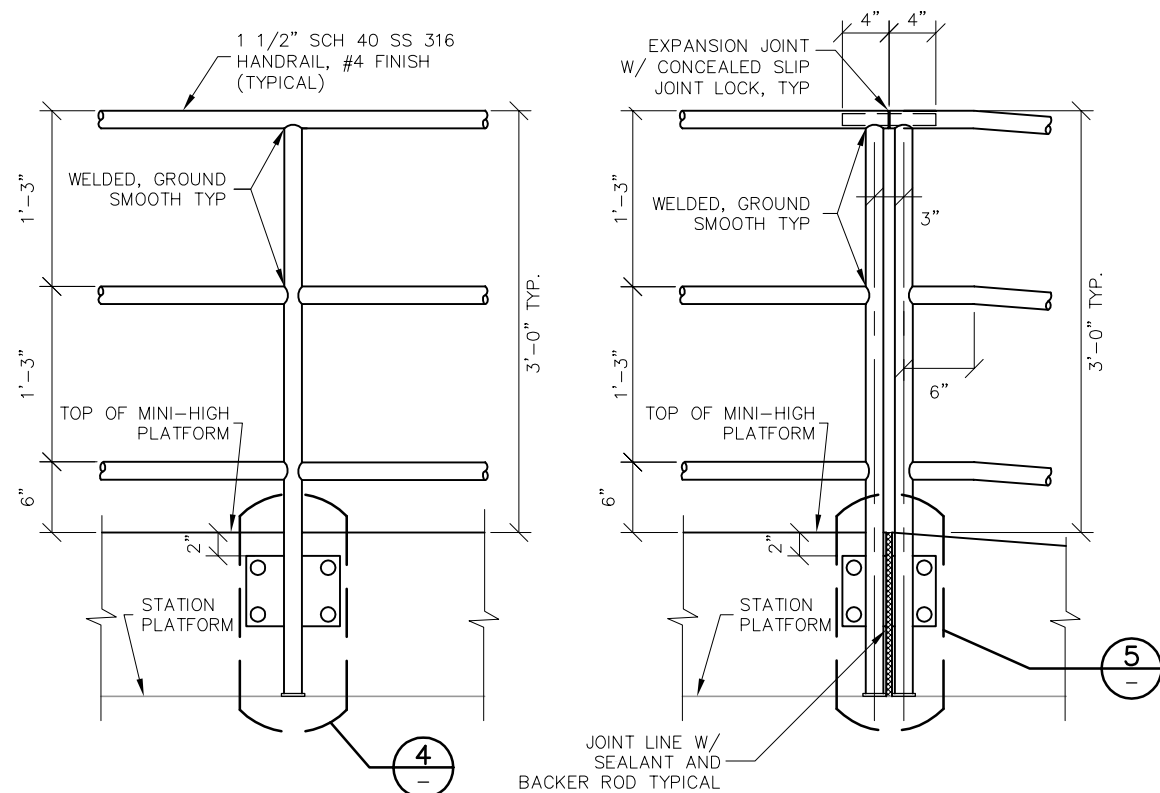
**PLATFORM HANDRAIL**



**4** DETAIL  
SCALE: NTS

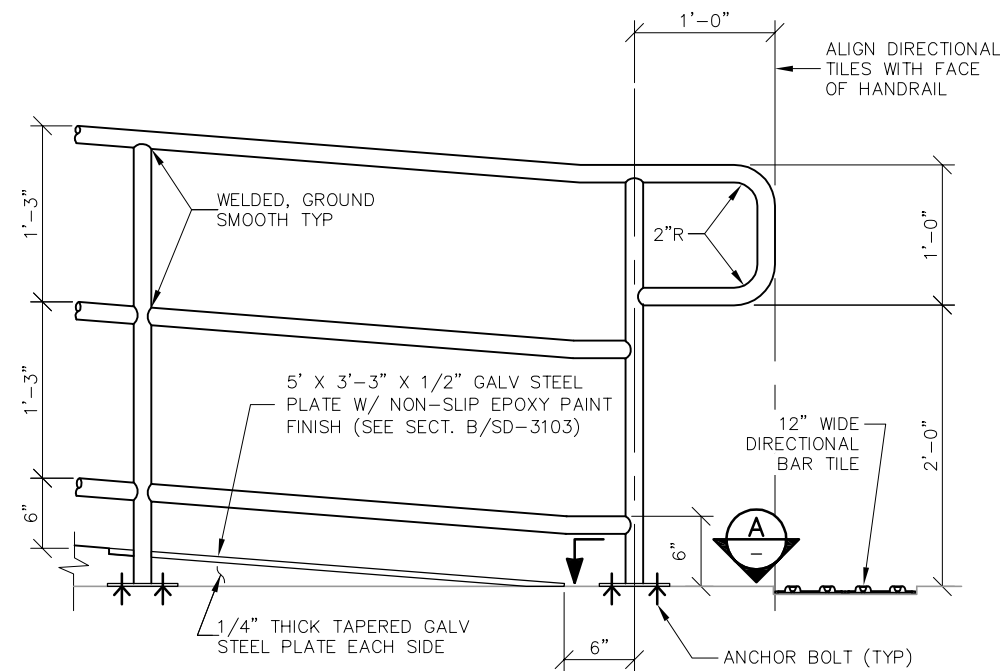


**5** DETAIL  
SCALE: NTS

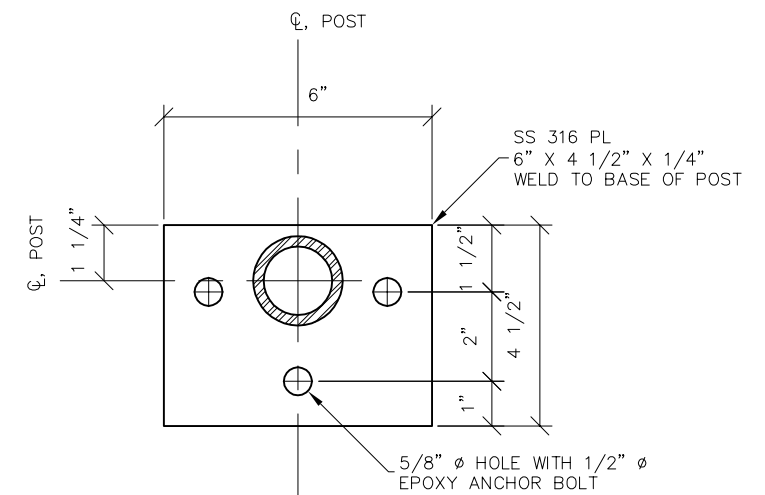


**1** TYPICAL HANDRAIL  
DETAIL  
SCALE: NTS

**2** TYPICAL HANDRAIL  
DETAIL  
SCALE: NTS



**3** TYPICAL HANDRAIL  
DETAIL  
SCALE: NTS






**A** SECTION  
SCALE: NTS

REV	DATE	BY	CHK	APP	DESCRIPTION	REV	DATE	BY	CHK	APP	DESCRIPTION
1	030110	BH	BS	SC	CLARIFICATION						

**PENINSULA CORRIDOR JOINT POWERS BOARD**

APPROVED BY:



1250 San Carlos Avenue  
San Carlos, CA 94070

**STANDARD DRAWINGS**

**STATIONS AND FACILITIES  
MINI-HIGH PLATFORMS  
ANCHOR AND HANDRAIL DETAILS  
SHEET 1 OF 2**

CADD FILE NO.:	SD-3102
REV	DATE
0	093011
STATIONS & FACILITIES	
STANDARD NO.:	SD-3102