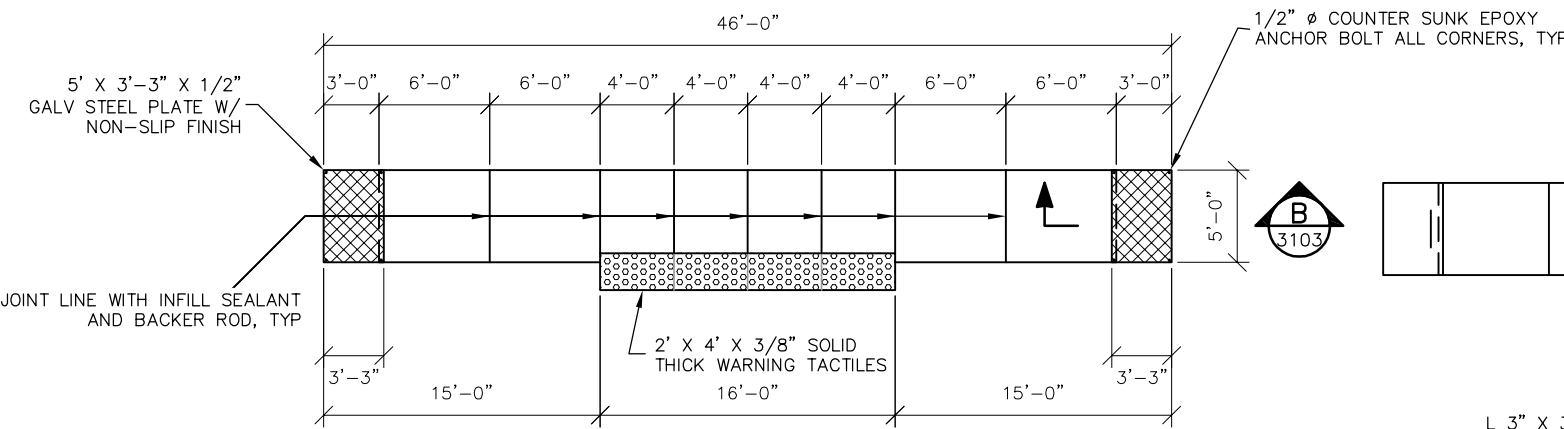
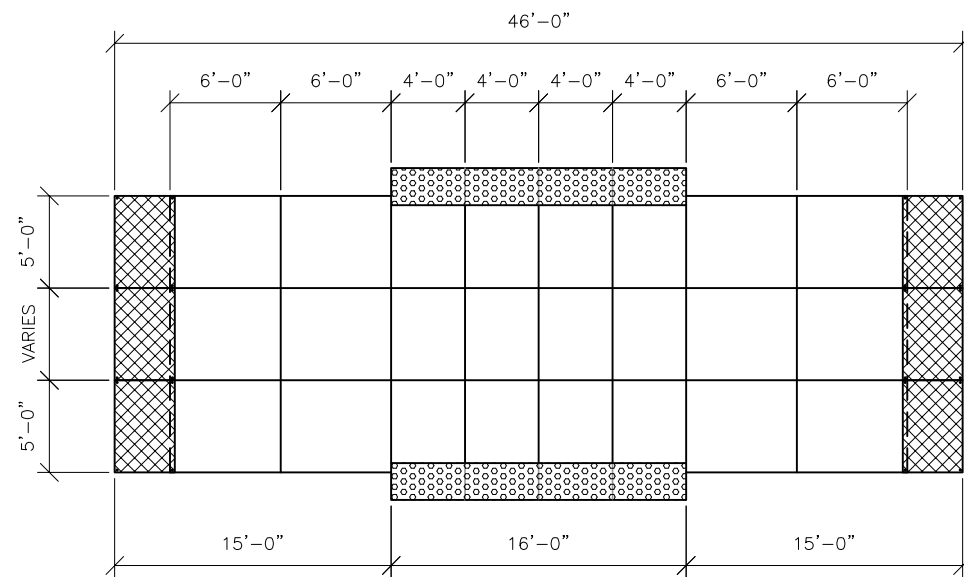


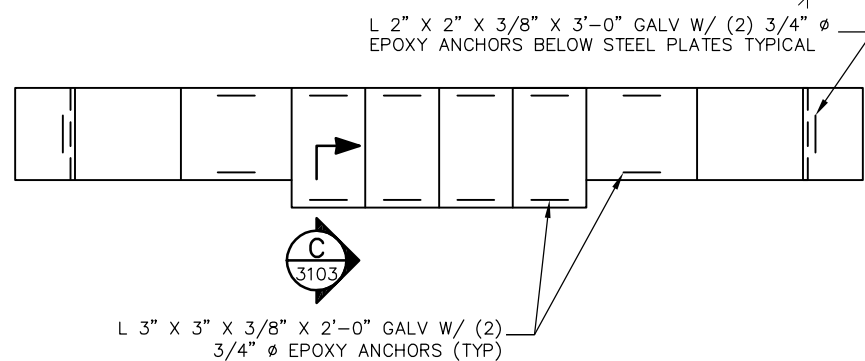
MINI-HIGH PLATFORM
(STATION OUTBOARD PLATFORM SHOWN, CENTER ISLAND PLATFORM SIMILAR)



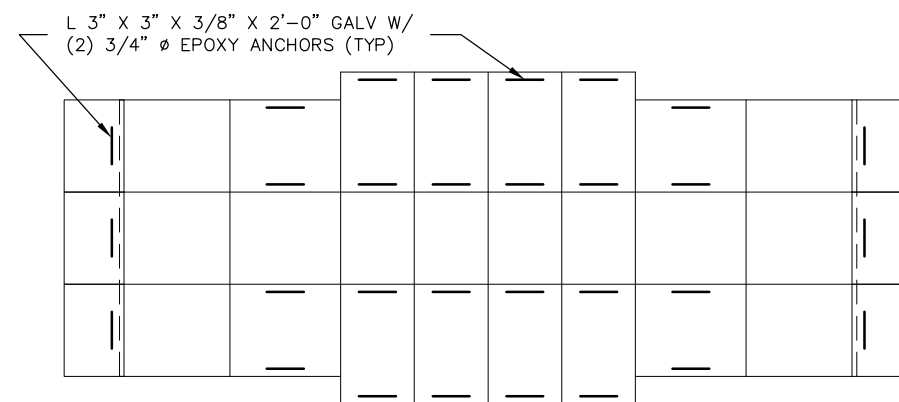
PRECAST PLATFORM UNITS (OUTBOARD PLATFORM)



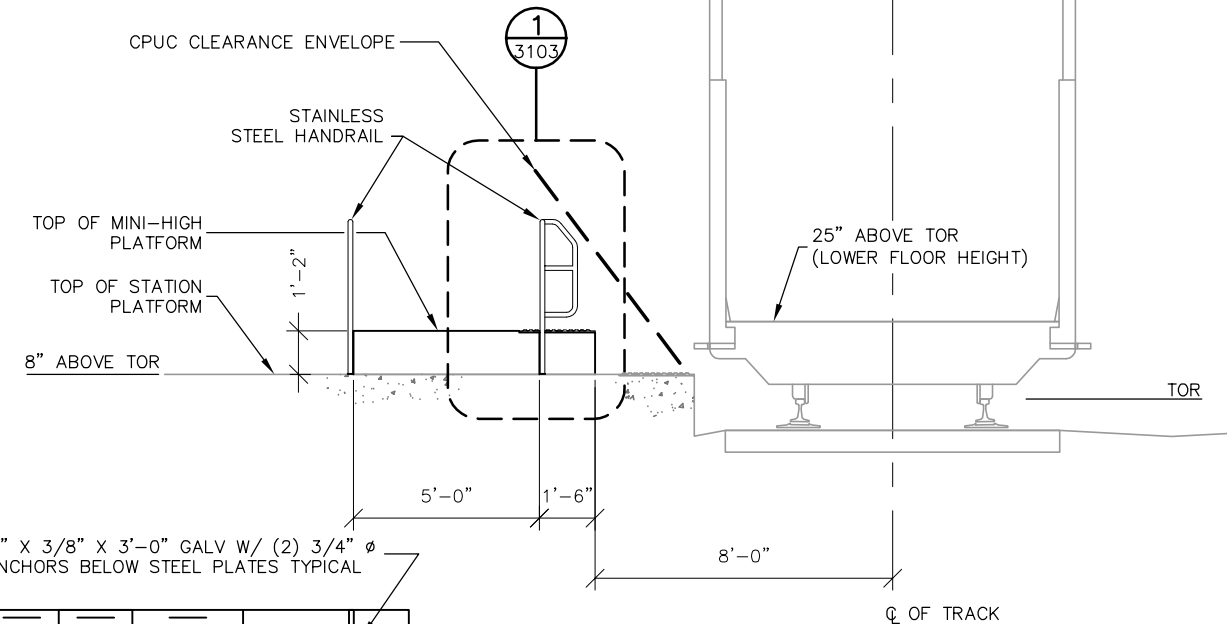
PRECAST PLATFORM UNITS (CENTER ISLAND PLATFORM)



PLATFORM UNITS ANCHOR LAYOUT (OUTBOARD PLATFORMS)



PLATFORM UNITS ANCHOR LAYOUT (CENTER ISLAND PLATFORM)



SECTION A
SCALE: NTS



NOTES:

- HANDRAILS, BASE PLATES, ANCHOR BOLTS AND ACCESSORIES SHALL BE SS 316. HANDRAILS SHALL BE # 4 FINISH
- MINIMUM EMBEDMENT DEPTH SHALL BE 2 1/2" FOR 1/2" Ø EPOXY ANCHORS AND 4" FOR 3/4" Ø EPOXY ANCHORS
- PRECAST PLATFORM UNITS SHALL BE DESIGNED FOR 250 PSF LIVE LOAD AND PER CALTRAIN SPECIFICATION, SECTION 03450, PRECAST ARCHITECTURAL CONCRETE
- SUBMIT SHOP DRAWINGS AND STRUCTURAL CALCULATIONS FOR PRECAST PLATFORM UNITS AND HAND RAILING FOR ENGINEER'S APPROVAL PRIOR TO FABRICATION. SHOP DRAWINGS AND STRUCTURAL CALCULATIONS SHALL BE SEALED AND SIGNED BY A PROFESSIONAL CIVIL ENGINEER REGISTERED IN CALIFORNIA
- FOR MARKING AND TACTILE DETAILS, SEE SD-3500 AND SD-3501


REV	DATE	BY	CHK	APP	DESCRIPTION

PENINSULA CORRIDOR JOINT POWERS BOARD

APPROVED BY:

ENGINEERING MANAGER DEPUTY DIRECTOR OF ENGINEERING



1250 San Carlos Avenue
San Carlos, CA 94070

STANDARD DRAWINGS		CADD FILE NO.:
STATIONS AND FACILITIES MINI-HIGH PLATFORMS		SD-3101
REV	DATE	
0	093011	
STATIONS & FACILITIES		
STANDARD NO.:		SD-3101
PLATFORM CONFIGURATIONS		