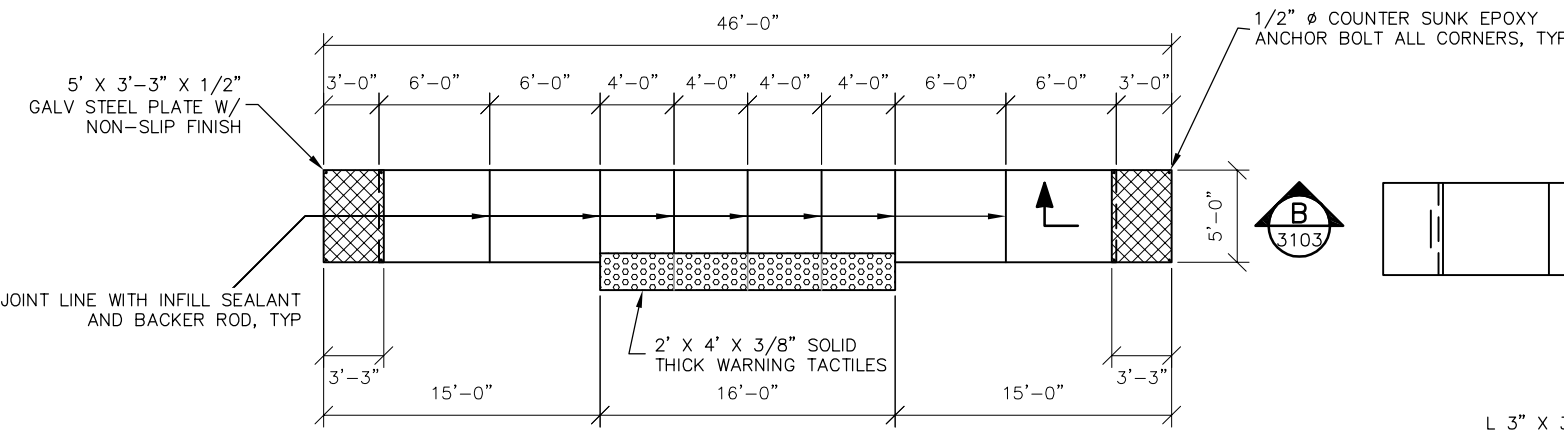
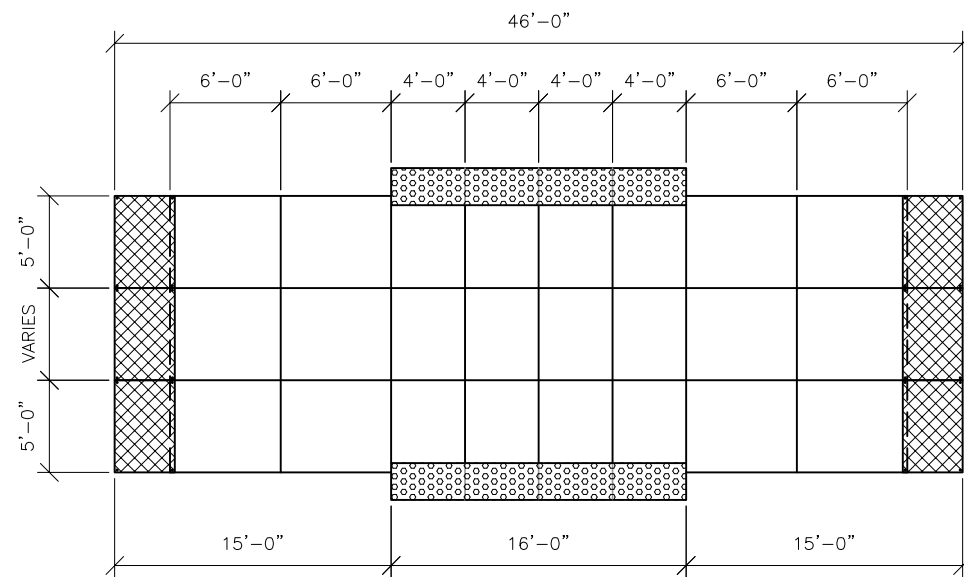


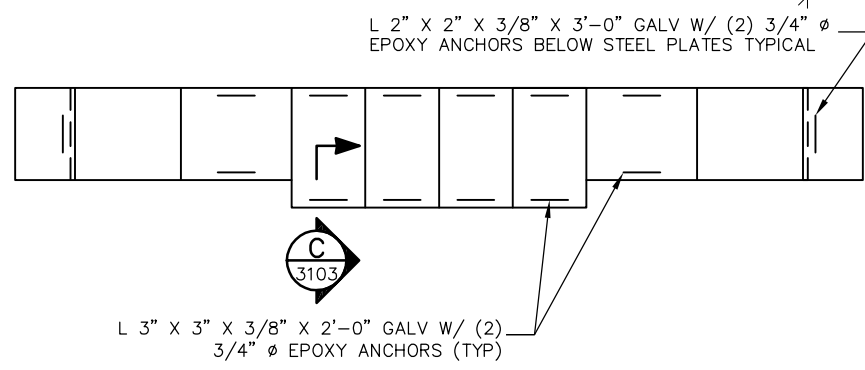
**MINI-HIGH PLATFORM**  
(STATION OUTBOARD PLATFORM SHOWN, CENTER ISLAND PLATFORM SIMILAR)



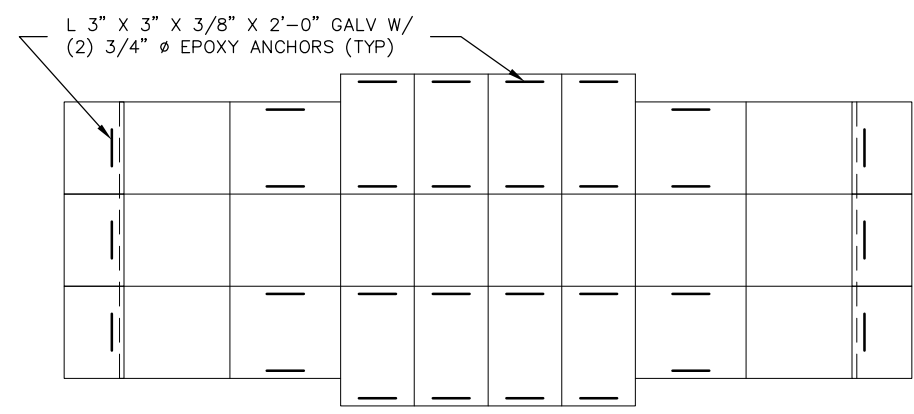
**PRECAST PLATFORM UNITS (OUTBOARD PLATFORM)**



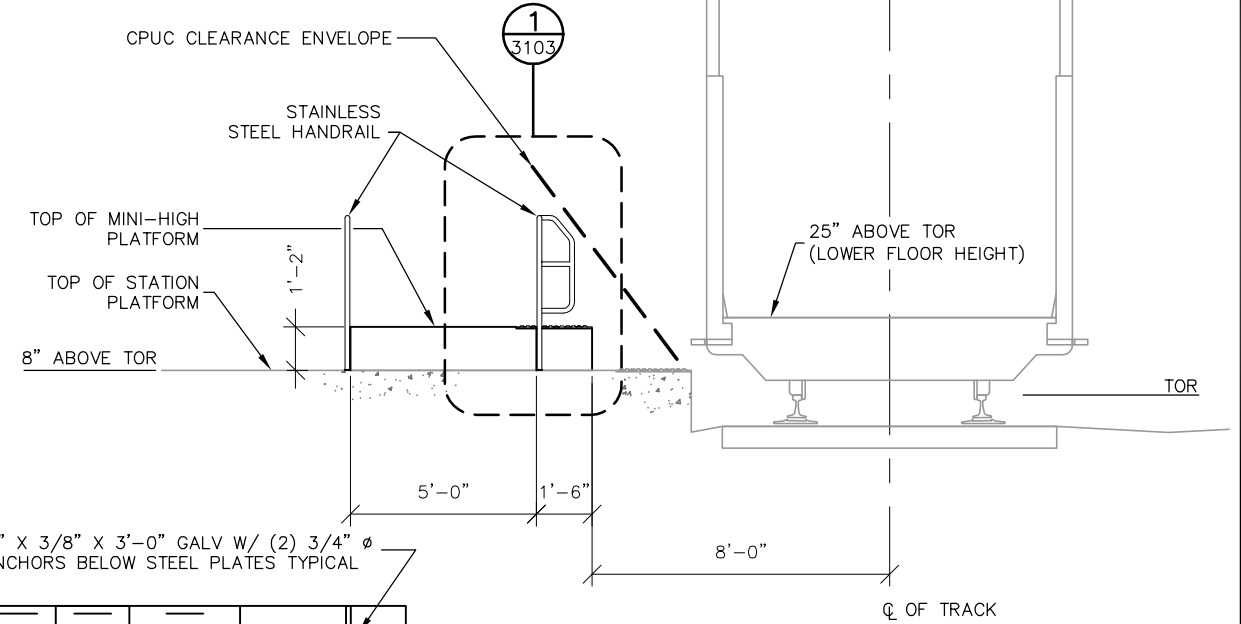
**PRECAST PLATFORM UNITS (CENTER ISLAND PLATFORM)**



**PLATFORM UNITS ANCHOR LAYOUT (OUTBOARD PLATFORMS)**



**PLATFORM UNITS ANCHOR LAYOUT (CENTER ISLAND PLATFORM)**



**SECTION A**  
SCALE: NTS



**NOTES:**

- HANDRAILS, BASE PLATES, ANCHOR BOLTS AND ACCESSORIES SHALL BE SS 316. HANDRAILS SHALL BE # 4 FINISH
- MINIMUM EMBEDMENT DEPTH SHALL BE 2 1/2" FOR 1/2" Ø EPOXY ANCHORS AND 4" FOR 3/4" Ø EPOXY ANCHORS
- PRECAST PLATFORM UNITS SHALL BE DESIGNED FOR 250 PSF LIVE LOAD AND PER CALTRAIN SPECIFICATION, SECTION 03450, PRECAST ARCHITECTURAL CONCRETE
- SUBMIT SHOP DRAWINGS AND STRUCTURAL CALCULATIONS FOR PRECAST PLATFORM UNITS AND HAND RAILING FOR ENGINEER'S APPROVAL PRIOR TO FABRICATION. SHOP DRAWINGS AND STRUCTURAL CALCULATIONS SHALL BE SEALED AND SIGNED BY A PROFESSIONAL CIVIL ENGINEER REGISTERED IN CALIFORNIA
- FOR MARKING AND TACTILE DETAILS, SEE SD-3500 AND SD-3501


REV	DATE	BY	CHK	APP	DESCRIPTION

**PENINSULA CORRIDOR JOINT POWERS BOARD**

APPROVED BY:

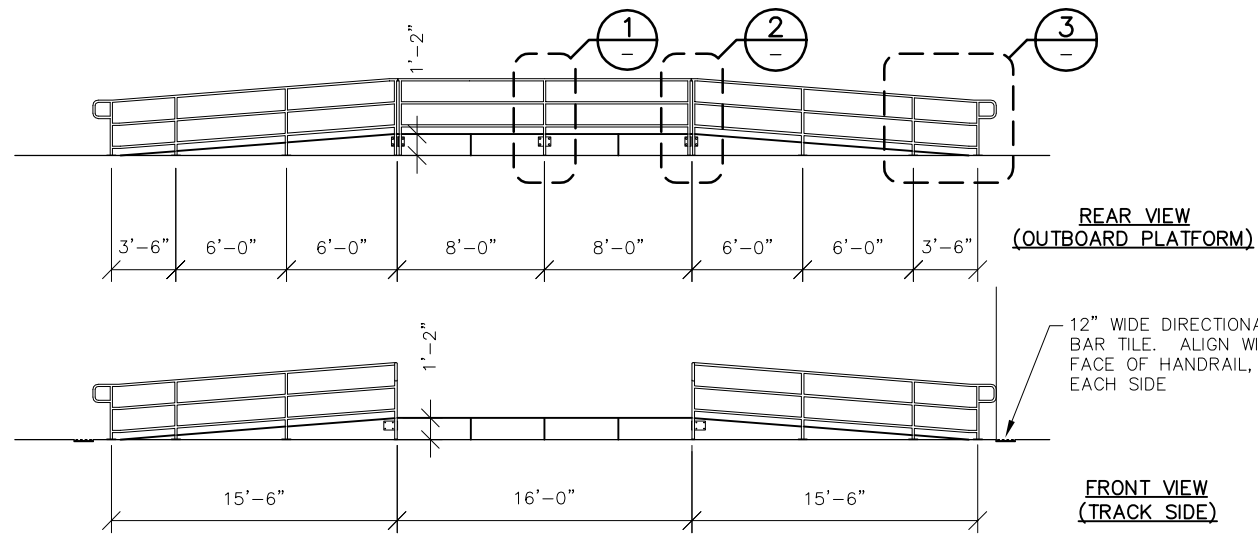



ENGINEERING MANAGER      DEPUTY DIRECTOR OF ENGINEERING

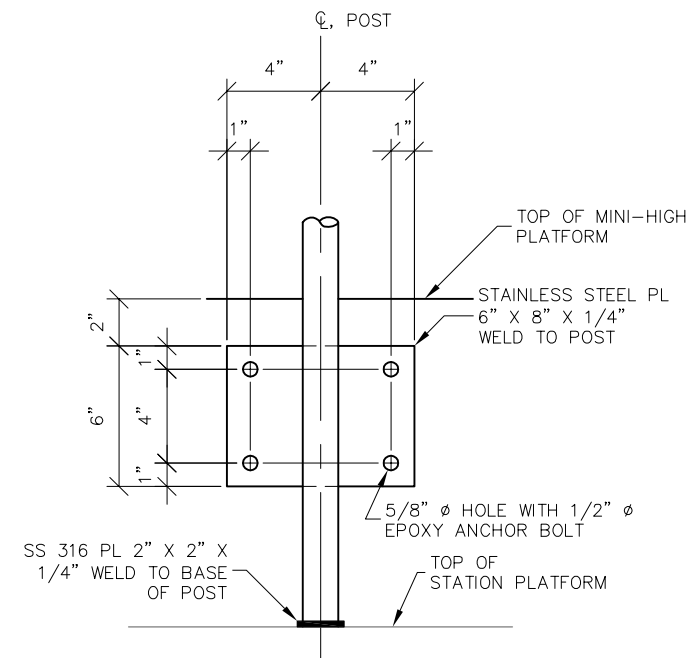


1250 San Carlos Avenue  
San Carlos, CA 94070

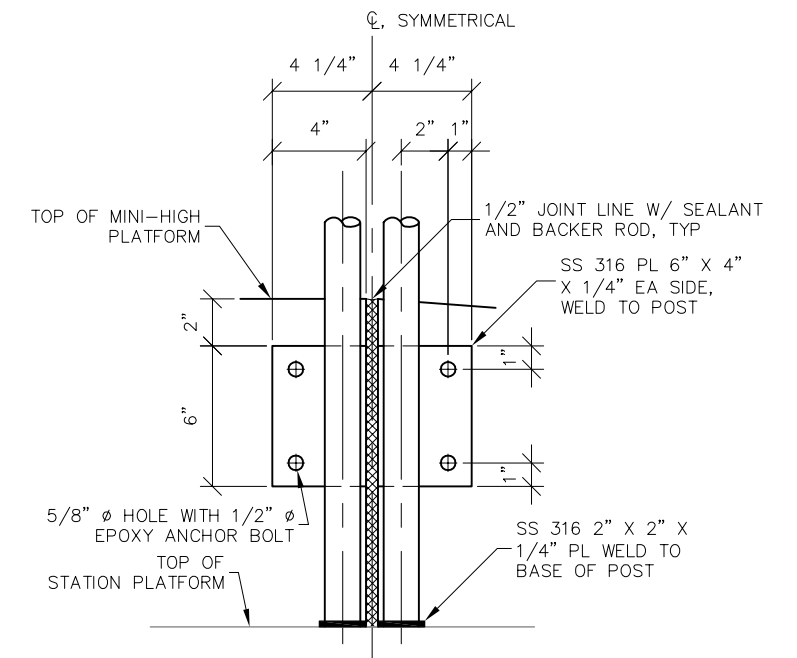
STANDARD DRAWINGS		CADD FILE NO.:
STATIONS AND FACILITIES MINI-HIGH PLATFORMS		SD-3101
REV	DATE	
0	093011	
STATIONS & FACILITIES		
STANDARD NO.:		SD-3101
PLATFORM CONFIGURATIONS		



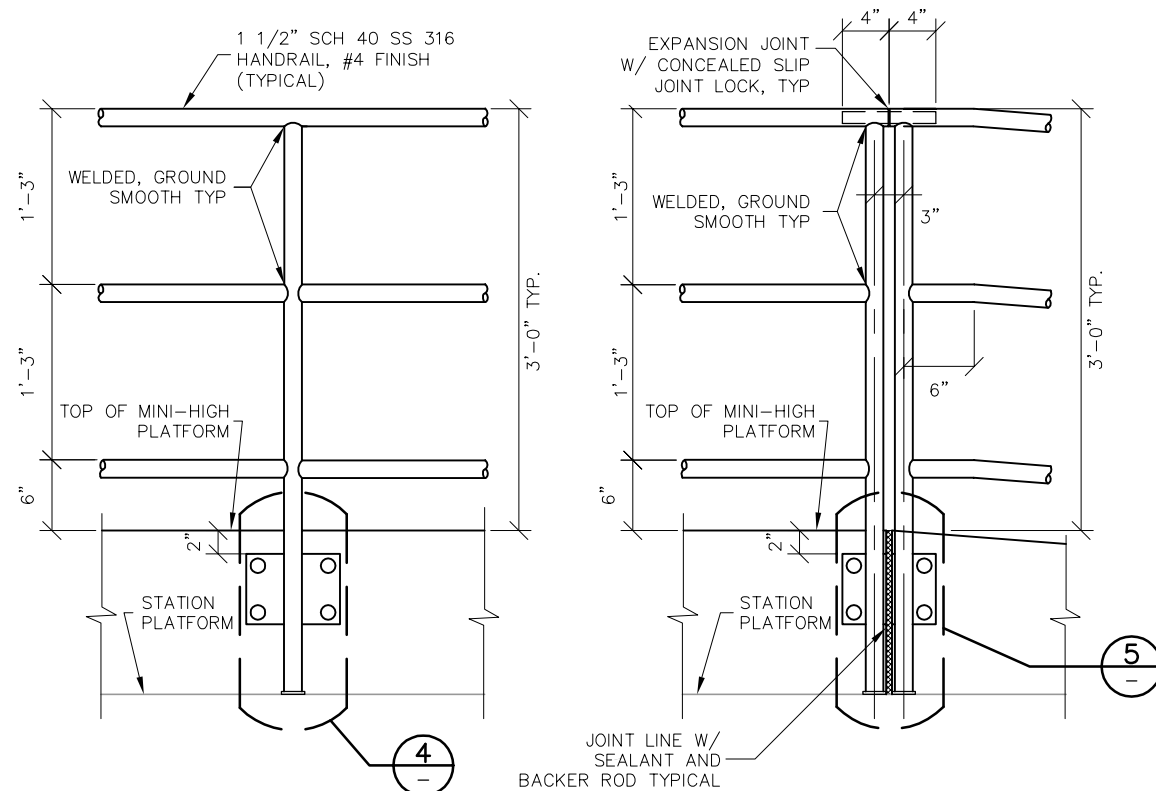
**PLATFORM HANDRAIL**



**4** DETAIL  
SCALE: NTS

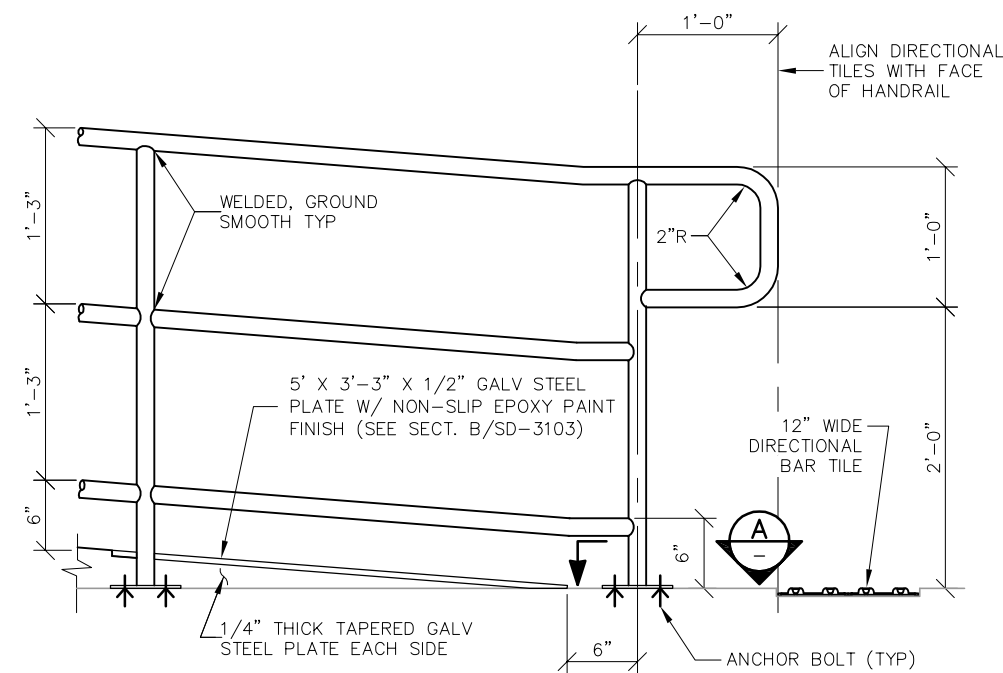


**5** DETAIL  
SCALE: NTS

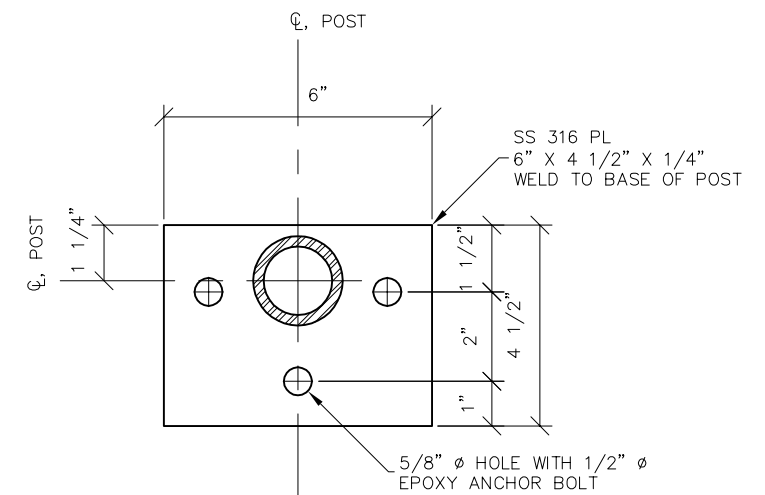


**1** TYPICAL HANDRAIL  
DETAIL  
SCALE: NTS

**2** TYPICAL HANDRAIL  
DETAIL  
SCALE: NTS



**3** TYPICAL HANDRAIL  
DETAIL  
SCALE: NTS






**A** SECTION  
SCALE: NTS

REV	DATE	BY	CHK	APP	DESCRIPTION	REV	DATE	BY	CHK	APP	DESCRIPTION
1	030110	BH	BS	SC	CLARIFICATION						

**PENINSULA CORRIDOR JOINT POWERS BOARD**

APPROVED BY:

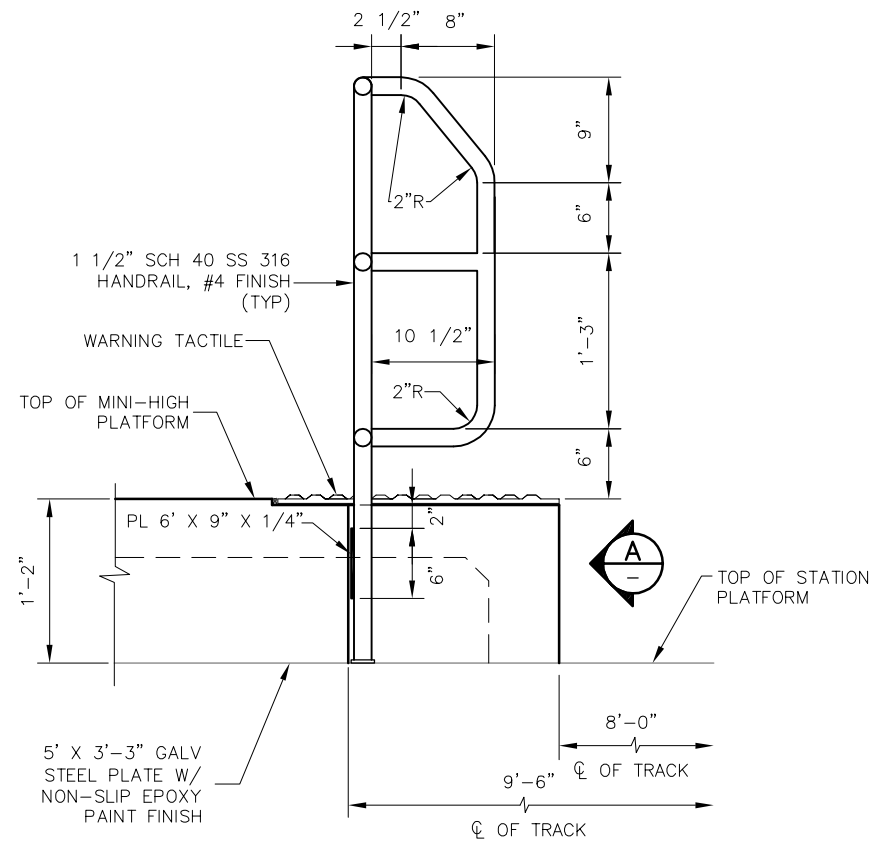


1250 San Carlos Avenue  
San Carlos, CA 94070

**STANDARD DRAWINGS**

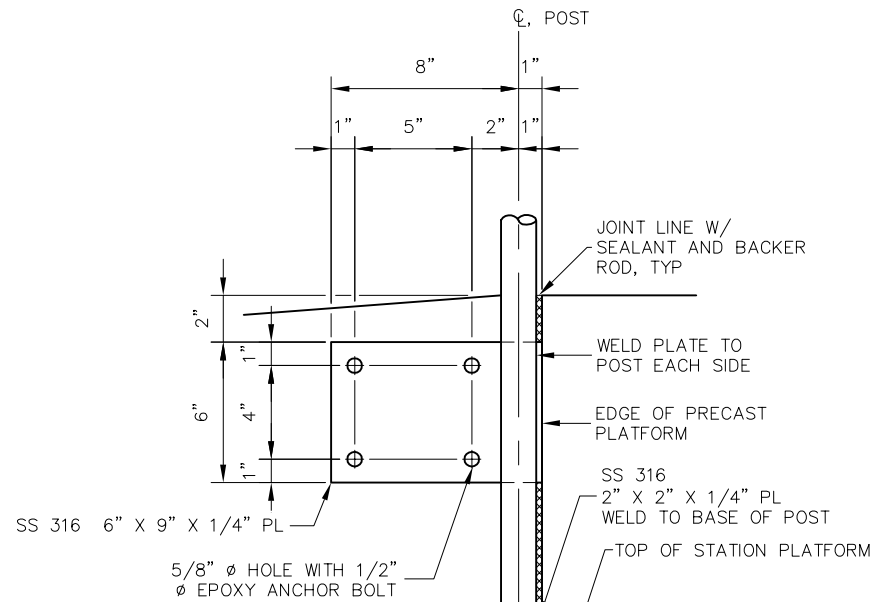
**STATIONS AND FACILITIES  
MINI-HIGH PLATFORMS  
ANCHOR AND HANDRAIL DETAILS  
SHEET 1 OF 2**

CADD FILE NO.: SD-3102	
REV 0	DATE 093011
STATIONS & FACILITIES	
STANDARD NO.: SD-3102	

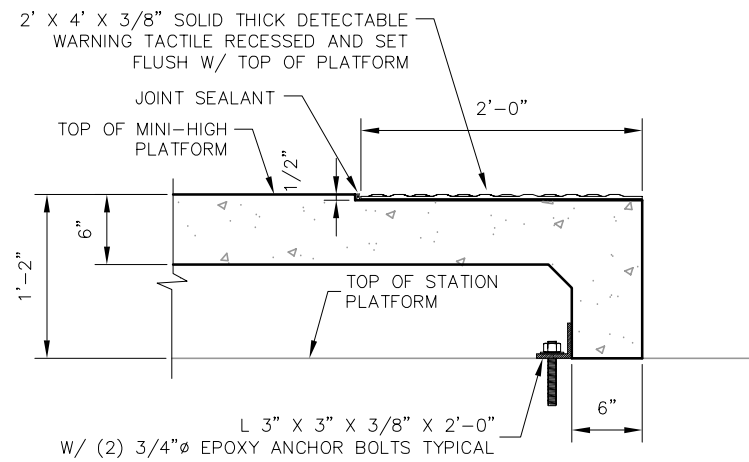


TYPICAL HANDRAIL

3101 **1** DETAIL  
3103 SCALE: NTS

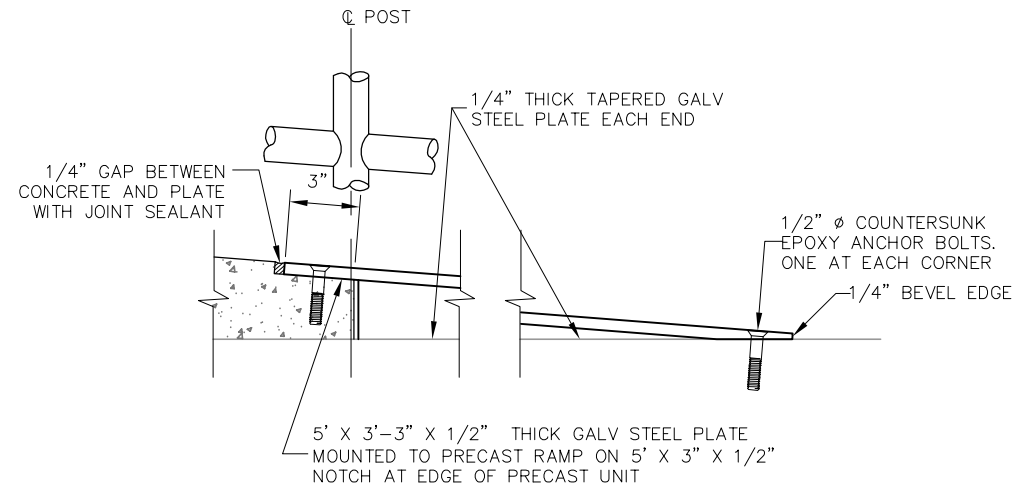


**A** ELEVATION  
SCALE: NTS



DETECTABLE WARNING TACTILE

3101 **C** SECTION  
3103 SCALE: NTS





RAMP PLATE DETAILS


3101 **B** SECTION  
3103 SCALE: NTS

REV	DATE	BY	CHK	APP	DESCRIPTION	REV	DATE	BY	CHK	APP	DESCRIPTION

**PENINSULA CORRIDOR JOINT POWERS BOARD**

APPROVED BY:



1250 San Carlos Avenue  
San Carlos, CA 94070

ENGINEERING MANAGER      DEPUTY DIRECTOR OF ENGINEERING

**STANDARD DRAWINGS**

STATIONS AND FACILITIES  
MINI-HIGH PLATFORMS  
ANCHOR AND HANDRAIL DETAILS  
SHEET 2 OF 2

CADD FILE NO.:	SD-3103
REV	DATE
0	093011
STATIONS & FACILITIES	
STANDARD NO.:	SD-3103