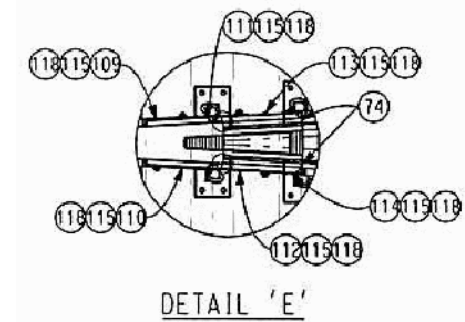
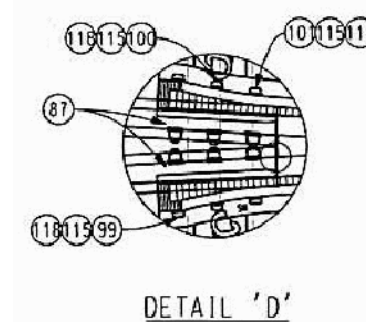
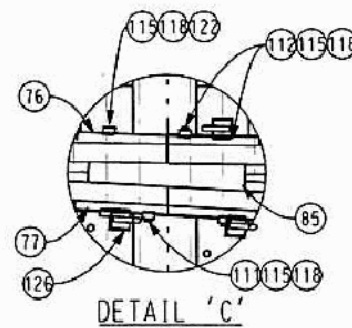
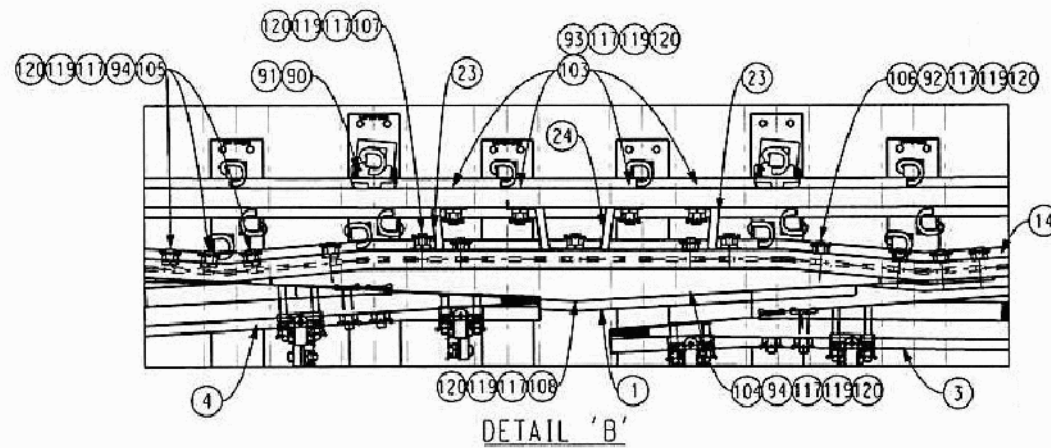
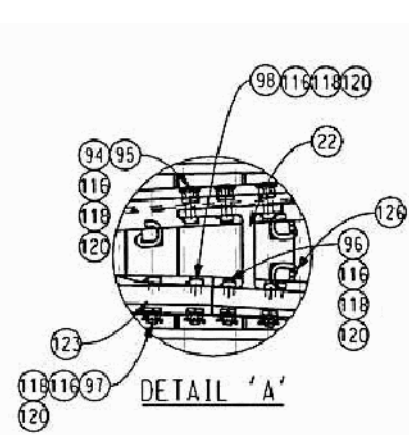


NO 9 DOUBLE SLIP SWITCH LAYOUT



NOTES:

1. ALL MEASUREMENTS GIVEN AT 5/8" BELOW TOP OF RAIL
2. SEE SD-2802 FOR BILL OF MATERIAL

PENINSULA CORRIDOR JOINT POWERS BOARD

STANDARD DRAWINGS

REV	DATE	BY	CHK	APP	DESCRIPTION

APPROVED BY:
Bernard Anzures *Steph Chen*
 ENGINEERING MANAGER DEPUTY DIRECTOR OF ENGINEERING



SPECIAL TRACKWORK
 NO 9 DOUBLE SLIP
 ON TIMBER TIES

CADD FILE NO.: SD-2801	
REV 0	DATE 093011
STANDARD NO.: SD-2801	