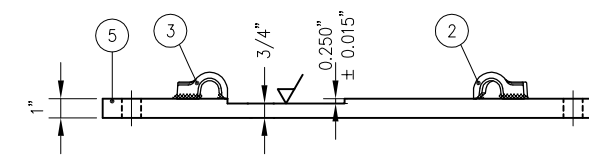
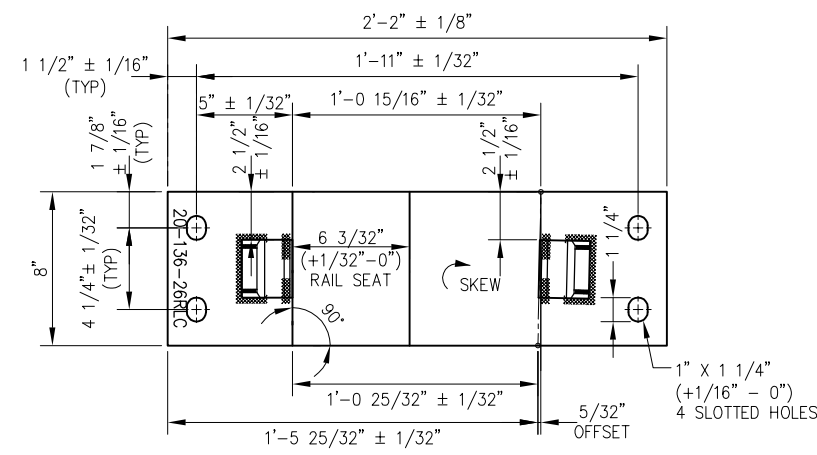
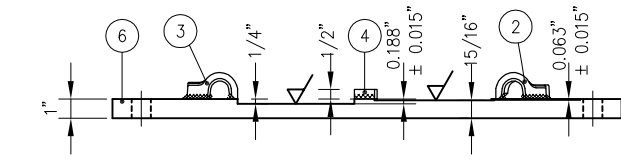
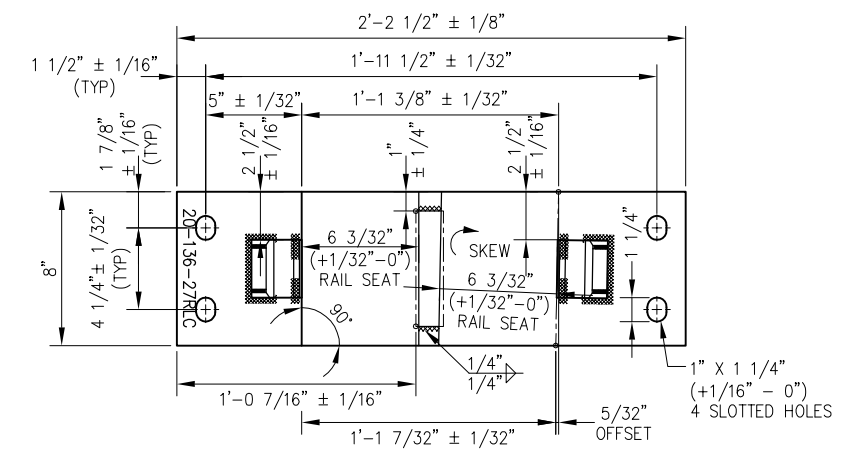


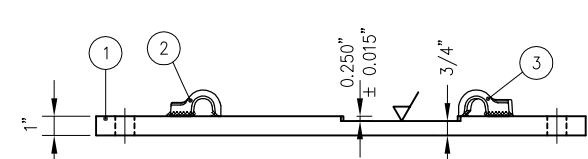
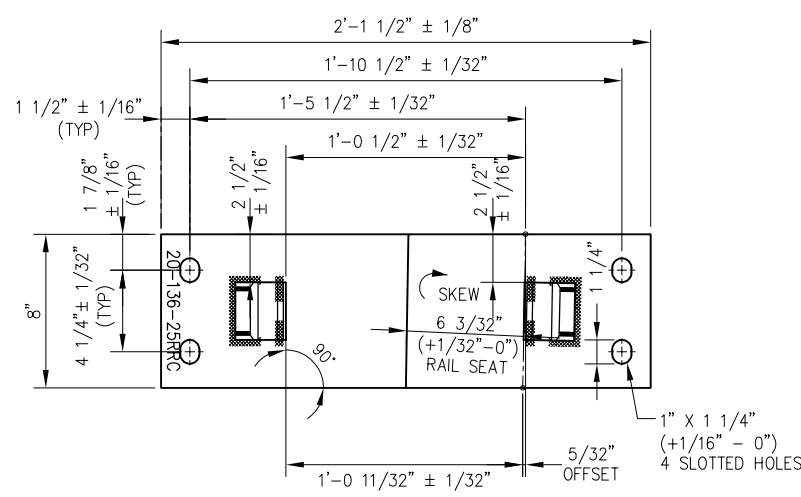
SWITCH PLATE P20-136-25RLC



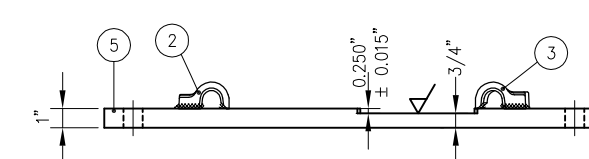
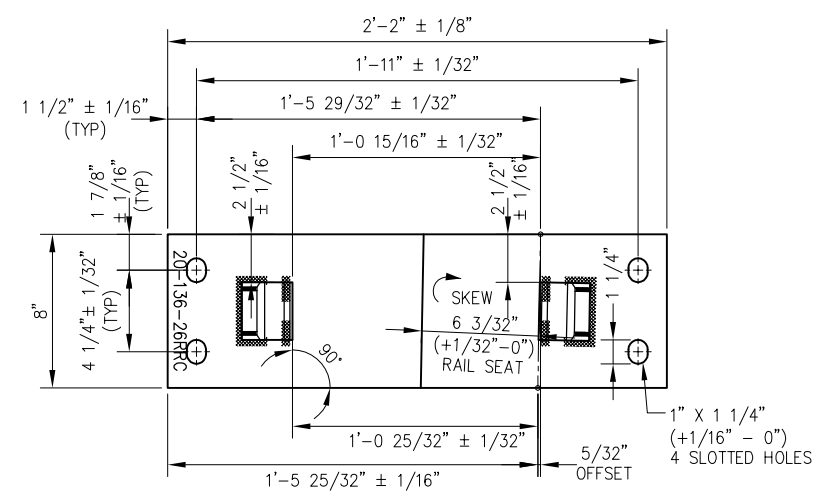
SWITCH PLATE P20-136-26RLC



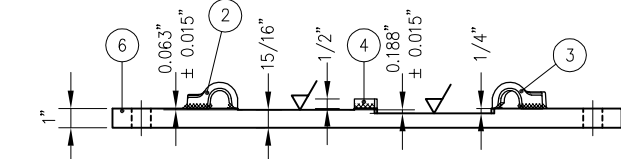
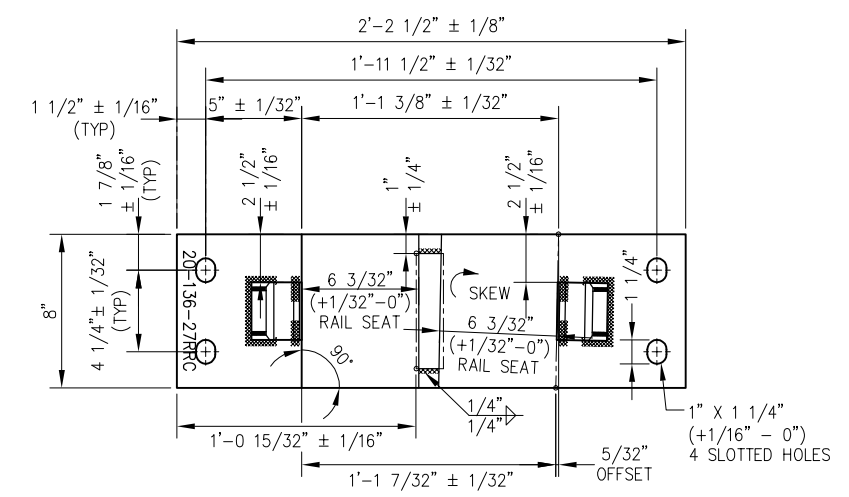
SWITCH PLATE P20-136-27RLC



SWITCH PLATE P20-136-25RRC



SWITCH PLATE P20-136-26RRC



SWITCH PLATE P20-136-27RRC

BILL OF MATERIALS	
ITEM	DESCRIPTION
1	FLAT BAR, ASTM A36, 1" x 8" x 2'-1 1/2"
2	SHOULDER, PANDROL, FORGED TONGUELESS, TYPE 1
3	SHOULDER, PANDROL, FORGED TONGUELESS, TYPE 5

BILL OF MATERIALS	
ITEM	DESCRIPTION
4	FLAT BAR, ASTM A36, 1/2" x 6" x 1 7/16"
5	FLAT BAR, ASTM A36, 1" x 8" x 2'-2"
6	FLAT BAR, ASTM A36, 1" x 8" x 2'-2 1/2"

NOTES:

1. I.D. CHARACTERS SHALL BE 1/2" MINIMUM HEIGHT CLEARLY STAMPED AS SHOWN
2. WELDS SHALL BE DRESSED FLUSH WITH SHOULDER & NOT TO PROTRUDE INTO RAIL SEAT
3. SLOTTED HOLE CENTERS ARE INDICATED ON DRAWING

REV	DATE	BY	CHK	APP	DESCRIPTION

PENINSULA CORRIDOR JOINT POWERS BOARD		STANDARD DRAWINGS		CADD FILE NO: SD-2747
APPROVED BY: <i>Bernard Anzures</i> ENGINEERING MANAGER		 1250 San Carlos Avenue San Carlos, CA 94070		REV 0 DATE 093011
DEPUTY DIRECTOR OF ENGINEERING <i>Steph Chen</i>		SPECIAL TRACKWORK NO 20 TURNOUT SWITCH PLATES FOR RH TURNOUT 20-25RLC/RRC THROUGH 20-27RLC/RRC		STANDARD NO.: SD-2747