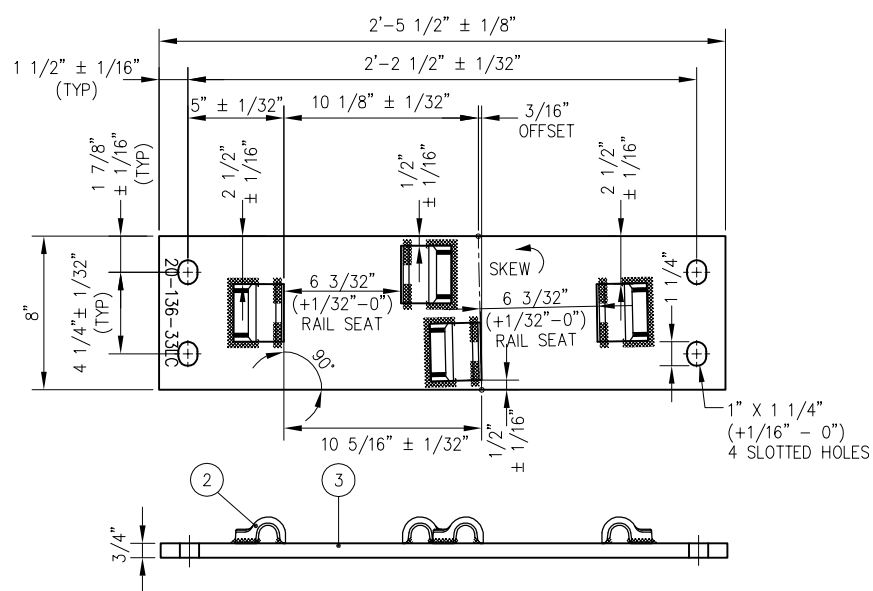
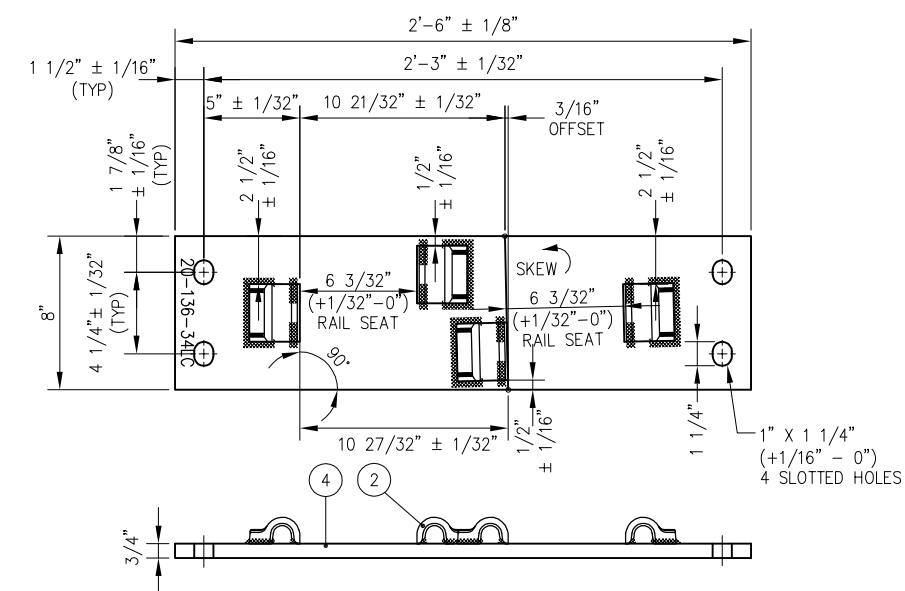


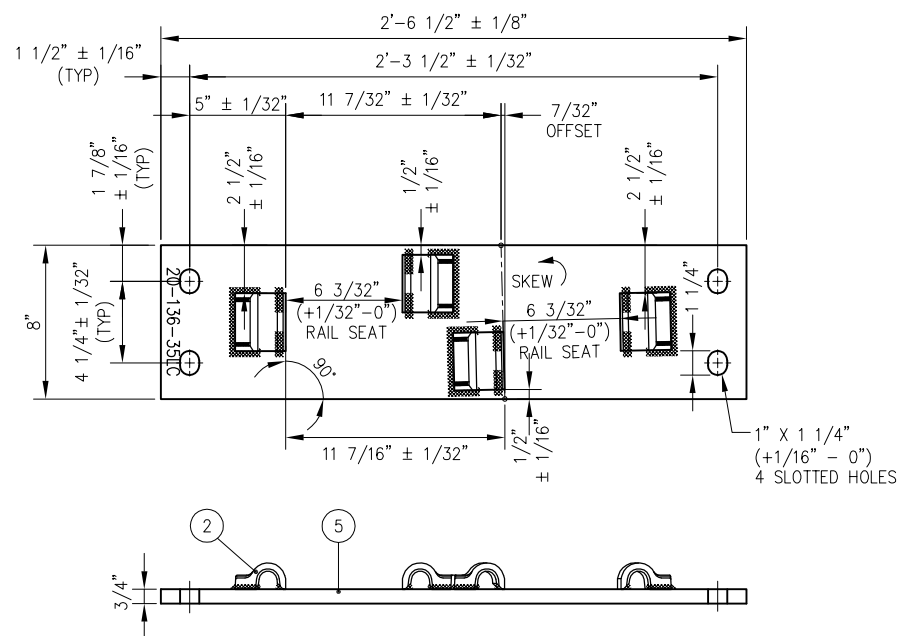
**SWITCH PLATE P20-136-32LC**



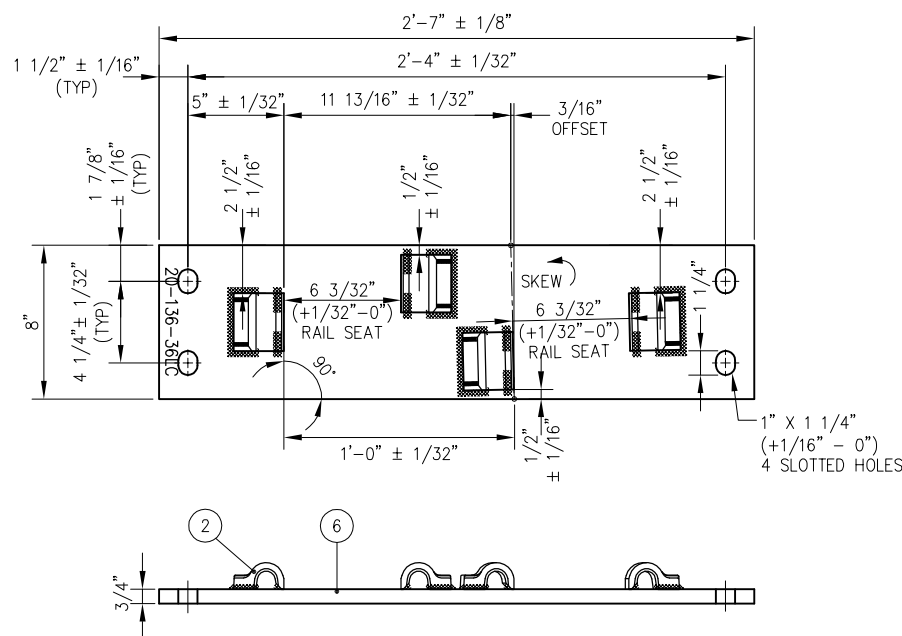
**SWITCH PLATE P20-136-33LC**



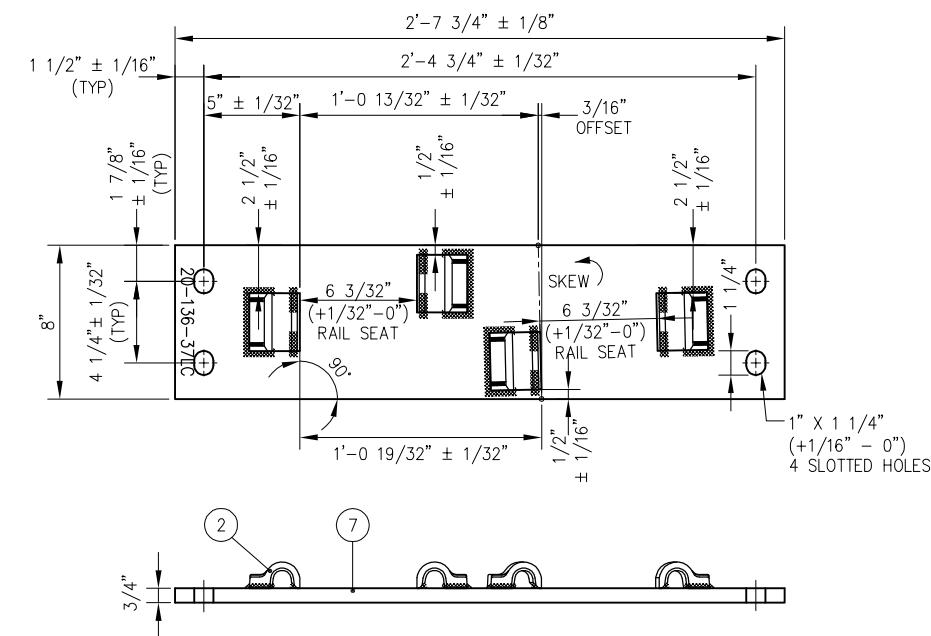
**SWITCH PLATE P20-136-34LC**



**SWITCH PLATE P20-136-35LC**



**SWITCH PLATE P20-136-36LC**



**SWITCH PLATE P20-136-37LC**

| BILL OF MATERIALS |  |
|-------------------|--|
| ITEM              | DESCRIPTION                                  |
| 1                 | FLAT BAR, ASTM A36, 3/4" x 8" x 2'-5"        |
| 2                 | SHOULDER, PANDROL, FORGED TONGUELESS, TYPE 1 |
| 3                 | FLAT BAR, ASTM A36, 3/4" x 8" x 2'-5 1/2"    |
| 4                 | FLAT BAR, ASTM A36, 3/4" x 8" x 2'-6"        |

| BILL OF MATERIALS |   |
|-------------------|---|
| ITEM              | DESCRIPTION                               |
| 5                 | FLAT BAR, ASTM A36, 3/4" x 8" x 2'-6 1/2" |
| 6                 | FLAT BAR, ASTM A36, 3/4" x 8" x 2'-7"     |
| 7                 | FLAT BAR, ASTM A36, 3/4" x 8" x 2'-7 1/4" |

**NOTES:**

- I.D. CHARACTERS TO BE 1/2" MINIMUM HEIGHT CLEARLY STAMPED AS SHOWN
- WELDS TO BE DRESSED FLUSH WITH SHOULDER & NOT TO PROTRUDE INTO RAIL SEAT
- SLOTTED HOLE CENTERS ARE INDICATED ON DRAWING

**PENINSULA CORRIDOR JOINT POWERS BOARD**

APPROVED BY:

*Bernard Anzures* *Steph Chen*  
 ENGINEERING MANAGER DEPUTY DIRECTOR OF ENGINEERING



**STANDARD DRAWINGS**

SPECIAL TRACKWORK  
 NO 20 TURNOUT  
 SWICH PLATES FOR LH TURNOUT  
 20-32LC THROUGH 20-37LC

|                        |        |
|------------------------|--------|
| CADD FILE NO.: SD-2745 |        |
| REV                    | DATE   |
| 0                      | 093011 |
| SPECIAL TRACKWORK      |        |
| STANDARD NO.: SD-2745  |        |

| REV | DATE | BY | CHK | APP | DESCRIPTION |
|-----|------|----|-----|-----|-------------|
|     |      |    |     |     |             |
|     |      |    |     |     |             |
|     |      |    |     |     |             |
|     |      |    |     |     |             |