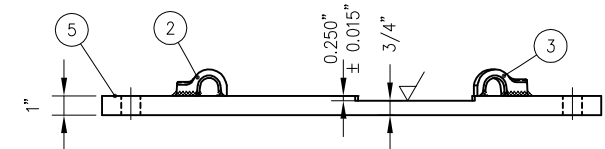
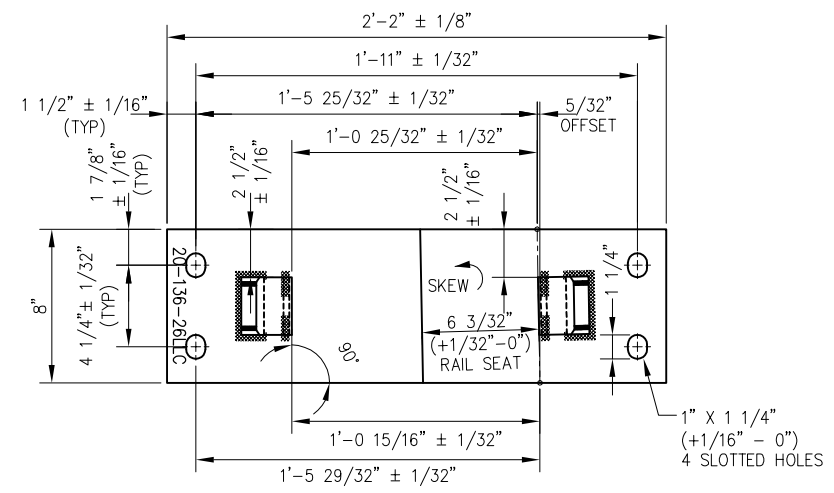
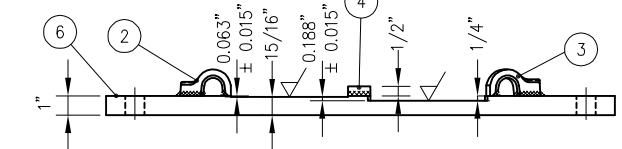
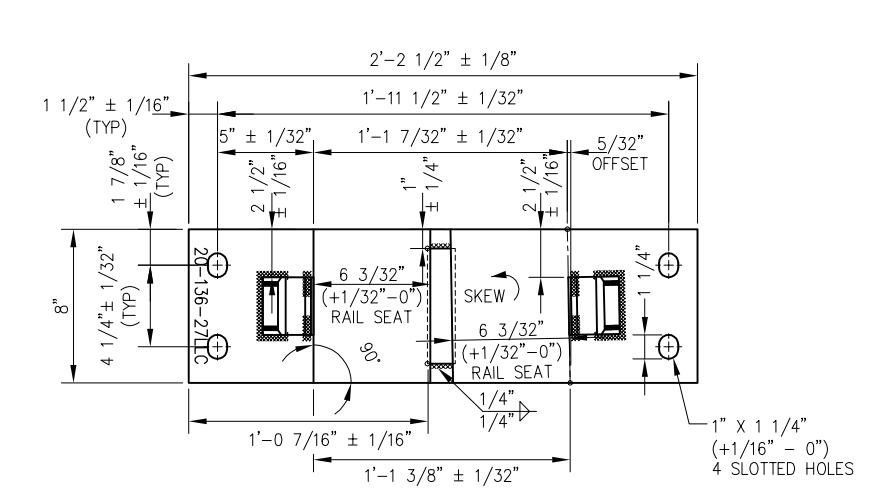


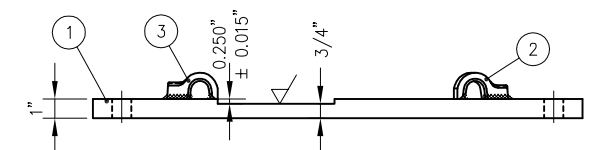
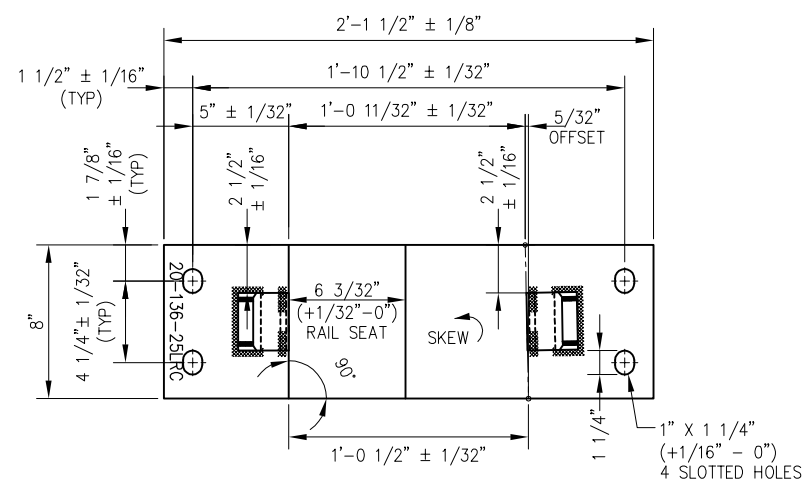
SWITCH PLATE P20-136-25LLC



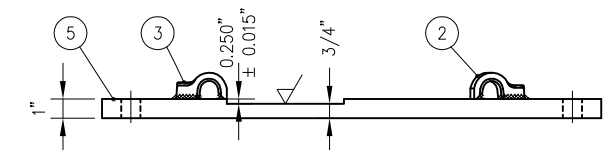
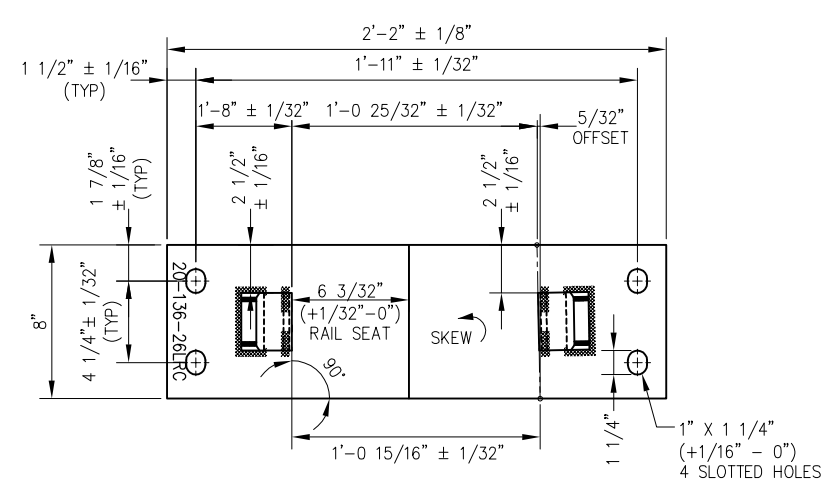
SWITCH PLATE P20-136-26LLC



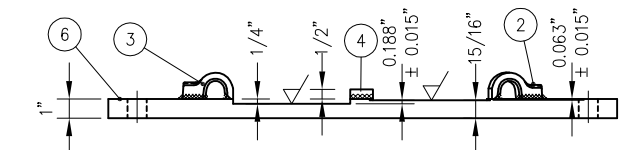
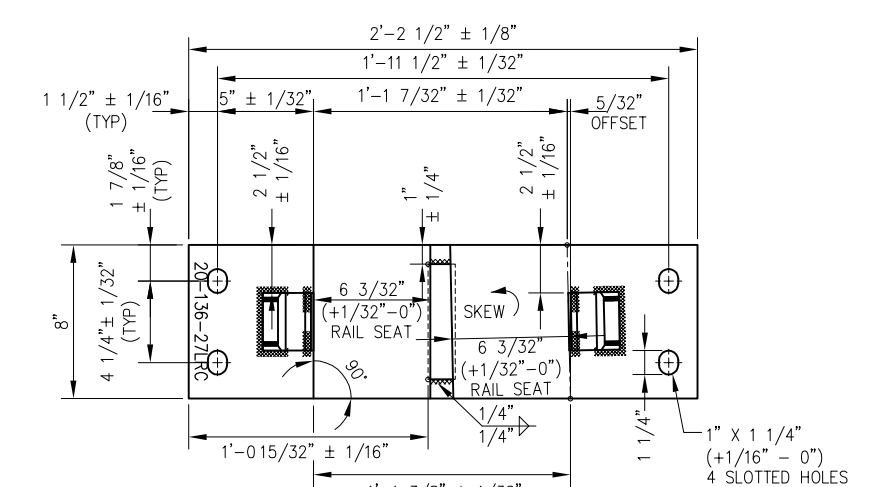
SWITCH PLATE P20-136-27LLC



SWITCH PLATE P20-136-25LRC



SWITCH PLATE P20-136-26LRC



SWITCH PLATE P20-136-27LRC

BILL OF MATERIALS	
ITEM	DESCRIPTION
1	FLAT BAR, ASTM A36, 1" x 8" x 2'-1 1/2"
2	SHOULDER, PANDROL, FORGED TONGUELESS, TYPE 1
3	SHOULDER, PANDROL, FORGED TONGUELESS, TYPE 5

BILL OF MATERIALS	
ITEM	DESCRIPTION
4	FLAT BAR, ASTM A36, 1/2" x 6" x 1 7/16"
5	FLAT BAR, ASTM A36, 1" x 8" x 2'-2"
6	FLAT BAR, ASTM A36, 1" x 8" x 2'-2 1/2"

NOTES:

1. I.D. CHARACTERS SHALL BE 1/2" MINIMUM HEIGHT CLEARLY STAMPED AS SHOWN
2. WELDS SHALL BE DRESSED FLUSH WITH SHOULDER & NOT TO PROTRUDE INTO RAIL SEAT
3. SLOTTED HOLE CENTERS ARE INDICATED ON DRAWING

REV	DATE	BY	CHK	APP	DESCRIPTION

PENINSULA CORRIDOR JOINT POWERS BOARD

APPROVED BY:

Bernard Anzures *Steph Chen*

ENGINEERING MANAGER DEPUTY DIRECTOR OF ENGINEERING

1250 San Carlos Avenue
San Carlos, CA 94070

STANDARD DRAWINGS

SPECIAL TRACKWORK
NO 20 TURNOUT
SWITCH PLATES FOR LH TURNOUT
20-25LLC/LRC THROUGH 20-27LLC/LRC

CADD FILE NO: SD-2743	
REV 0	DATE 093011
SPECIAL TRACKWORK	
STANDARD NO.: SD-2743	