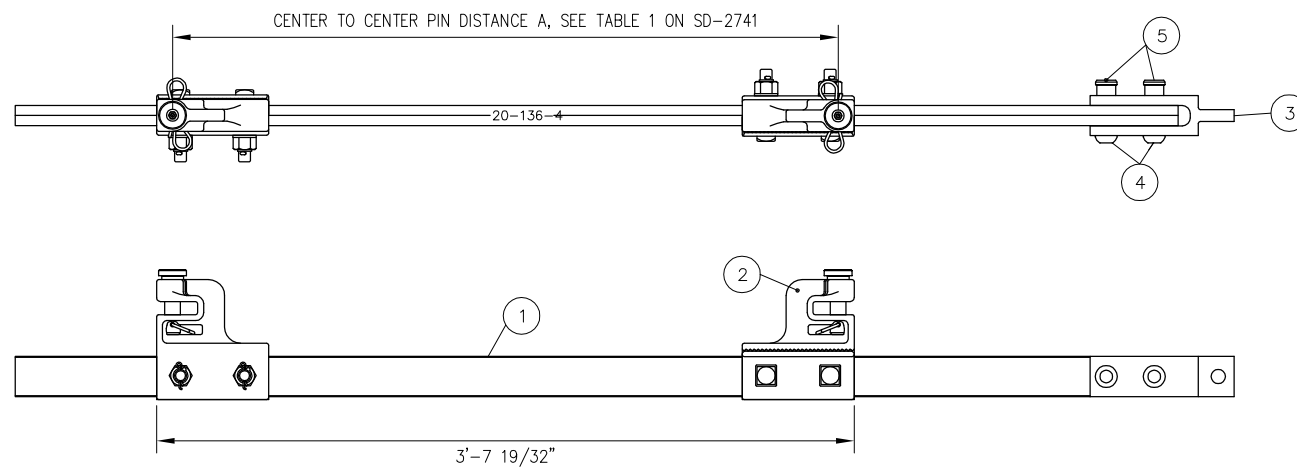
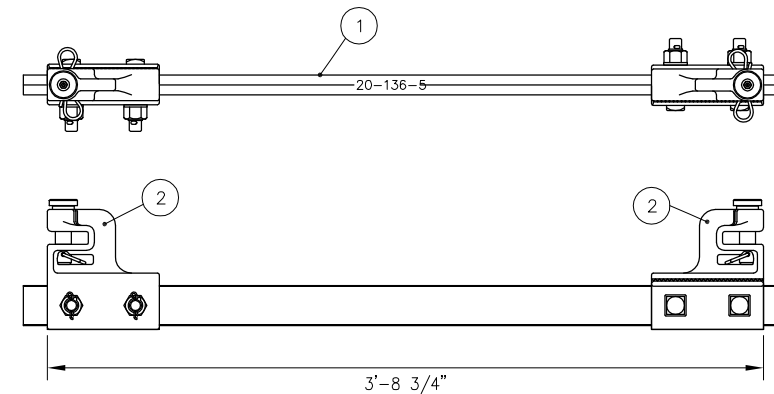


BILL OF MATERIALS FOR SWITCH ROD 20-136-4			
ITEM	QTY	DESCRIPTION	DWG NO
1	1	SWITCH ROD 20-136-4	-
2	2	SWITCH CLIP ASSEMBLY, ADJUSTABLE, FOR HOLLOW TIES	-
3	1	CONNECTOR LUG FOR REAR DRIVE ROD	-
4	2	HUCK BOLT, 3/4" DIA (C50LR-BR24-36)	-
5	2	HUCK COLLAR, 3/4" DIA (LC-2R24B)	-

BILL OF MATERIALS FOR SWITCH ROD 20-136-5			
ITEM	QTY	DESCRIPTION	DWG NO
1	1	SWITCH ROD 20-136-5	-
2	2	SWITCH CLIP ASSEMBLY, ADJUSTABLE, FOR HOLLOW TIES	-



SWITCH ROD ASSEMBLY 20-136-4



SWITCH ROD ASSEMBLY 20-136-5



NOTES:

1. ROD IDENTIFICATION SHALL BE ENGRAVED ON ROD CLEARLY AS SHOWN, 3/8" MIN HEIGHT

REV	DATE	BY	CHK	APP	DESCRIPTION

PENINSULA CORRIDOR JOINT POWERS BOARD

APPROVED BY:

ENGINEERING MANAGER DEPUTY DIRECTOR OF ENGINEERING

STANDARD DRAWINGS

SPECIAL TRACKWORK
 NO 20 TURNOUT
 HOLLOW STEEL TIE SWITCH RODS
 20-4 AND 20-5

CADD FILE NO.:		SD-2742
REV	DATE	
0	093011	
SPECIAL TRACKWORK		
STANDARD NO.:		SD-2742

