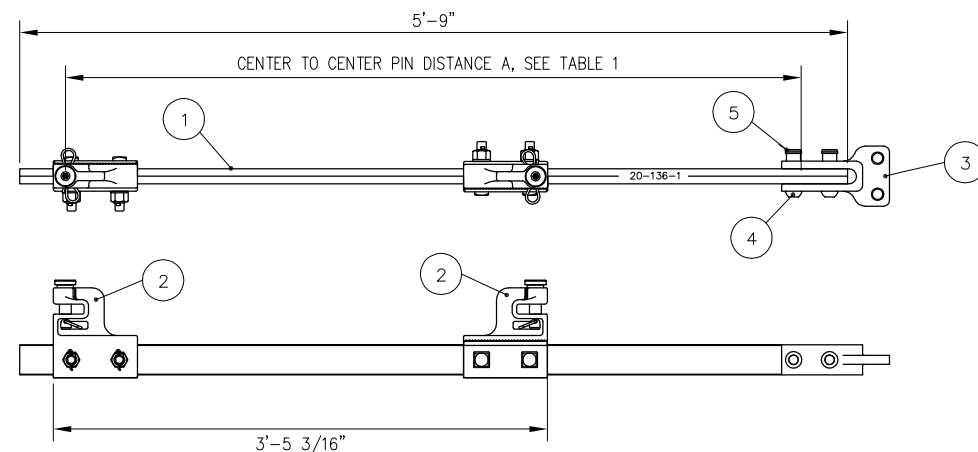
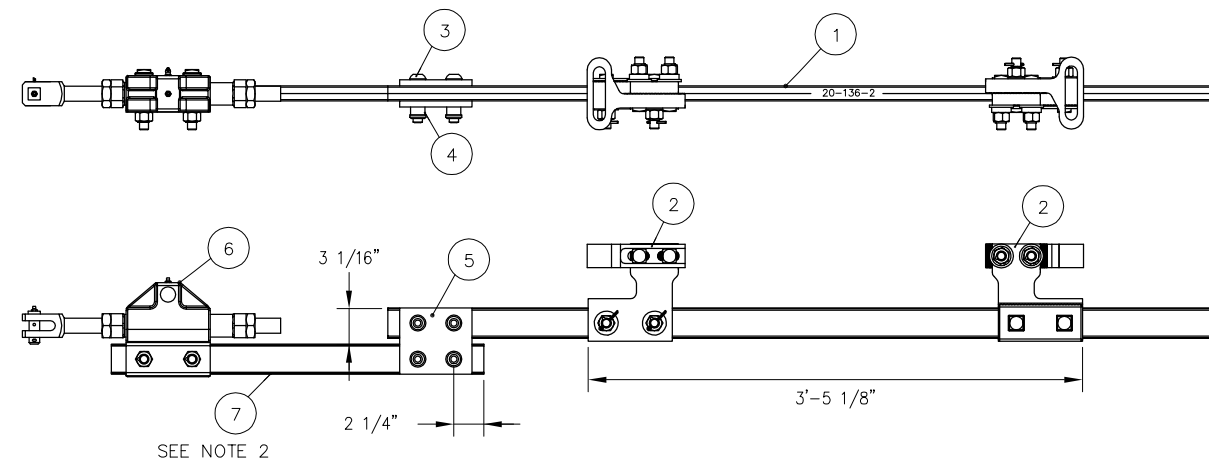


BILL OF MATERIALS FOR SWITCH ROD 20-136-1			
ITEM	QTY	DESCRIPTION	DWG NO
1	1	SWITCH ROD 20-136-1	-
2	2	SWITCH CLIP ASSEMBLY, ADJUSTABLE, FOR HOLLOW TIE COMPOSITE RODS	-
3	1	CONNECTOR LUG FOR POINT DETECTOR/LOCK RODS	-
4	2	HUCK BOLT, 3/4" DIA (C50LR-BR24-36)	-
5	2	HUCK COLLAR, 3/4" DIA (LC-2R24B)	-



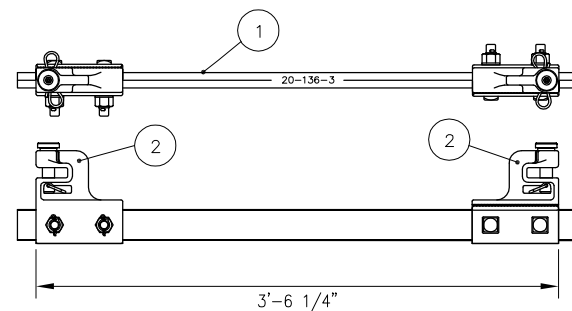
SWITCH ROD ASSEMBLY 20-136-1

BILL OF MATERIALS FOR SWITCH ROD 20-136-2			
ITEM	QTY	DESCRIPTION	DWG NO
1	1	BLUE ROD, PULTRUDED COMPOSITE, 1 1/4" x 2 1/4" x 5'-10" LONG, 20-136-2	-
2	2	CLIP/LUG ASSEMBLY, HST SWITCH, ANTI-ROLLOVER DESIGN, LH	-
3	4	HUCK BOLT, 3/4" DIA (C50LR-BR24-36)	-
4	4	HUCK COLLAR, 3/4" DIA (LC-2R24B)	-
5	2	SPLICE PLATE, FOR BLUE ROD BASKET ASSEMBLY RODS	-
6	1	BASKET/ROD ASSEMBLY FOR HST WITH ROTARY ASSIST	-
7	1	BLUE ROD, PULTRUDED COMPOSITE, 1 1/4" x 2 1/4" x 2'-7" LONG, 1-B	-



SWITCH ROD ASSEMBLY 20-136-2

BILL OF MATERIALS FOR SWITCH ROD 20-136-3			
ITEM	QTY	DESCRIPTION	DWG NO
1	1	SWITCH ROD 20-136-3	-
2	2	SWITCH CLIP ASSEMBLY, ADJUSTABLE, FOR HOLLOW TIE	-



SWITCH ROD ASSEMBLY 20-136-3


TABLE 1

ROD #	A
SWITCH ROD ASSEMBLY 20-136-1	3'- 3 15/16"
SWITCH ROD ASSEMBLY 20-136-2	3'- 4 1/8"
SWITCH ROD ASSEMBLY 20-136-3	3'- 4 13/16"
SWITCH ROD ASSEMBLY 20-136-4	3'- 5 7/8"
SWITCH ROD ASSEMBLY 20-136-5	3'- 7"

NOTES:

- ROD IDENTIFICATION SHALL BE ENGRAVED ON ROD CLEARLY AS SHOWN, 3/8" MIN HEIGHT
- SWITCH RODS SHALL BE PARALLEL WITHIN 1/16" OVER LENGTH OF 1-B ROD

REV	DATE	BY	CHK	APP	DESCRIPTION

<b>PENINSULA CORRIDOR JOINT POWERS BOARD</b>		<b>STANDARD DRAWINGS</b>	CADD FILE NO.: SD-2741
APPROVED BY: <i>Bernard Anagnostis</i> <i>Steph Chen</i>		<b>SPECIAL TRACKWORK NO 20 TURNOUT HOLLOW STEEL TIE SWITCH RODS 20-1, 20-2 AND 20-3</b>	REV 0
ENGINEERING MANAGER      DEPUTY DIRECTOR OF ENGINEERING			DATE 093011
 <small>1250 San Carlos Avenue San Carlos, CA 94070</small>		STANDARD NO.: SD-2741	