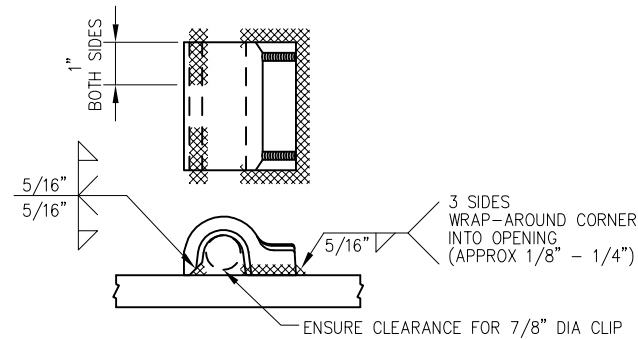


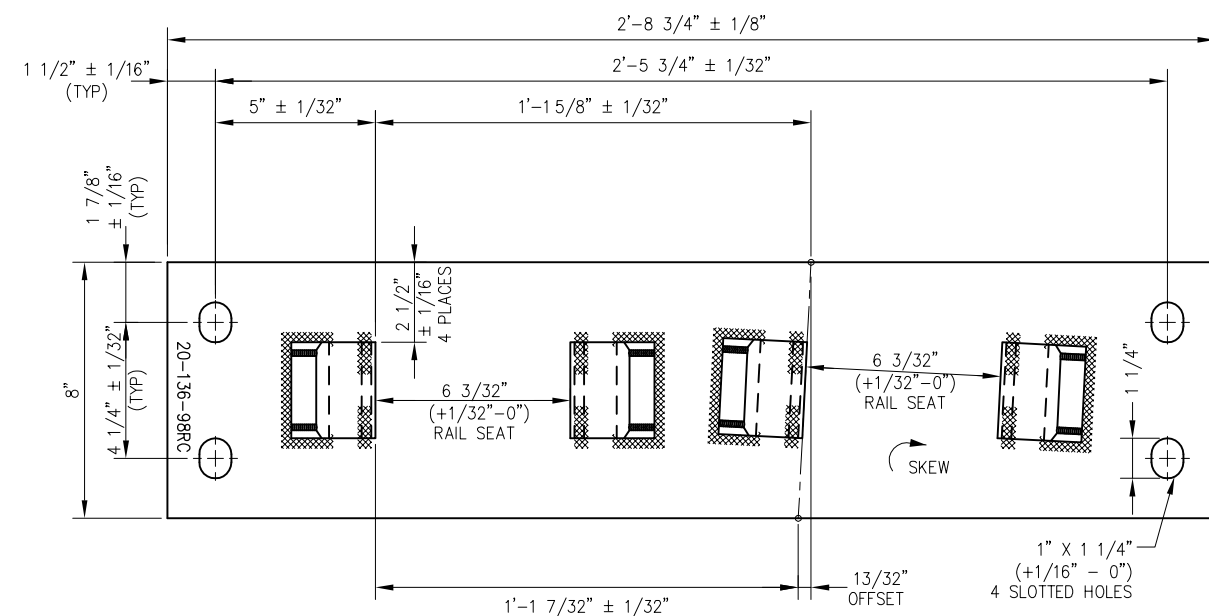
| BILL OF MATERIAL | | | | |
|------------------|-----------------|-----------------|--|--------|
| ITEM | QTY FOR 20-98RC | QTY FOR 20-99RC | DESCRIPTION | DWG NO |
| 1 | 1 | 0 | FLAT BAR, ASTM A36, 3/4" x 8" x 2'-8 3/4" LONG | - |
| 2 | 0 | 1 | FLAT BAR, ASTM A36, 3/4" x 8" x 2'-10" LONG | - |
| 3 | 4 | 4 | SHOULDER, PANDROL, FORGED TONGUELESS, TYPE 1 | - |



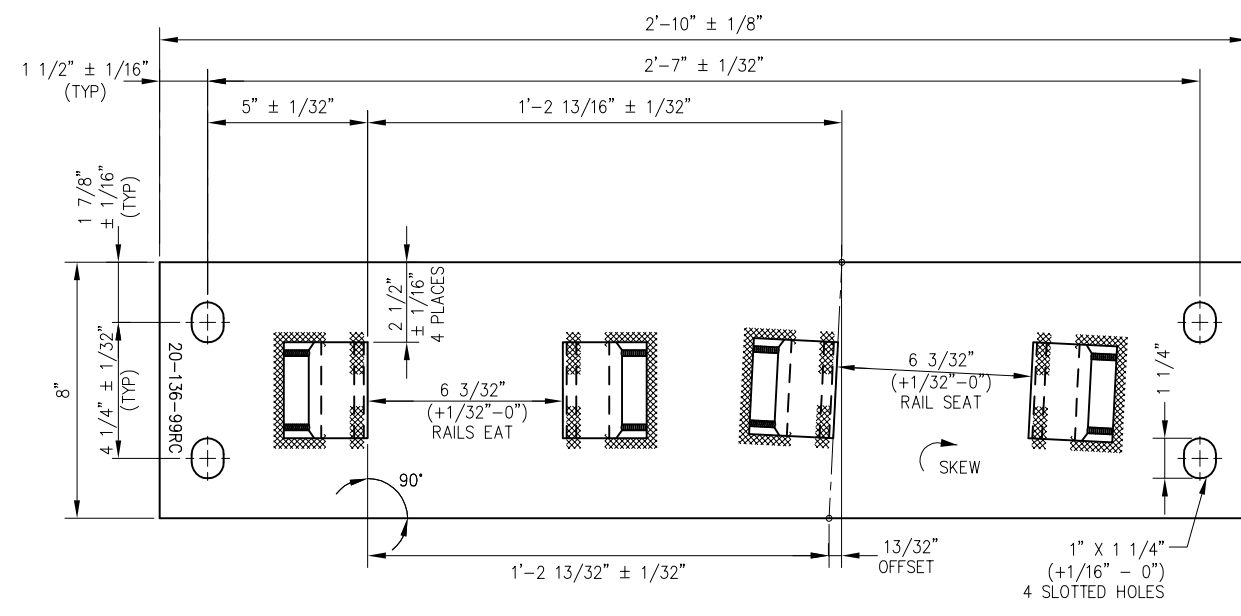
NOTES:

1. I.D. CHARACTERS SHALL BE 1/2" MINIMUM HEIGHT CLEARLY STAMPED AS SHOWN
2. WELDS SHALL BE DRESSED FLUSH WITH SHOULDER & NOT TO PROTRUDE INTO RAIL SEAT
3. SLOTTED HOLE CENTERS ARE INDICATED ON DRAWING

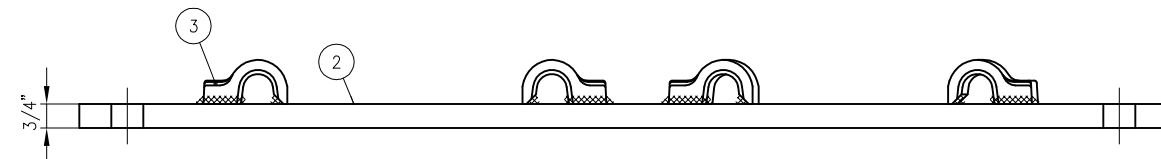
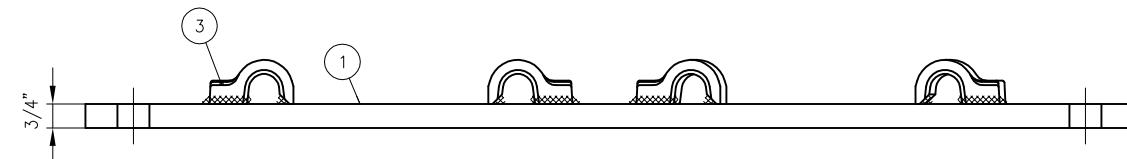
FORGED SHOULDER WELDING DETAIL



FROG BASE PLATE 20-136-98RC





FROG BASE PLATE 20-136-99RC




| REV | DATE | BY | CHK | APP | DESCRIPTION |
|-----|------|----|-----|-----|-------------|
| | | | | | |
| | | | | | |
| | | | | | |

PENINSULA CORRIDOR JOINT POWERS BOARD

APPROVED BY:

ENGINEERING MANAGER DEPUTY DIRECTOR OF ENGINEERING



1250 San Carlos Avenue
 San Carlos, CA 94070

STANDARD DRAWINGS

SPECIAL TRACKWORK
 NO 20 TURNOUT
 WSM FROG RH
 FROG BASE PLATES 20-98RC & 20-99RC

| | |
|-------------------|---------|
| CADD FILE NO.: | SD-2736 |
| REV | DATE |
| 0 | 093011 |
| SPECIAL TRACKWORK | |
| STANDARD NO.: | SD-2736 |