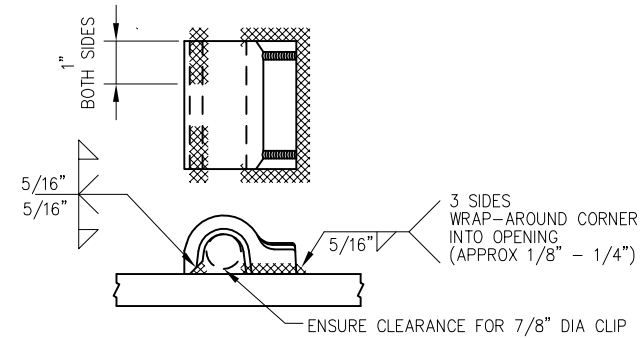


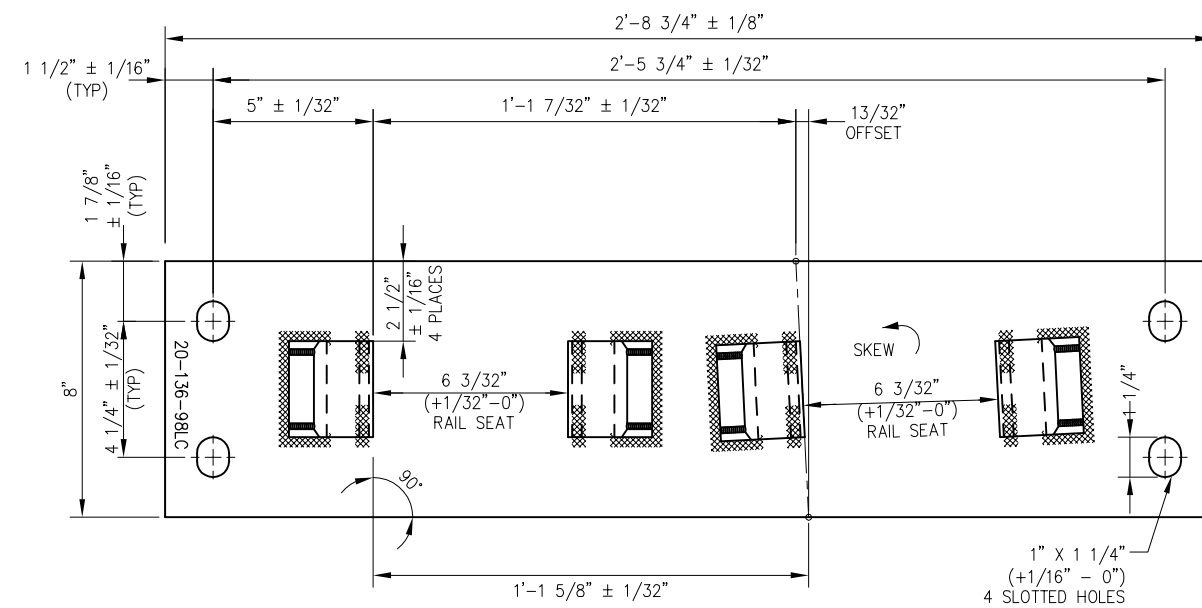
BILL OF MATERIAL				
ITEM	QTY FOR 20-98LC	QTY FOR 20-99LC	DESCRIPTION	DWG NO
1	1	0	FLAT BAR, ASTM A36, 3/4" x 8" x 2'-8 3/4" LONG	-
2	0	1	FLAT BAR, ASTM A36, 3/4" x 8" x 2'-10" LONG	-
3	4	4	SHOULDER, PANDROL, FORGED TONGUELESS, TYPE 1	-



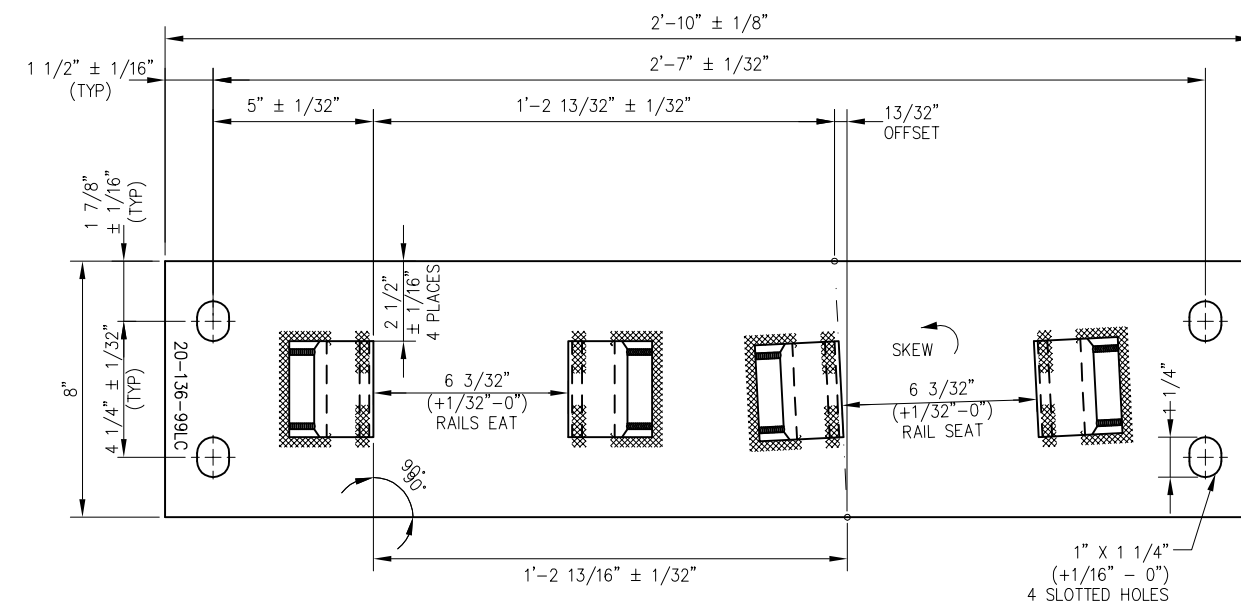
**NOTES:**

1. I.D. CHARACTERS SHALL BE 1/2" MINIMUM HEIGHT CLEARLY STAMPED AS SHOWN
2. WELDS SHALL BE DRESSED FLUSH WITH SHOULDER & NOT TO PROTRUDE INTO RAIL SEAT
3. SLOTTED HOLE CENTERS ARE INDICATED ON DRAWING

**FORGED SHOULDER WELDING DETAIL**



**FROG BASE PLATE 20-136-98LC**

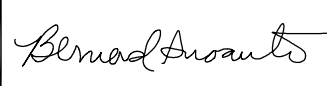



**FROG BASE PLATE 20-136-99LC**


REV	DATE	BY	CHK	APP	DESCRIPTION

**PENINSULA CORRIDOR JOINT POWERS BOARD**

APPROVED BY:

ENGINEERING MANAGER      DEPUTY DIRECTOR OF ENGINEERING



1250 San Carlos Avenue  
 San Carlos, CA 94070

**STANDARD DRAWINGS**

**SPECIAL TRACKWORK**  
**NO 20 TURNOUT**  
**WSM FROG LH**  
**FROG BASE PLATES 20-98LC & 20-99LC**

CADD FILE NO.:	SD-2735
REV	DATE
0	093011
SPECIAL TRACKWORK	
STANDARD NO.:	SD-2735