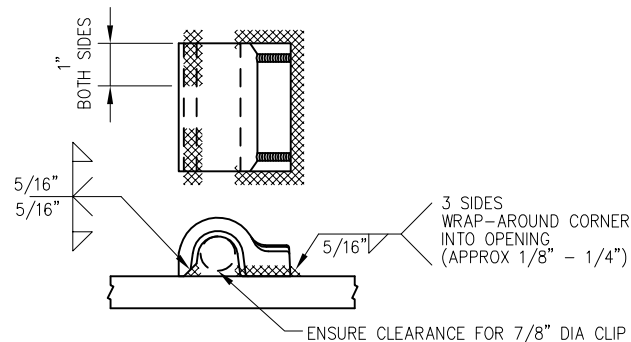


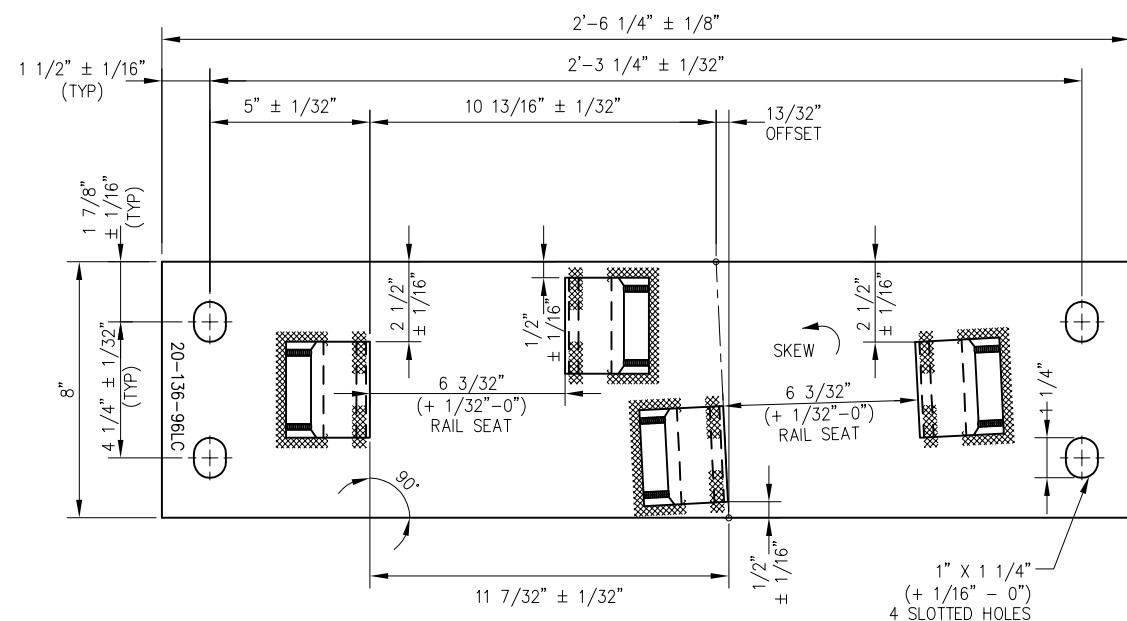
BILL OF MATERIAL				
ITEM	QTY FOR 20-96LC	QTY FOR 20-97LC	DESCRIPTION	DWG NO
1	1	0	FLAT BAR, ASTM A36, 3/4" x 8" x 2'-6 1/4" LONG	-
2	0	1	FLAT BAR, ASTM A36, 3/4" x 8" x 2'-7 1/2" LONG	-
3	4	4	SHOULDER, PANDROL, FORGED TONGUELESS, TYPE 1	-



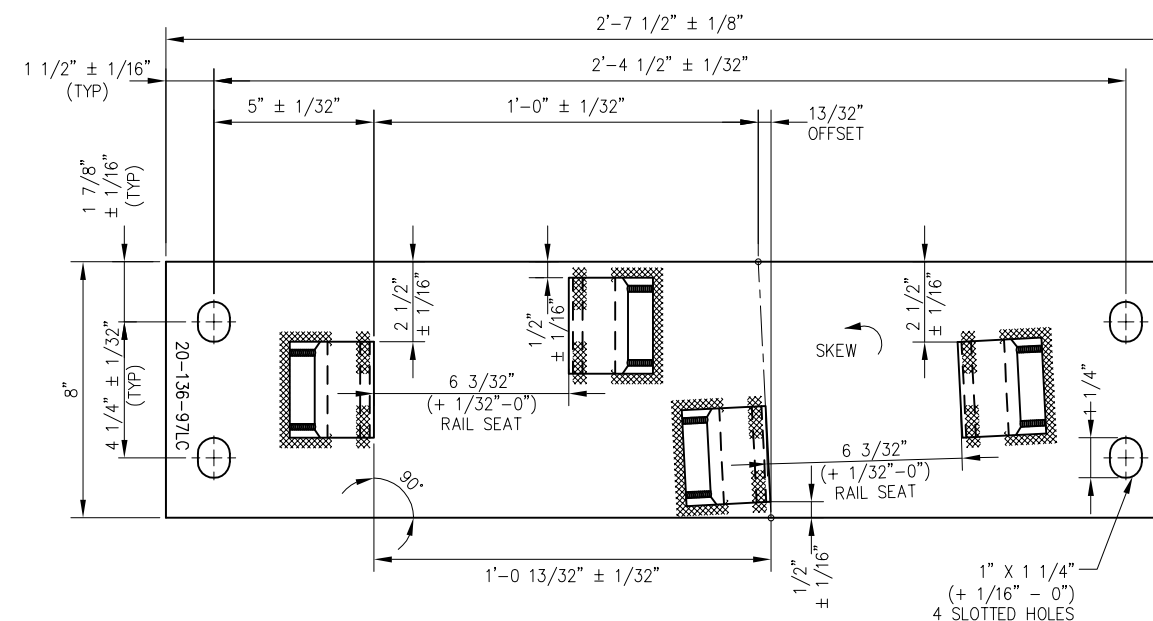
FORGED SHOULDER WELDING DETAIL

NOTES:

1. I.D. CHARACTERS SHALL BE 1/2" MINIMUM HEIGHT CLEARLY STAMPED AS SHOWN
2. WELDS SHALL BE DRESSED FLUSH WITH SHOULDER & NOT TO PROTRUDE INTO RAIL SEAT
3. SLOTTED HOLE CENTERS ARE INDICATED ON DRAWING



FROG BASE PLATE 20-136-96LC





FROG BASE PLATE 20-136-97LC


REV	DATE	BY	CHK	APP	DESCRIPTION

PENINSULA CORRIDOR JOINT POWERS BOARD

APPROVED BY:

ENGINEERING MANAGER DEPUTY DIRECTOR OF ENGINEERING



1250 San Carlos Avenue
 San Carlos, CA 94070

STANDARD DRAWINGS

SPECIAL TRACKWORK
 NO 20 TURNOUT
 WSM FROG LH
 FROG BASE PLATES 20-96LC & 20-97LC

CADD FILE NO.:	SD-2733
REV	DATE
0	093011
SPECIAL TRACKWORK	
STANDARD NO.:	SD-2733