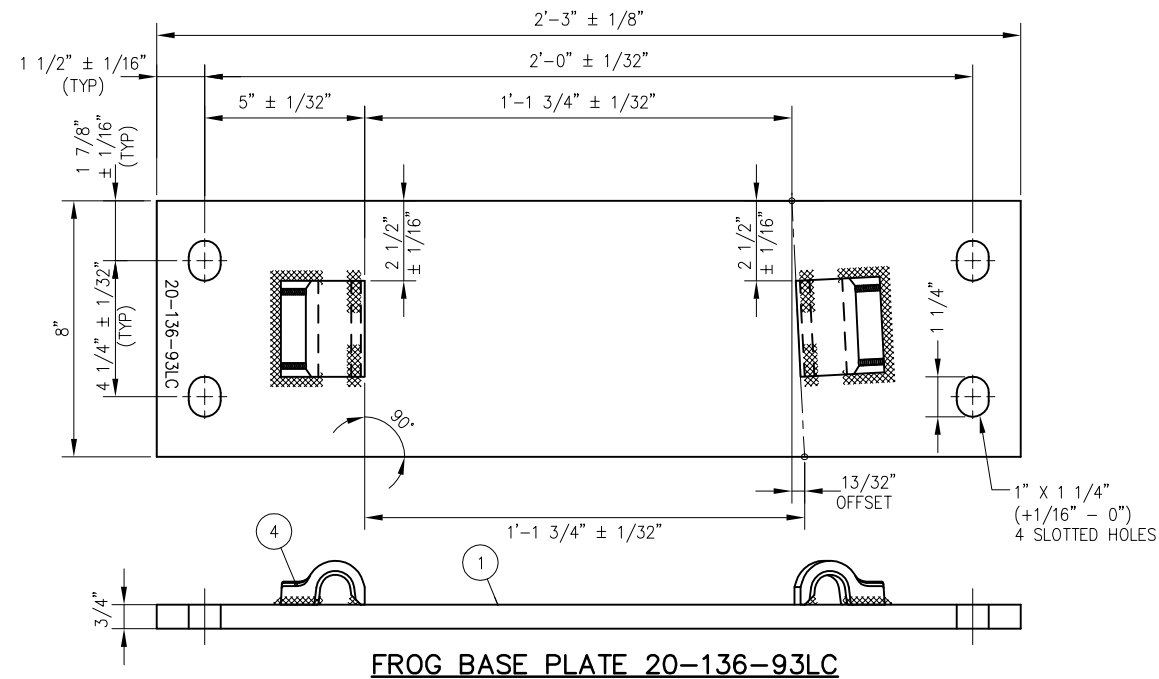
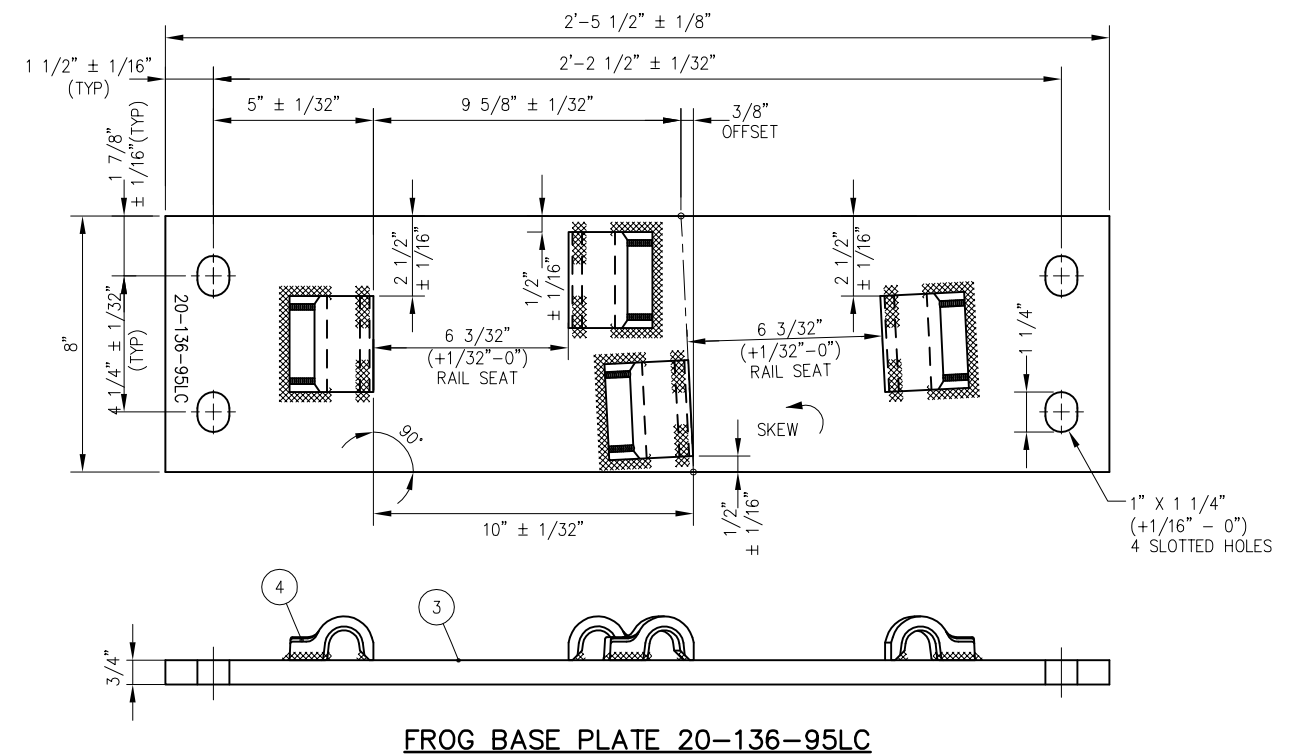
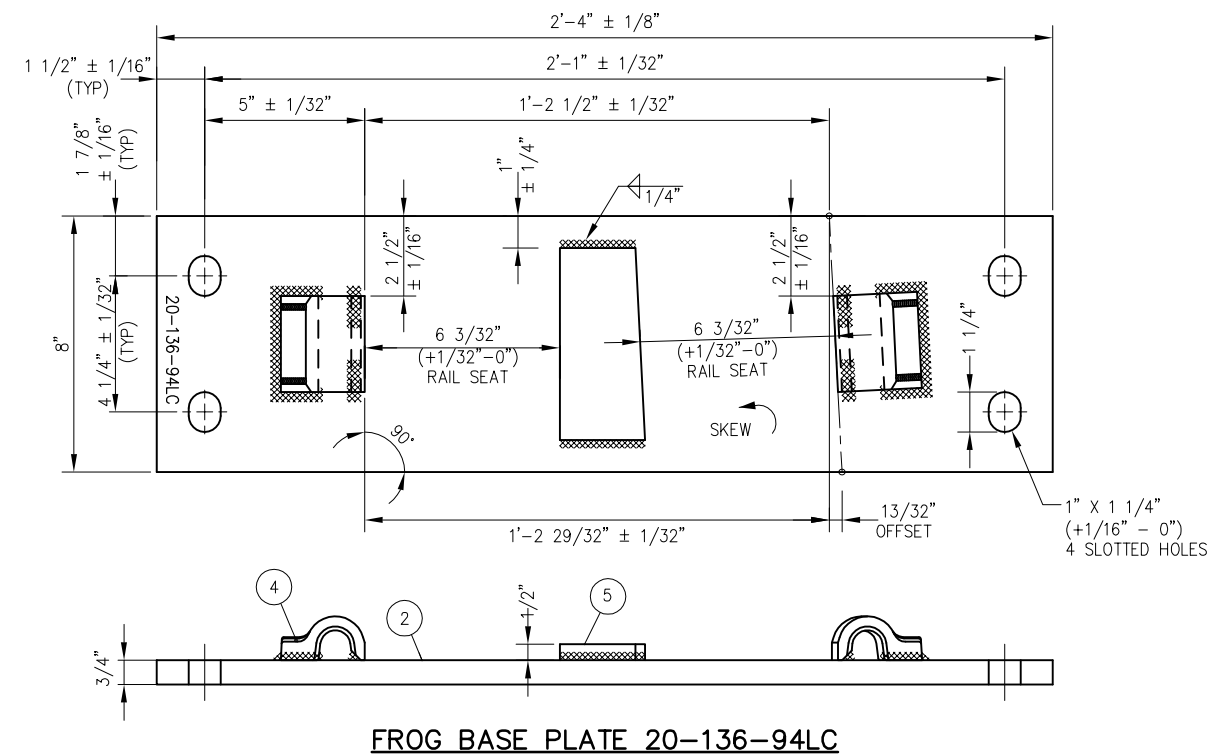
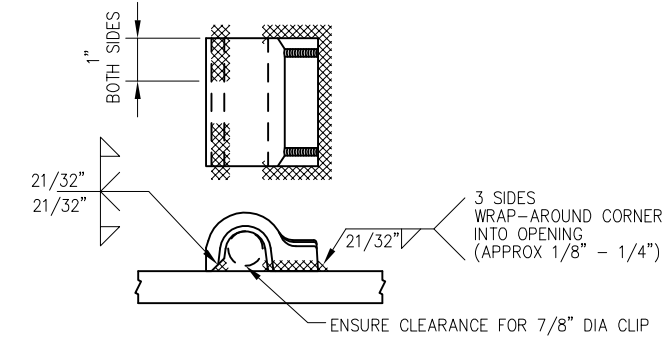


BILL OF MATERIAL					DWG NO
ITEM	QTY FOR 20-93LC	QTY FOR 20-94LC	QTY FOR 20-95LC	DESCRIPTION	
1	1	0	0	FLAT BAR, ASTM A36, 3/4" x 8" x 2'-3" LONG	-
2	0	1	0	FLAT BAR, ASTM A36, 3/4" x 8" x 2'-4" LONG	-
3	0	0	1	FLAT BAR, ASTM A36, 3/4" x 8" x 2'-5 1/2" LONG	-
4	2	2	4	SHOULDER, PANDROL, FORGED TONGUELESS, TYPE 1	-
5	0	1	0	BURNED STOP, 1/2" THICK, TAPERED 2 3/8" TO 2 21/32", 6" LONG	-



NOTES:

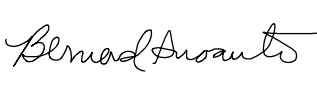

1. I.D. CHARACTERS SHALL BE 1/2" MINIMUM HEIGHT CLEARLY STAMPED AS SHOWN
2. WELDS SHALL BE DRESSED FLUSH WITH SHOULDER & NOT TO PROTRUDE INTO RAIL SEAT
3. SLOTTED HOLE CENTERS ARE INDICATED ON DRAWING




REV	DATE	BY	CHK	APP	DESCRIPTION

PENINSULA CORRIDOR JOINT POWERS BOARD

APPROVED BY:



1250 San Carlos Avenue
San Carlos, CA 94070

ENGINEERING MANAGER DEPUTY DIRECTOR OF ENGINEERING

STANDARD DRAWINGS

SPECIAL TRACKWORK
NO 20 TURNOUT
WSM FROG LH
FROG BASE PLATES 20-93LC, 20-94LC & 20-95LC

CADD FILE NO.: SD-2731	
REV	DATE
0	093011
SPECIAL TRACKWORK	
STANDARD NO.: SD-2731	