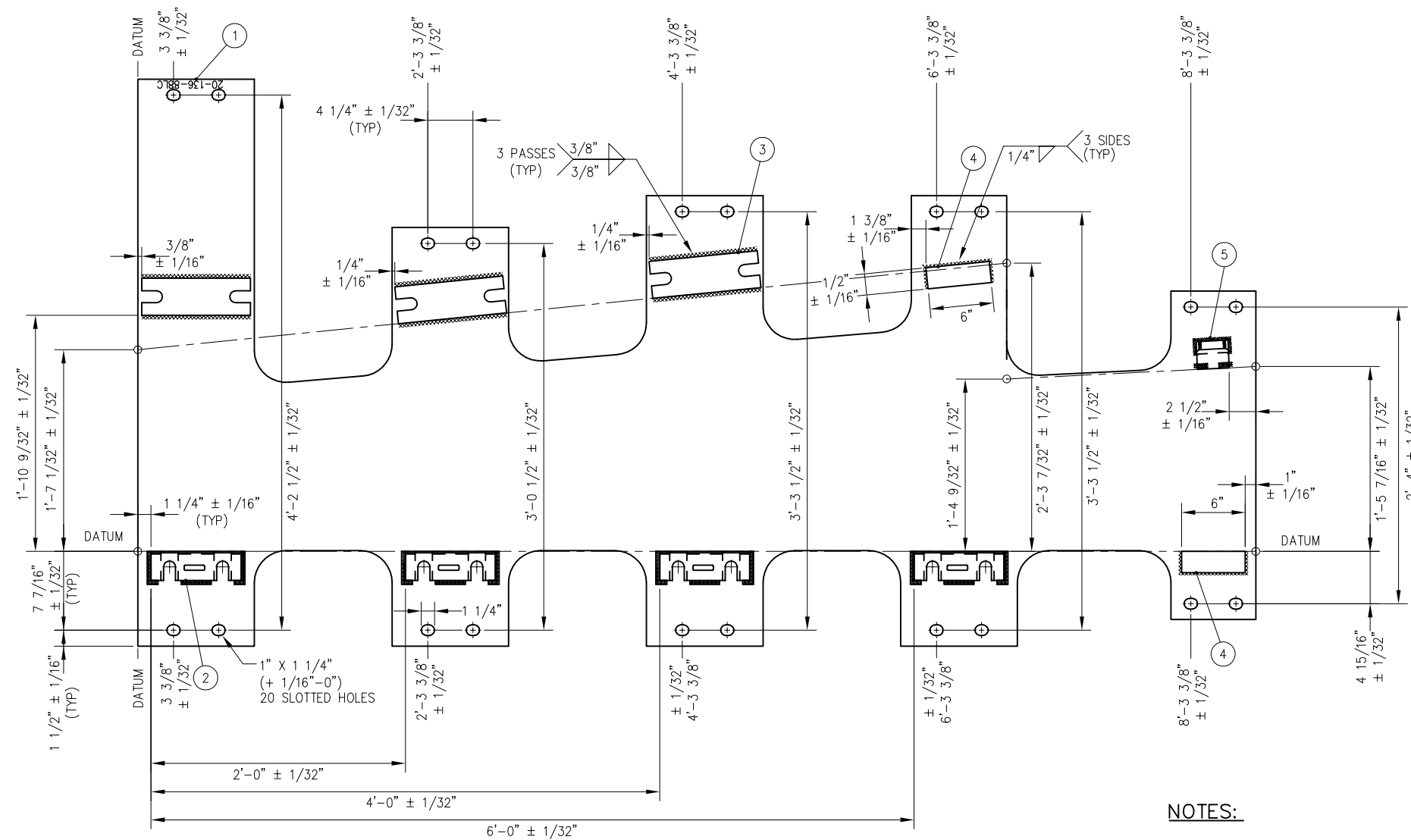
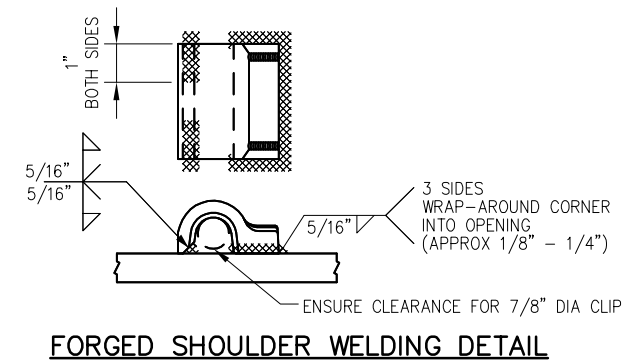


BILL OF MATERIAL			
ITEM	QTY	DESCRIPTION	DWG NO
1	1	BURNED PLATE, ASTM A36, 3/4" THICK	-
2	4	CAPTURE BLOCK FOR PLATE CLIP	-
3	3	CAPTURE BLOCK FOR HORN KEEPER	-
4	2	FLAT BAR, ASTM A36, 1/2" THICK X 2" X 6" LONG	-
5	1	SHOULDER, PANDROL, FORGED TONGUELESS, TYPE 1	-



**FROG BASE PLATE 20-136-88LC**





**NOTES:**

1. I.D. CHARACTERS SHALL BE 1/2" MINIMUM HEIGHT CLEARLY STAMPED AS SHOWN
2. WELDS SHALL BE DRESSED FLUSH WITH SHOULDER AND NOT TO PROTRUDE INTO RAIL SEAT
3. OPENINGS IN BOLT CAPTURE BLOCKS SHALL BE FREE OF WELD AND SPATTER
4. SLOTTED HOLE CENTERS ARE INDICATED ON DRAWING


REV	DATE	BY	CHK	APP	DESCRIPTION

**PENINSULA CORRIDOR JOINT POWERS BOARD**

APPROVED BY:

ENGINEERING MANAGER      DEPUTY DIRECTOR OF ENGINEERING



1250 San Carlos Avenue  
San Carlos, CA 94070

STANDARD DRAWINGS		CADD FILE NO.:
SPECIAL TRACKWORK NO 20 TURNOUT WSM FROG LH FROG BASE PLATE 20-88LC		SD-2729
REV	DATE	
0	093011	
STANDARD NO.:		
		SD-2729