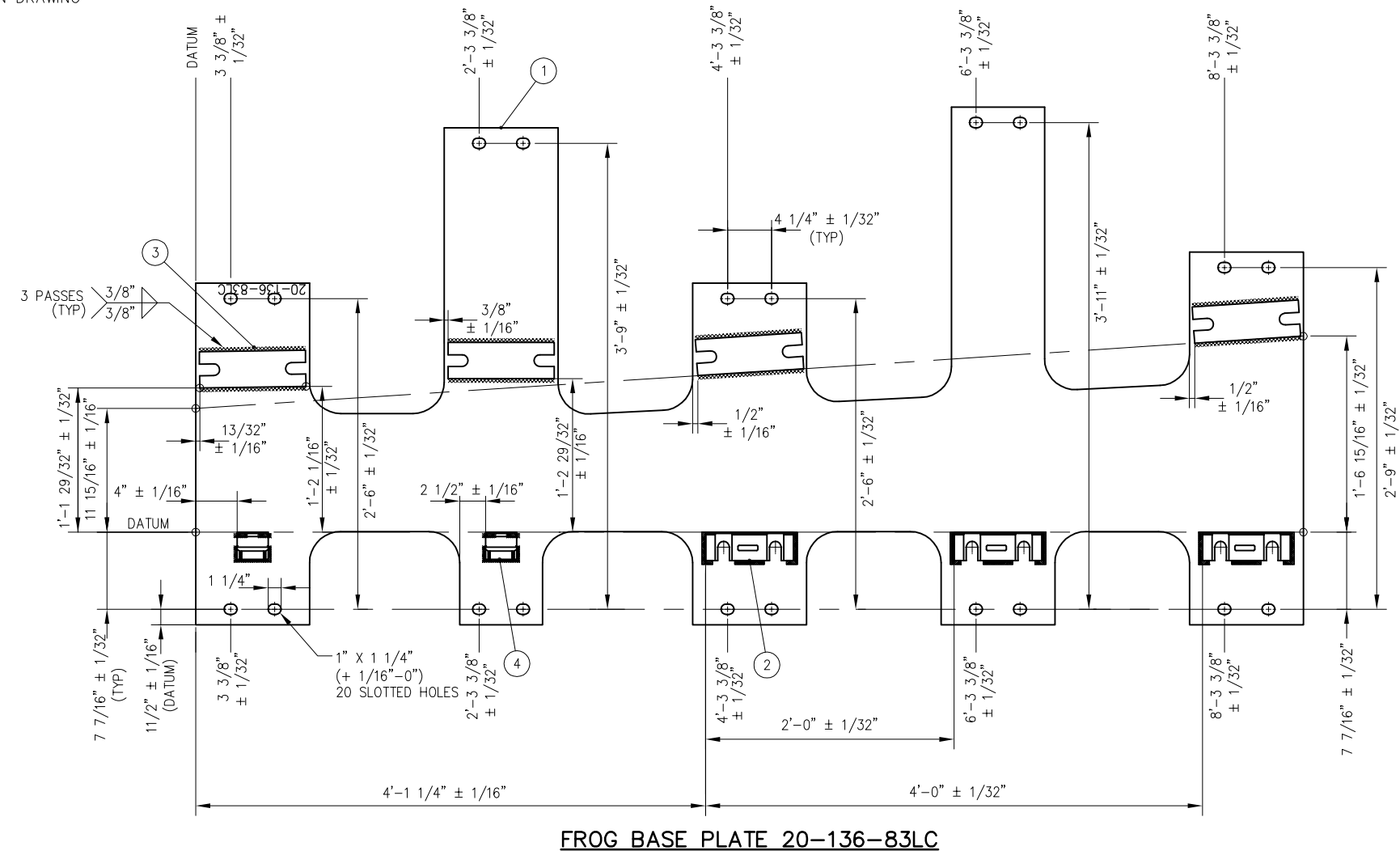
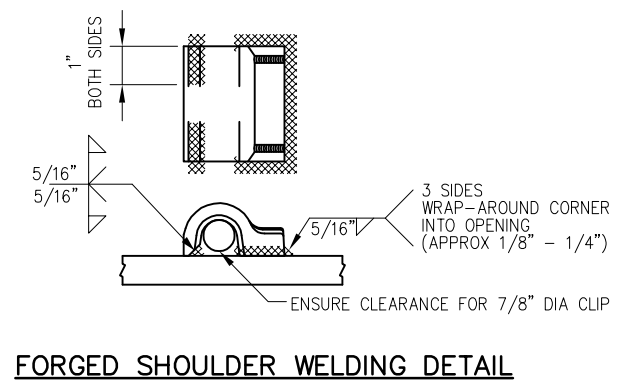


NOTES:

1. I.D. CHARACTERS SHALL BE 1/2" MINIMUM HEIGHT CLEARLY STAMPED AS SHOWN
2. WELDS SHALL BE DRESSED FLUSH WITH SHOULDER & NOT TO PROTRUDE INTO RAIL SEAT
3. OPENINGS IN BOLT CAPTURE BLOCKS SHALL BE FREE OF WELD AND SPATTER
4. SLOTTED HOLE CENTERS ARE INDICATED ON DRAWING

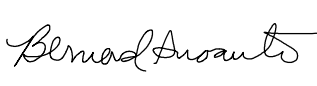

BILL OF MATERIAL			
ITEM	QTY	DESCRIPTION	DWG NO
1	1	BURNED PLATE, ASTM A36, 3/4" THICK	-
2	3	CAPTURE BLOCK FOR PLATE CLIP	-
3	4	CAPTURE BLOCK FOR HORN KEEPER	-
4	2	SHOULDER, PANDROL, FORGED TONGUELESS, TYPE 1	-




REV	DATE	BY	CHK	APP	DESCRIPTION

PENINSULA CORRIDOR JOINT POWERS BOARD

APPROVED BY:

ENGINEERING MANAGER DEPUTY DIRECTOR OF ENGINEERING



1250 San Carlos Avenue
 San Carlos, CA 94070

STANDARD DRAWINGS

SPECIAL TRACKWORK
NO 20 TURNOUT
 WSM FROG LH
 FROG BASE PLATE 20-83LC

CADD FILE NO.: SD-2727	
REV 0	DATE 093011
STANDARD NO.: SD-2727	