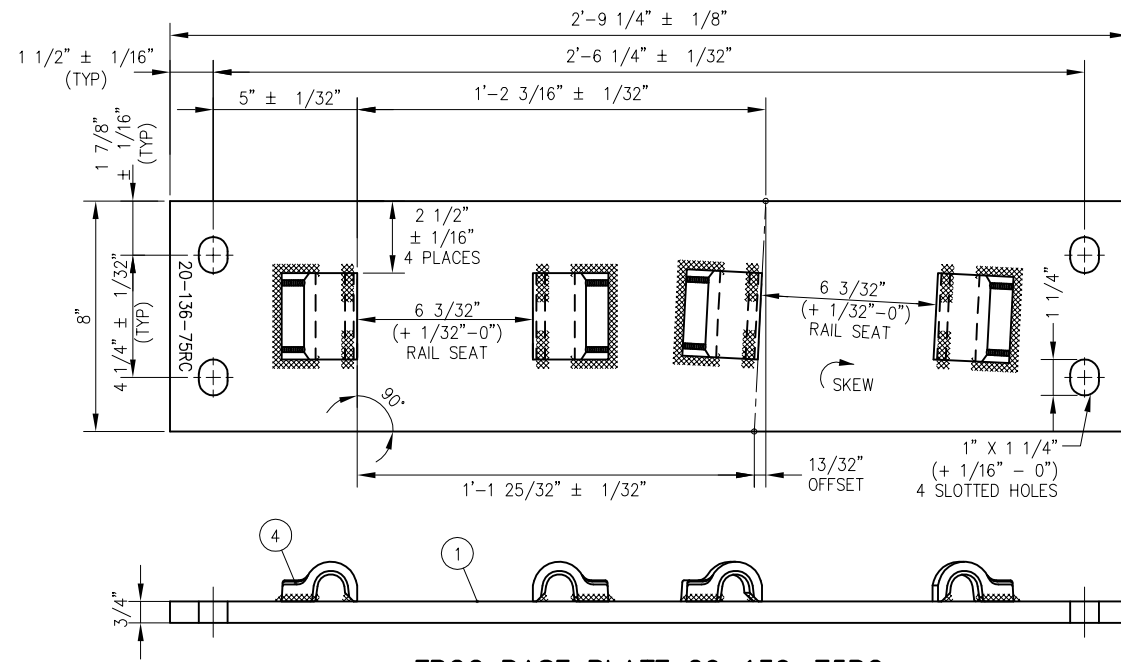
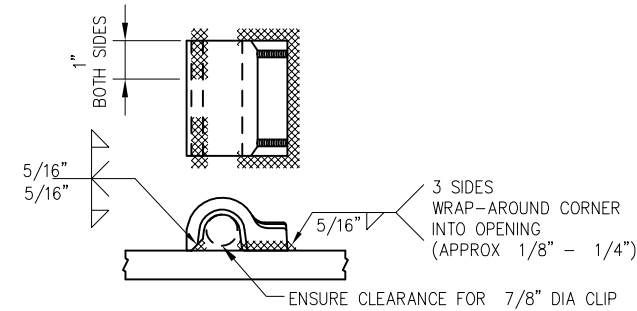


BILL OF MATERIAL					DWG NO
ITEM	QTY FOR 20-75RC	QTY FOR 20-76RC	QTY FOR 20-77RC	DESCRIPTION	
1	1	0	0	FLAT BAR, ASTM A36, 3/4" x 8" x 2'-9 1/4" LONG	-
2	0	1	0	FLAT BAR, ASTM A36, 3/4" x 8" x 2'-8" LONG	-
3	0	0	1	FLAT BAR, ASTM A36, 3/4" x 8" x 2'-7" LONG	-
4	4	4	4	SHOULDER, PANDROL, FORGED TONGUELESS, TYPE 1	-



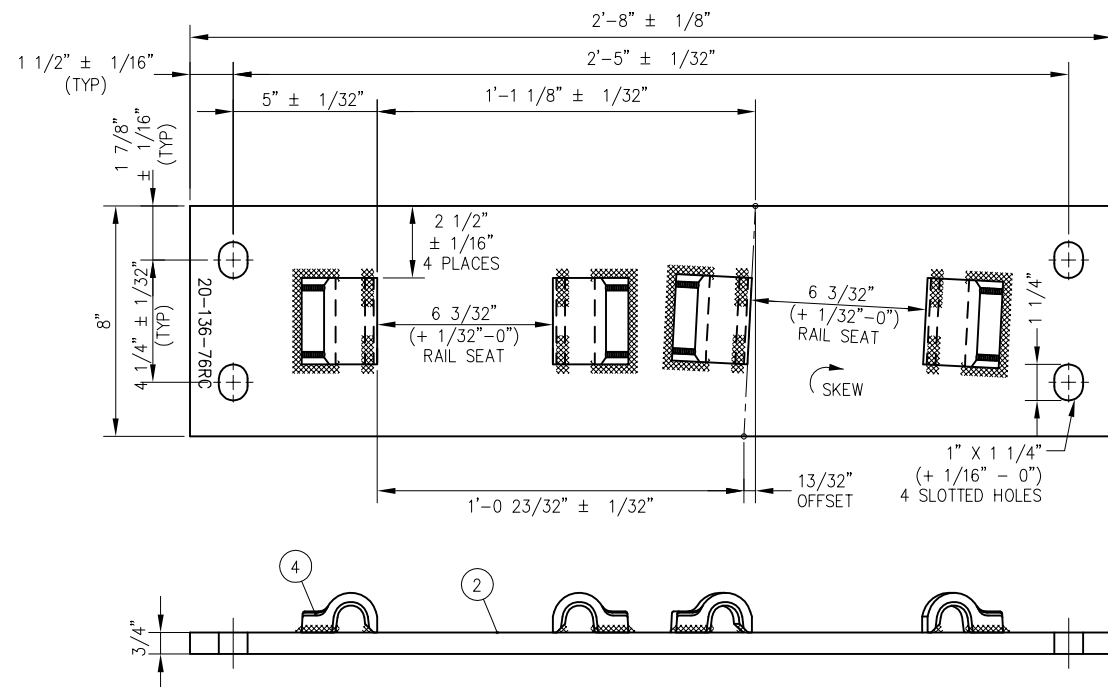
FROG BASE PLATE 20-136-75RC



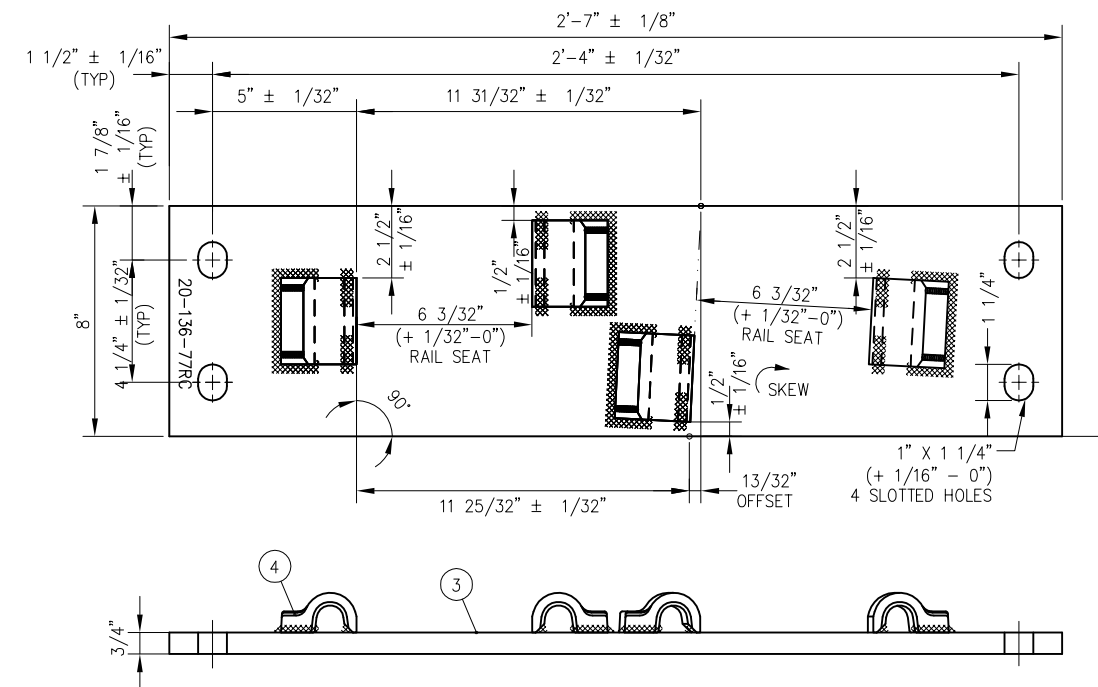
FORGED SHOULDER WELDING DETAIL

**NOTES:**

- I.D. CHARACTERS SHALL BE 1/2" MINIMUM HEIGHT CLEARLY STAMPED AS SHOWN
- WELDS SHALL BE DRESSED FLUSH WITH SHOULDER & NOT TO PROTRUDE INTO RAIL SEAT
- SLOTTED HOLE CENTERS ARE INDICATED ON DRAWING



FROG BASE PLATE 20-136-76RC



FROG BASE PLATE 20-136-77RC

**PENINSULA CORRIDOR JOINT POWERS BOARD**


**STANDARD DRAWINGS**

REV	DATE	BY	CHK	APP	DESCRIPTION

APPROVED BY:

*Bernard Anzures* *Steph Chen*

ENGINEERING MANAGER      DEPUTY DIRECTOR OF ENGINEERING



1250 San Carlos Avenue  
San Carlos, CA 94070

CADD FILE NO.: SD-2724	
REV 0	DATE 093011
SPECIAL TRACKWORK	
STANDARD NO.: SD-2724	
SPECIAL TRACKWORK NO 20 TURNOUT WSM FROG RH FROG BASE PLATES 20-75RC, 20-76RC & 20-77RC	