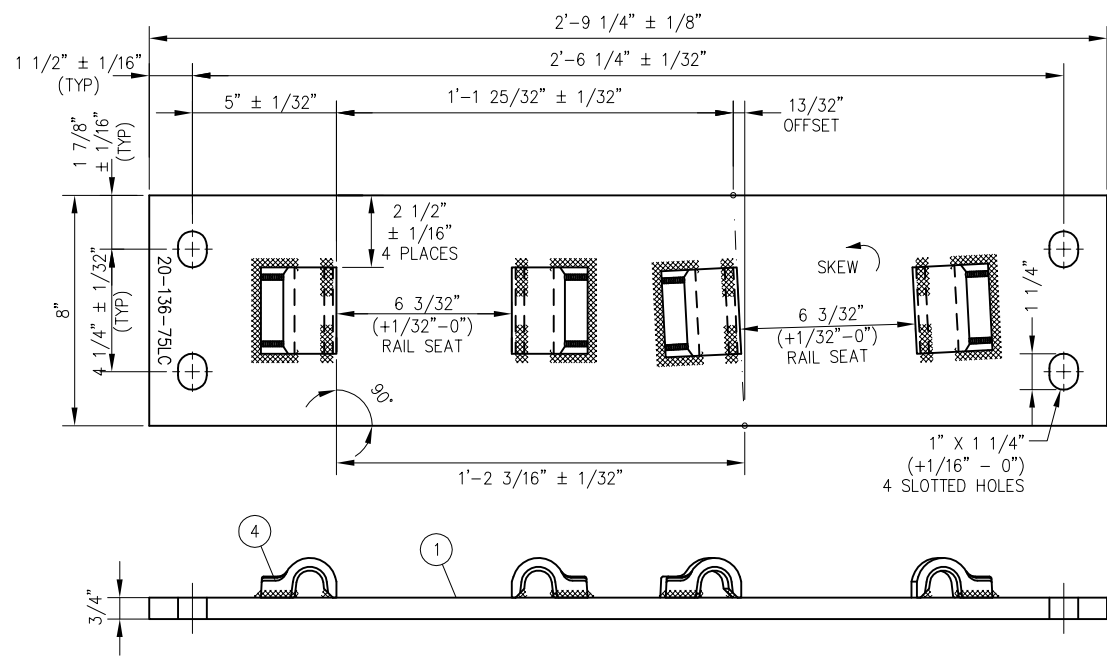
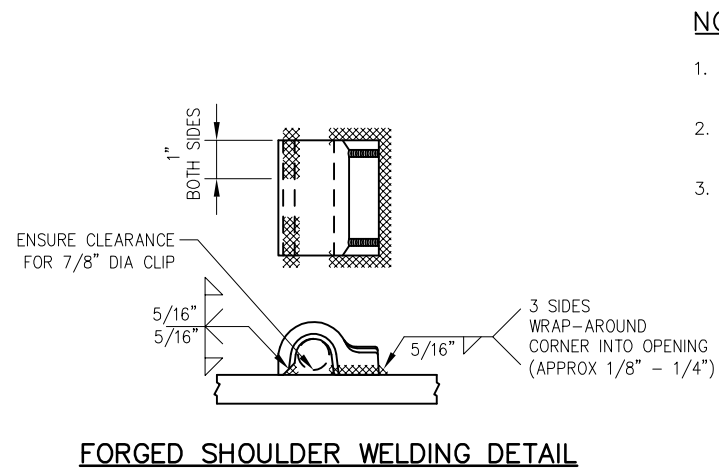


| BILL OF MATERIAL | | | | | |
|------------------|-----------------|-----------------|-----------------|--|--------|
| ITEM | QTY FOR 20-75LC | QTY FOR 20-76LC | QTY FOR 20-77LC | DESCRIPTION | DWG NO |
| 1 | 1 | 0 | 0 | FLAT BAR, ASTM A36, 3/4" x 8" x 2'-9 1/4" LONG | - |
| 2 | 0 | 1 | 0 | FLAT BAR, ASTM A36, 3/4" x 8" x 2'-8" LONG | - |
| 3 | 0 | 0 | 1 | FLAT BAR, ASTM A36, 3/4" x 8" x 2'-7" LONG | - |
| 4 | 4 | 4 | 4 | SHOULDER, PANDROL, FORGED TONGUELESS, TYPE 1 | - |

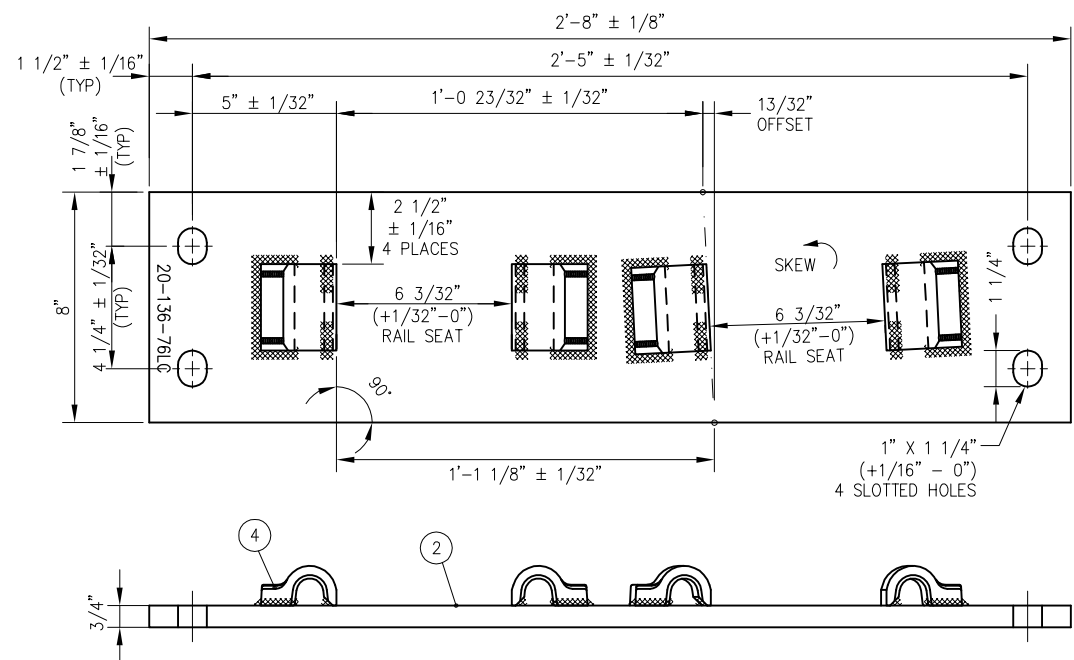


FROG BASE PLATE 20-136-75LC

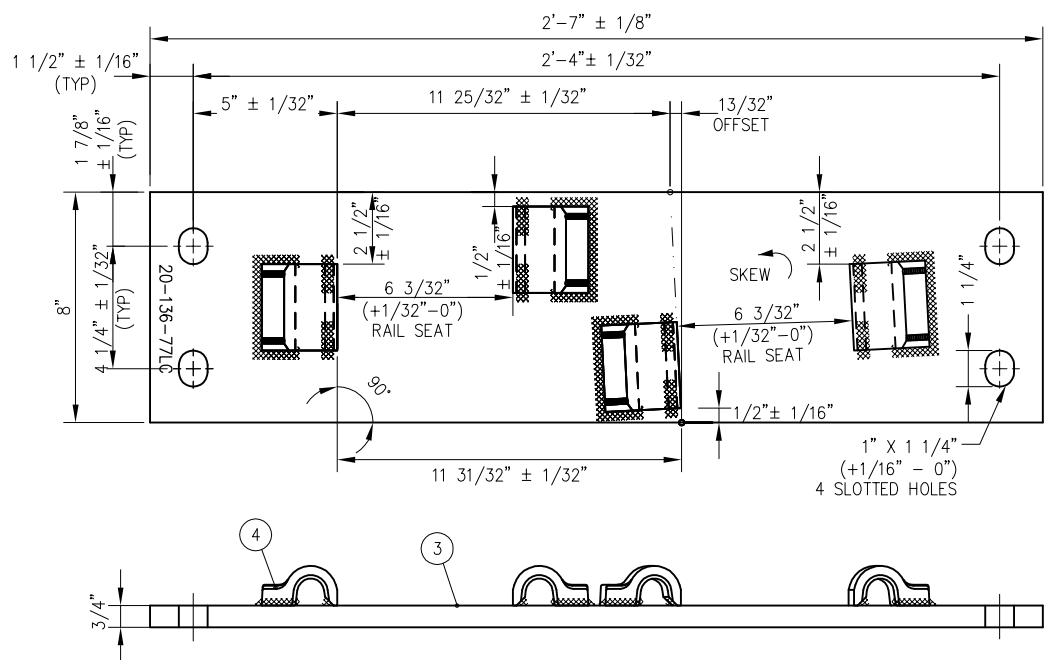


NOTES:

1. I.D. CHARACTERS SHALL BE 1/2" MINIMUM HEIGHT CLEARLY STAMPED AS SHOWN
2. WELDS SHALL BE DRESSED FLUSH WITH SHOULDER & NOT TO PROTRUDE INTO RAIL SEAT
3. SLOTTED HOLE CENTERS ARE INDICATED ON DRAWING



FROG BASE PLATE 20-136-76LC



FROG BASE PLATE 20-136-77LC

| REV | DATE | BY | CHK | APP | DESCRIPTION |
|-----|------|----|-----|-----|-------------|
| | | | | | |
| | | | | | |
| | | | | | |
| | | | | | |

PENINSULA CORRIDOR JOINT POWERS BOARD

APPROVED BY:




ENGINEERING MANAGER DEPUTY DIRECTOR OF ENGINEERING



1250 San Carlos Avenue
San Carlos, CA 94070

STANDARD DRAWINGS

SPECIAL TRACKWORK
NO 20 TURNOUT
WSM FROG LH
FROG BASE PLATES 20-75LC, 20-76LC & 20-77LC

| | |
|------------------------|-------------|
| CADD FILE NO.: SD-2723 | |
| REV 0 | DATE 093011 |
| SPECIAL TRACKWORK | |
| STANDARD NO.: SD-2723 | |