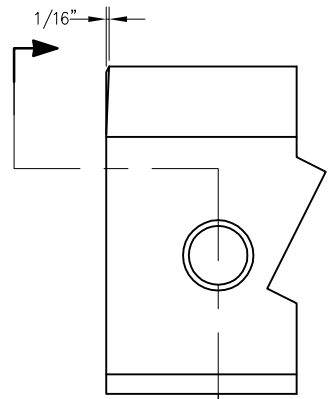
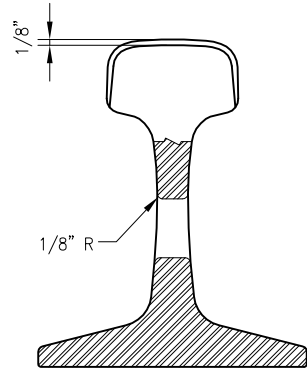


A PARTIAL SECTION
SCALE: NTS



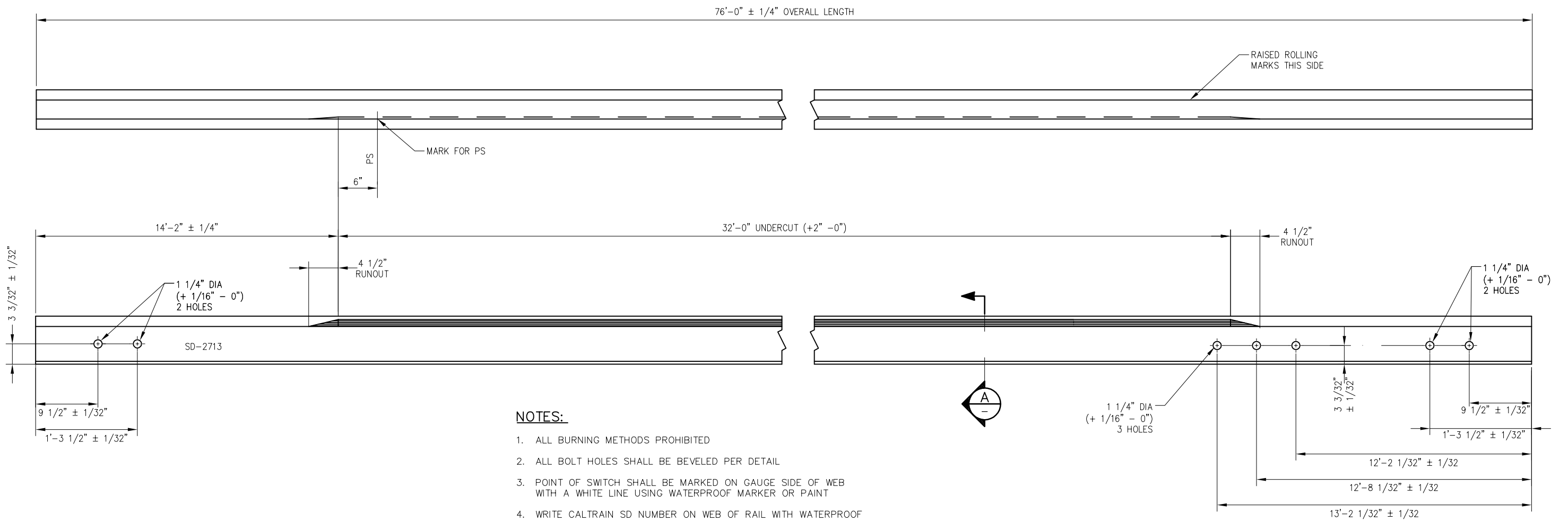
B SECTION
SCALE: NTS



B SECTION
SCALE: NTS

RAIL END / HOLE BEVELING DETAILS
RAIL HEAD ONLY - NOT BASE

BILL OF MATERIAL		
ITEM	QTY	DESCRIPTION
1	1	RAIL, 136 LB RE 76'-0" LONG



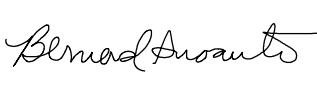

NOTES:


1. ALL BURNING METHODS PROHIBITED
2. ALL BOLT HOLES SHALL BE BEVELED PER DETAIL
3. POINT OF SWITCH SHALL BE MARKED ON GAUGE SIDE OF WEB WITH A WHITE LINE USING WATERPROOF MARKER OR PAINT
4. WRITE CALTRAIN SD NUMBER ON WEB OF RAIL WITH WATERPROOF MARKER OR PAINT

REV	DATE	BY	CHK	APP	DESCRIPTION

PENINSULA CORRIDOR JOINT POWERS BOARD

APPROVED BY:



1250 San Carlos Avenue
San Carlos, CA 94070

STANDARD DRAWINGS

SPECIAL TRACKWORK
NO 20 TURNOUT
SAMSON STOCK RAIL FOR RH TURNOUT
LH 76'-0" LONG

CADD FILE NO.: SD-2713	
REV 0	DATE 093011
SPECIAL TRACKWORK	
STANDARD NO.: SD-2713	