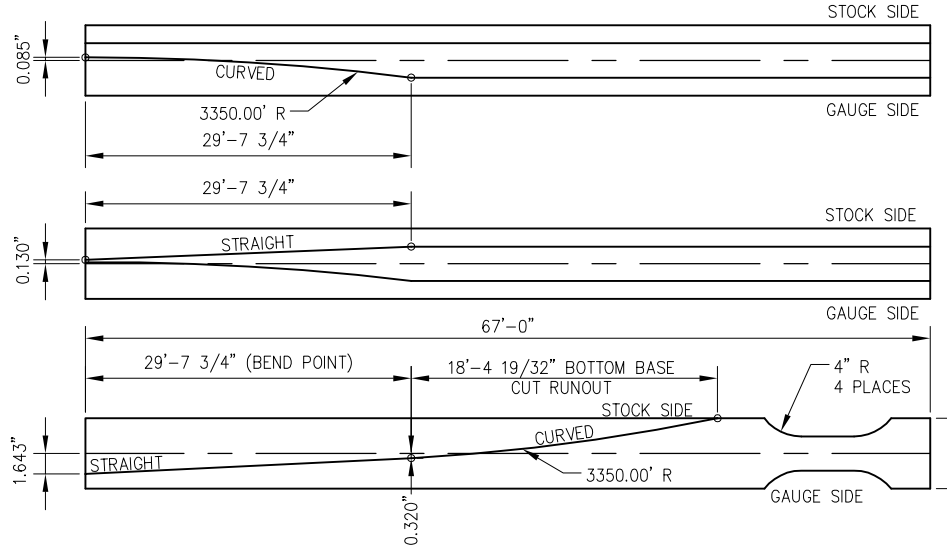
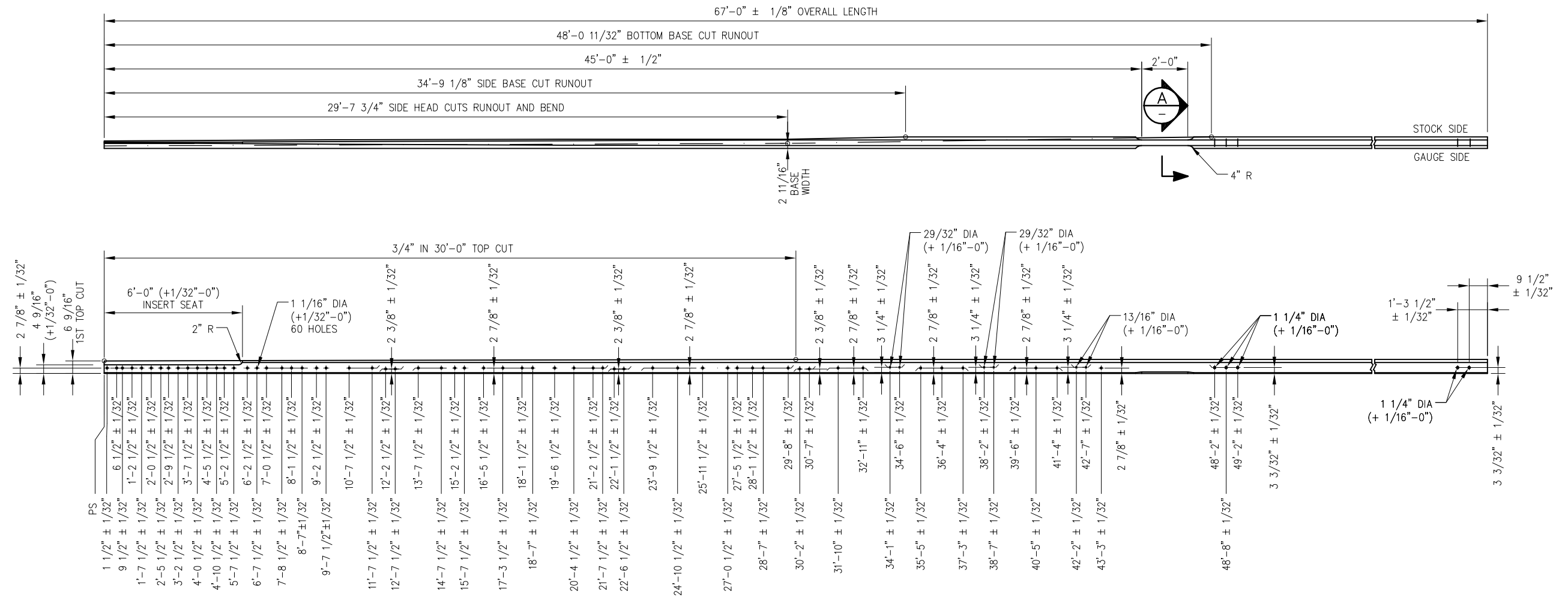


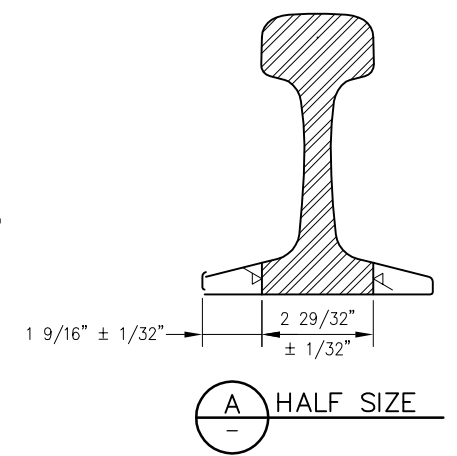
BILL OF MATERIAL		
ITEM	QTY	DESCRIPTION
1	1	RAIL, 136 LB RE x 67'-0" LONG



GAUGE SIDE HEAD CUT:
DIMENSIONS @ 6 11/16" AT RAIL
BEND STRAIGHT WEB, TOP VIEW

STOCK SIDE HEAD CUT:
DIMENSIONS @ 6 11/16" AT RAIL BEND
STRAIGHT WEB, TOP VIEW

UNDERSIDE BASE CUT:
DIMENSIONS @ BASE.
STRAIGHT WEB, TOP VIEW



- NOTES:**
- MACHINE SIDE HEAD CUTS BEFORE REMOVING HEAD AND WEB AREA SHOWN FOR MANGANESE TIP
 - POINT SHALL BE MACHINED STRAIGHT
 - ALL HOLES SHALL BE CHAMFERED WITH 1/8" R EDGES

REV	DATE	BY	CHK	APP	DESCRIPTION

PENINSULA CORRIDOR JOINT POWERS BOARD

APPROVED BY:

Bernard Anagnost *Steph Chen*

ENGINEERING MANAGER DEPUTY DIRECTOR OF ENGINEERING



1250 San Carlos Avenue
San Carlos, CA 94070

STANDARD DRAWINGS

**SPECIAL TRACKWORK
NO 20 TURNOUT
LH SWITCH POINT ASSEMBLY
67'-0" LONG WITH UNIFORM RISER**

CADD FILE NO.:	SD-2709
REV	DATE
0	093011
SPECIAL TRACKWORK	
STANDARD NO.:	SD-2709