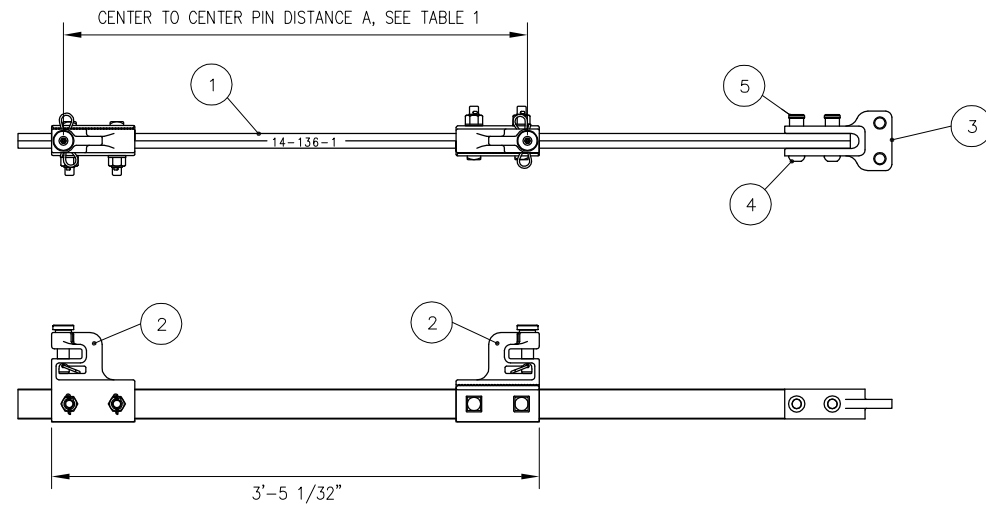
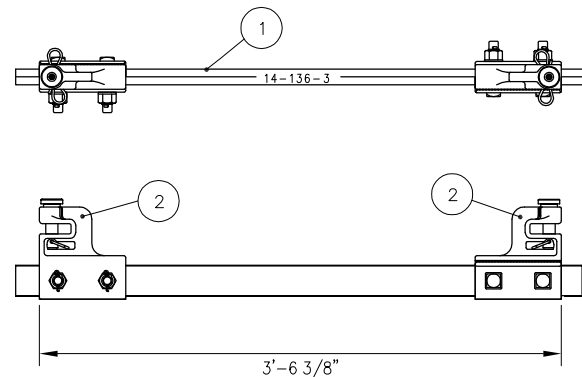


BILL OF MATERIAL FOR SWITCH ROD 14-136-1			
ITEM	QTY	DESCRIPTION	DWG NO
1	1	SWITCH ROD 14-136-1	--
2	2	SWITCH CLIP ASSEMBLY, ADJUSTABLE, FOR HOLLOW TIE COMPOSITE RODS	--
3	1	CONNECTOR LUG FOR POINT DETECTOR/LOCK RODS	--
4	2	HUCK BOLT, 3/4" DIA (C50LR-BR24-36)	--
5	2	HUCK COLLAR, 3/4" DIA (LC-2R24B)	--



SWITCH ROD ASSEMBLY 14-136-1

BILL OF MATERIAL FOR SWITCH ROD 14-136-3			
ITEM	QTY	DESCRIPTION	DWG NO
1	1	SWITCH ROD 14-136-3	--
2	2	SWITCH CLIP ASSEMBLY, ADJUSTABLE, FOR HOLLOW TIE	--

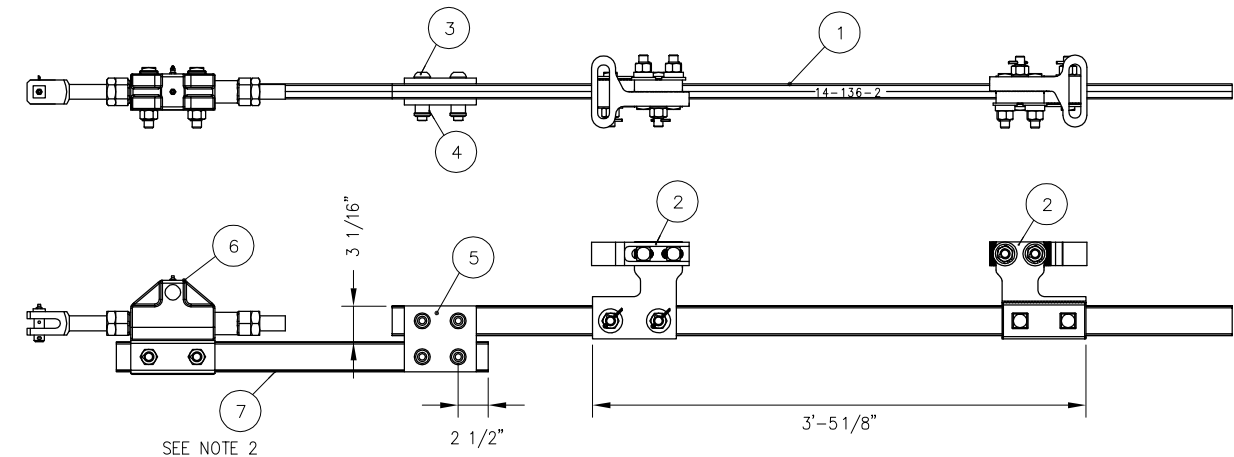


SWITCH ROD ASSEMBLY 14-136-3

TABLE 1

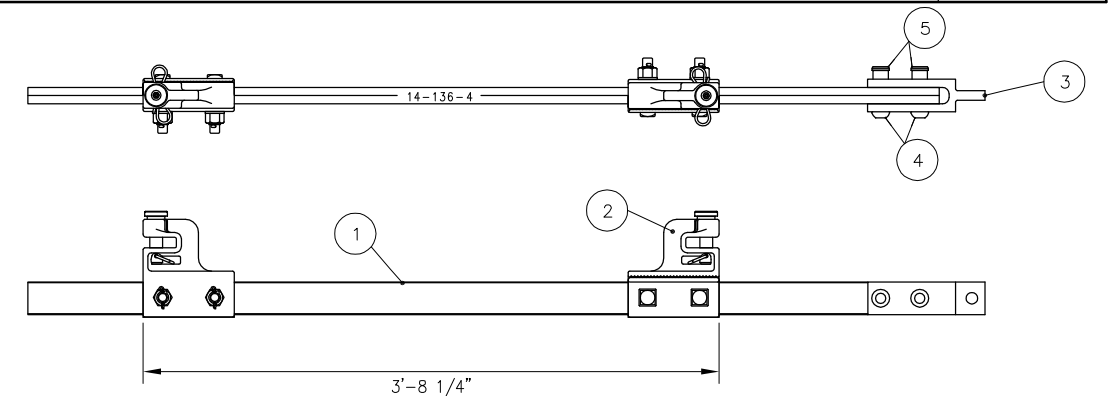
ROD #	A
SWITCH ROD ASSEMBLY 14-136-1	3'- 3 15/16"
SWITCH ROD ASSEMBLY 14-136-2	3'- 4 1/8"
SWITCH ROD ASSEMBLY 14-136-3	3'- 5"
SWITCH ROD ASSEMBLY 14-136-4	3'- 6 5/8"

BILL OF MATERIAL FOR SWITCH ROD 14-136-2			
ITEM	QTY	DESCRIPTION	DWG NO
1	1	BLUE ROD, PULTRUDED COMPOSITE, 1 1/4" x 2 1/2" x 5'-10" LONG, 14-136-2A	--
2	2	CLIP/LUG ASSEMBLY, HST SWITCH, ANTI-ROLLOVER DESIGN, LH	--
3	4	HUCK BOLT, 3/4" DIA (C50LR-BR24-36)	--
4	4	HUCK COLLAR, 3/4" DIA (LC-2R24B)	--
5	2	SPLICE PLATE, FOR BLUE ROD BASKET ASSEMBLY RODS	--
6	1	BASKET/ROD ASSEMBLY FOR HST WITH ROTARY ASSIST	--
7	1	BLUE ROD, PULTRUDED COMPOSITE, 1 1/4" x 2 1/2" x 2'-7" LONG, 2-B ROD	--



SWITCH ROD ASSEMBLY 14-136-2

BILL OF MATERIAL FOR SWITCH ROD 14-136-4			
ITEM	QTY	DESCRIPTION	DWG NO
1	1	SWITCH ROD 14-136-4	--
2	2	SWITCH CLIP ASSEMBLY, ADJUSTABLE	--
3	1	CONNECTOR LUG FOR REAR DRIVE ROD	--
4	2	HUCK BOLT, 3/4" DIA (C50LR-BR24-36)	--
5	2	HUCK COLLAR, 3/4" DIA (LC-2R24B)	--



SWITCH ROD ASSEMBLY 14-136-4

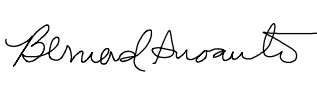

NOTES:

- ROD IDENTIFICATION SHALL BE ENGRAVED ON ROD CLEARLY AS SHOWN, 3/8" MIN HEIGHT
- SWITCH RODS MUST BE PARALLEL WITHIN 1/16" OVER LENGTH OF 2-B ROD


REV	DATE	BY	CHK	APP	DESCRIPTION

PENINSULA CORRIDOR JOINT POWERS BOARD

APPROVED BY:

ENGINEERING MANAGER DEPUTY DIRECTOR OF ENGINEERING



1250 San Carlos Avenue
 San Carlos, CA 94070

STANDARD DRAWINGS

SPECIAL TRACKWORK
 NO 14 TURNOUT
 HOLLOW STEEL TIE SWITCH
 RODS 14-1, 14-2, 14-3, 14-4

CADD FILE NO.: SD-2639
 REV 0 DATE 093011
 STANDARD NO.: SD-2639