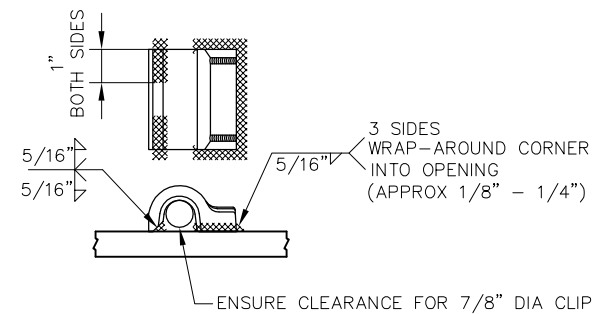
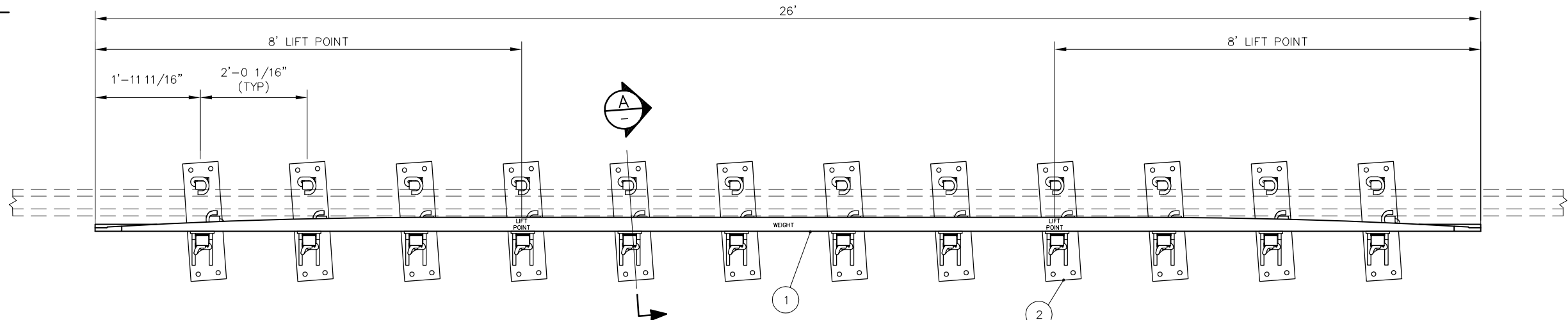


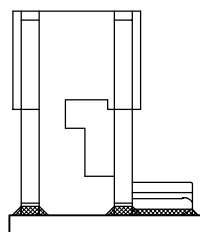
GUARD RAIL HARDWARE ASSEMBLY

**A** PARTIAL SECTION  
SCALE: NTS

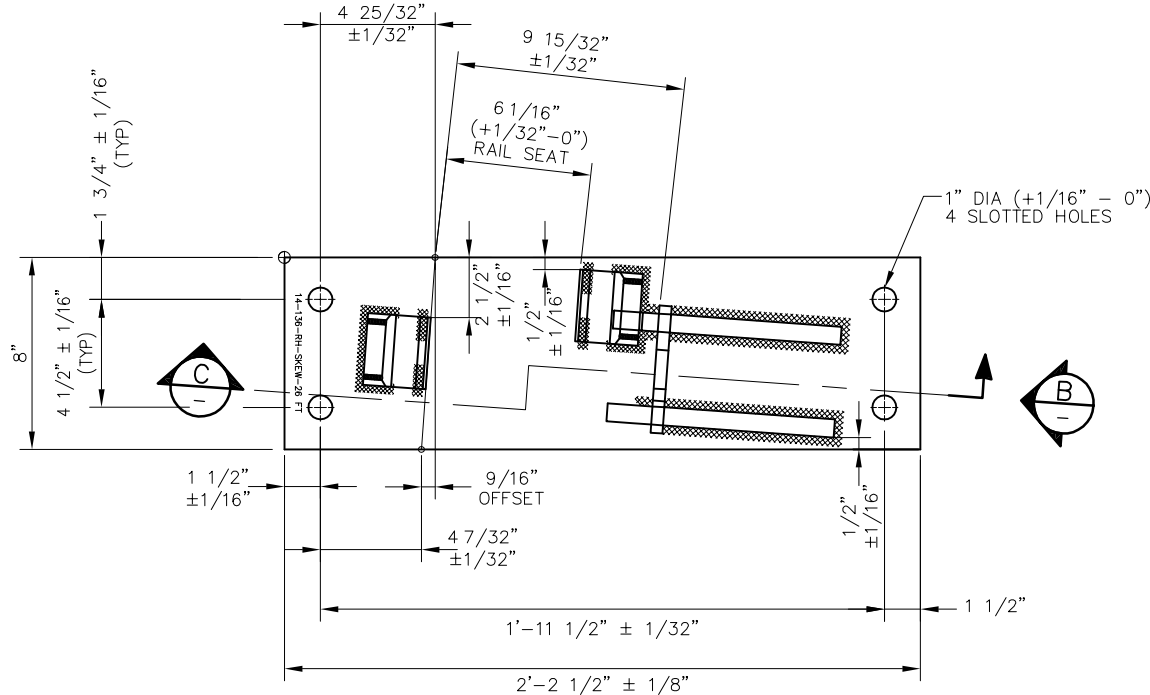
BILL OF MATERIAL			
ITEM	QTY	DESCRIPTION	DWG NO
1	1	GUARD BAR, UIC33 1200 SERIES X 26'-0" LONG	-
2	12	GUARD RAIL PLATE ASSEMBLY, RAISED 1", RH SKEWED	-
3	12	H-CLAMP	-
4	36	CLIP, PANDROL, E2055	-
5	12	LOCKING BLOCK	-
6	48	SHIM, 1/8" THICK X 3" X 6" LONG	-



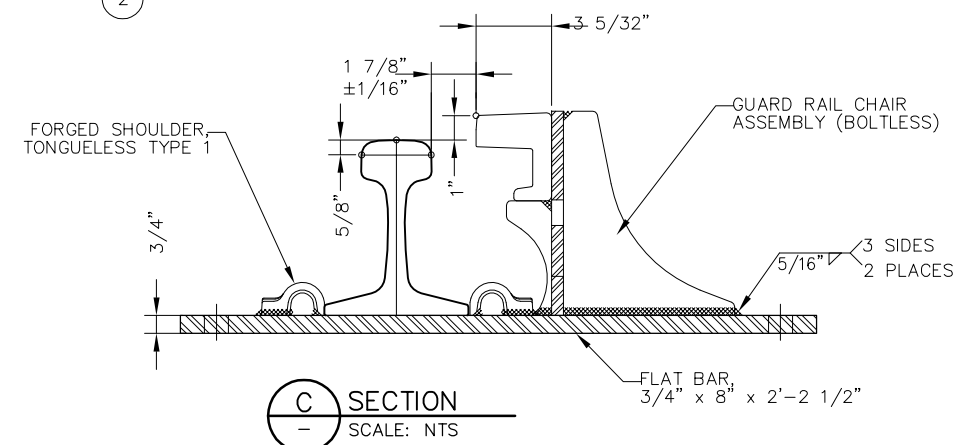
FORGED SHOULDER WELDING DETAIL



**B** VIEW  
SCALE: NTS



GUARD RAIL PLATE ASSEMBLY





NOTES:


1. PLATE SPACING IS SET FOR SHIPPING ONLY. FINAL PLATE SPACING SHALL BE DETERMINED BY TIE SPACING AT TIME OF INSTALLATION
2. PANDROL SPRING CLIPS (E2055) SHALL BE INCLUDED IN ASSEMBLY
3. LIFT POINTS AND WEIGHT OF ASSEMBLY SHALL BE MARKED ON HEAD OF WEAR BAR WITH WHITE PAINT
4. PLATE SHALL BE STAMPED WITH PLATE I.D. WITH 1/2" HIGH CHARACTERS AS SHOWN
5. GRIND AWAY CORNER OF PANDROL SHOULDER TO CLEAR FOOT OF CHAIR ASSEMBLY
6. SEE SD-2301 FOR STRAIGHT SIDE GUARD RAIL

REV	DATE	BY	CHK	APP	DESCRIPTION

**PENINSULA CORRIDOR JOINT POWERS BOARD**

APPROVED BY:



1250 San Carlos Avenue  
San Carlos, CA 94070

**STANDARD DRAWINGS**

**SPECIAL TRACKWORK**  
**NO 14 TURNOUT**  
**GUARD RAIL ASSEMBLY**  
**RH SKEWED WITH PLATES 26'-0" LONG**

CADD FILE NO.:	SD-2636
REV	DATE
0	093011
SPECIAL TRACKWORK	
STANDARD NO.:	SD-2636