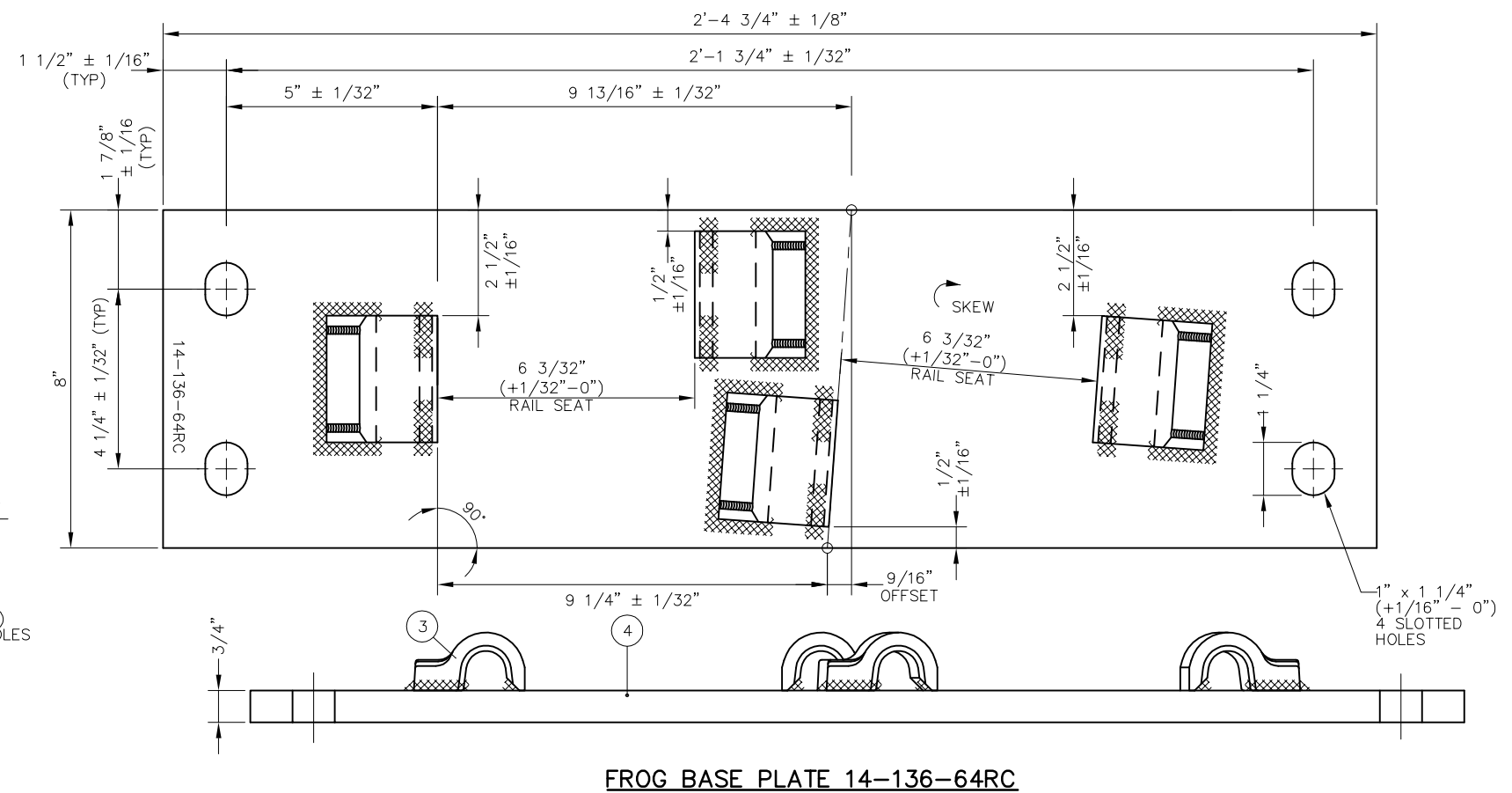
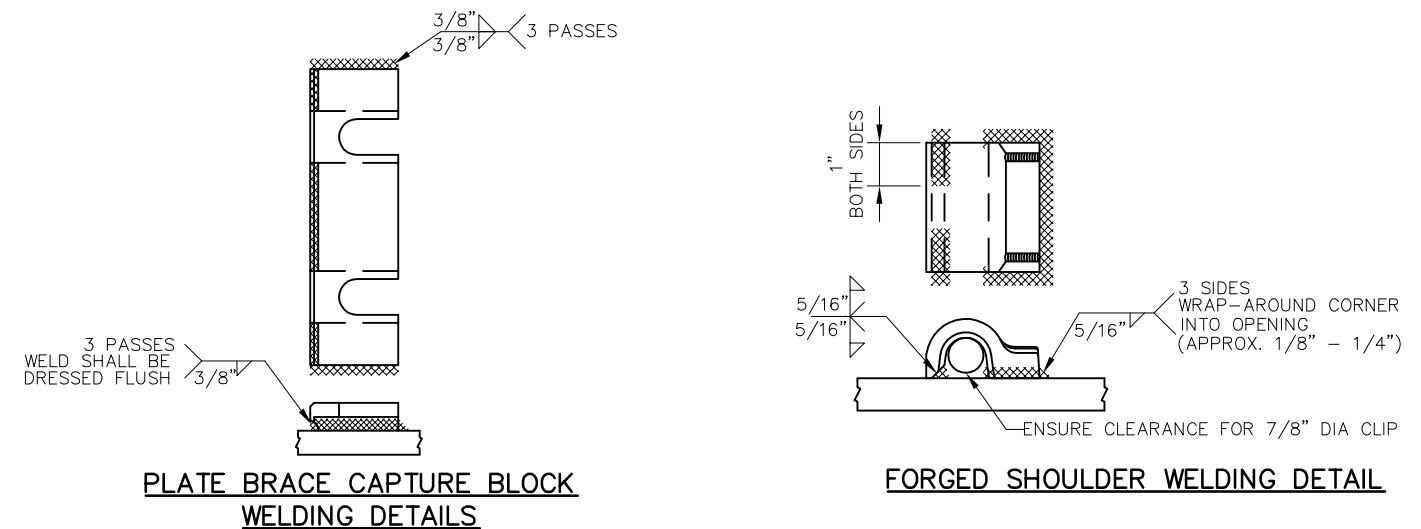
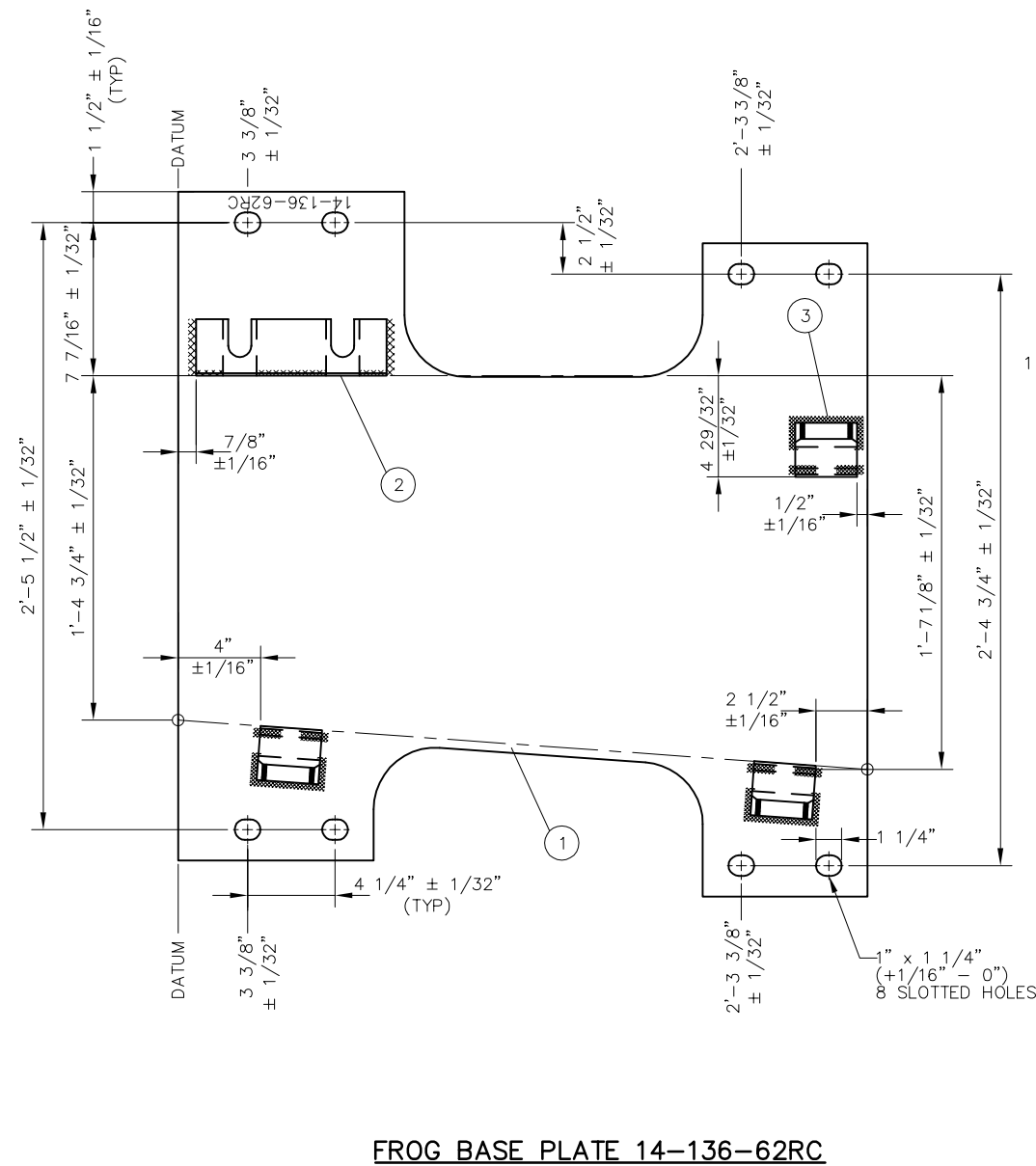


BILL OF MATERIAL				
ITEM	QTY FOR 14-136-62RC	QTY FOR 14-136-64RC	DESCRIPTION	DWG NO
1	1	0	BURNED PLATE, 3/4" THICK	-
2	1	0	CAPTURE BLOCK FOR HORN KEEPER	-
3	3	4	SHOULDER, PANDROL, FORGED TONGUELESS, TYPE 1	-
4	0	1	FLAT BAR, ASTM A36, 3/4" x 8" x 2'-4 3/4" LONG	-

NOTES:

1. I.D. CHARACTERS SHALL BE 1/2" MINIMUM HEIGHT CLEARLY STAMPED AS SHOWN
2. WELDS SHALL BE DRESSED FLUSH WITH SHOULDERS AND STOPS AND NOT PROTRUDE INTO RAIL SEAT
3. OPENINGS IN BOLT CAPTURE BLOCKS SHALL BE FREE OF WELD AND SPATTER
4. SLOTTED HOLE CENTERS ARE INDICATED ON DRAWING



REV	DATE	BY	CHK	APP	DESCRIPTION

PENINSULA CORRIDOR JOINT POWERS BOARD		STANDARD DRAWINGS		CADD FILE NO.: SD-2632
APPROVED BY:				REV: 0 DATE: 093011
 ENGINEERING MANAGER				SPECIAL TRACKWORK NO 14 TURNOUT WSM FROG RH FROG BASE PLATES 14-62RC AND 14-64RC
 DEPUTY DIRECTOR OF ENGINEERING		1250 San Carlos Avenue San Carlos, CA 94070		STANDARD NO.: SD-2632