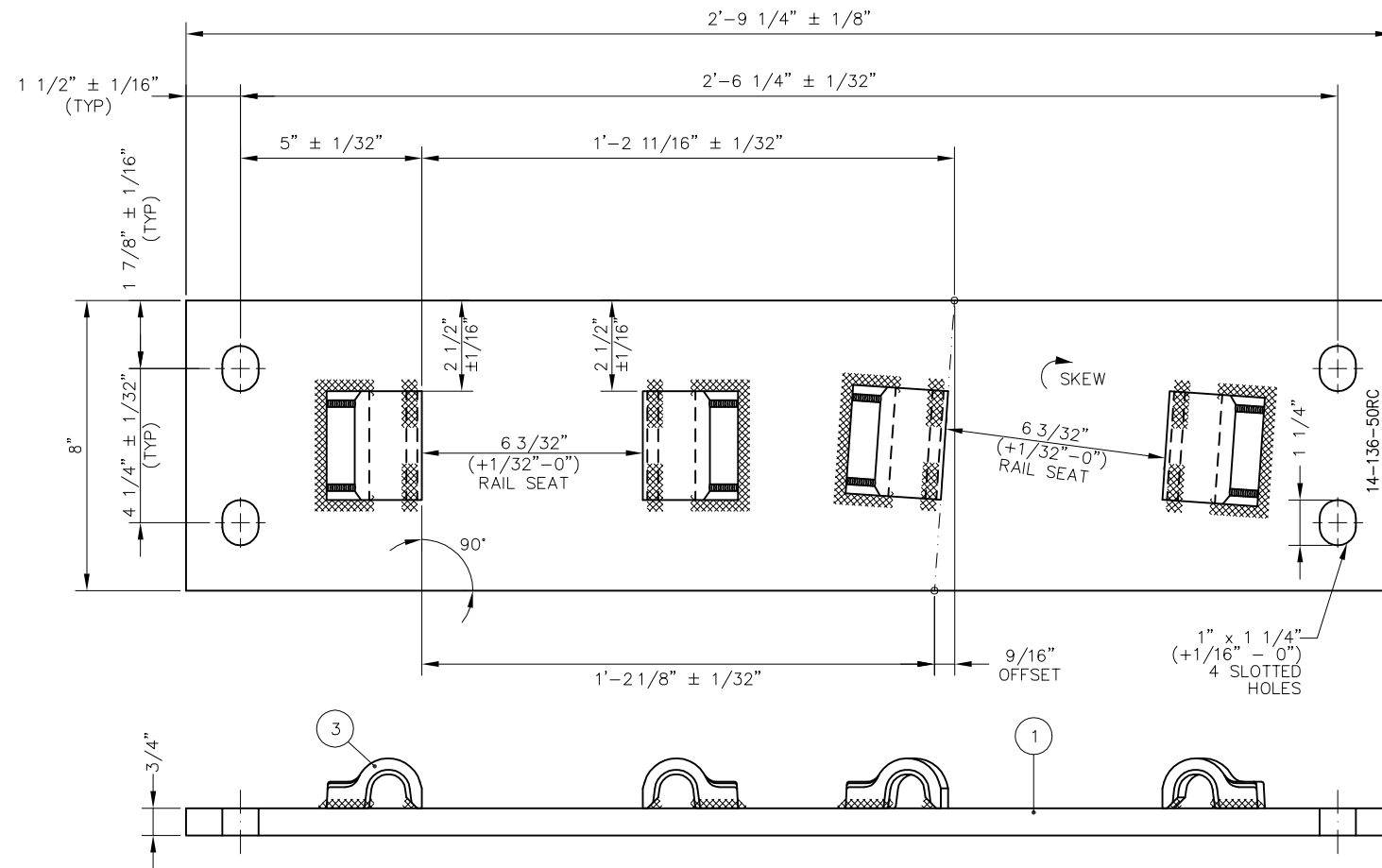
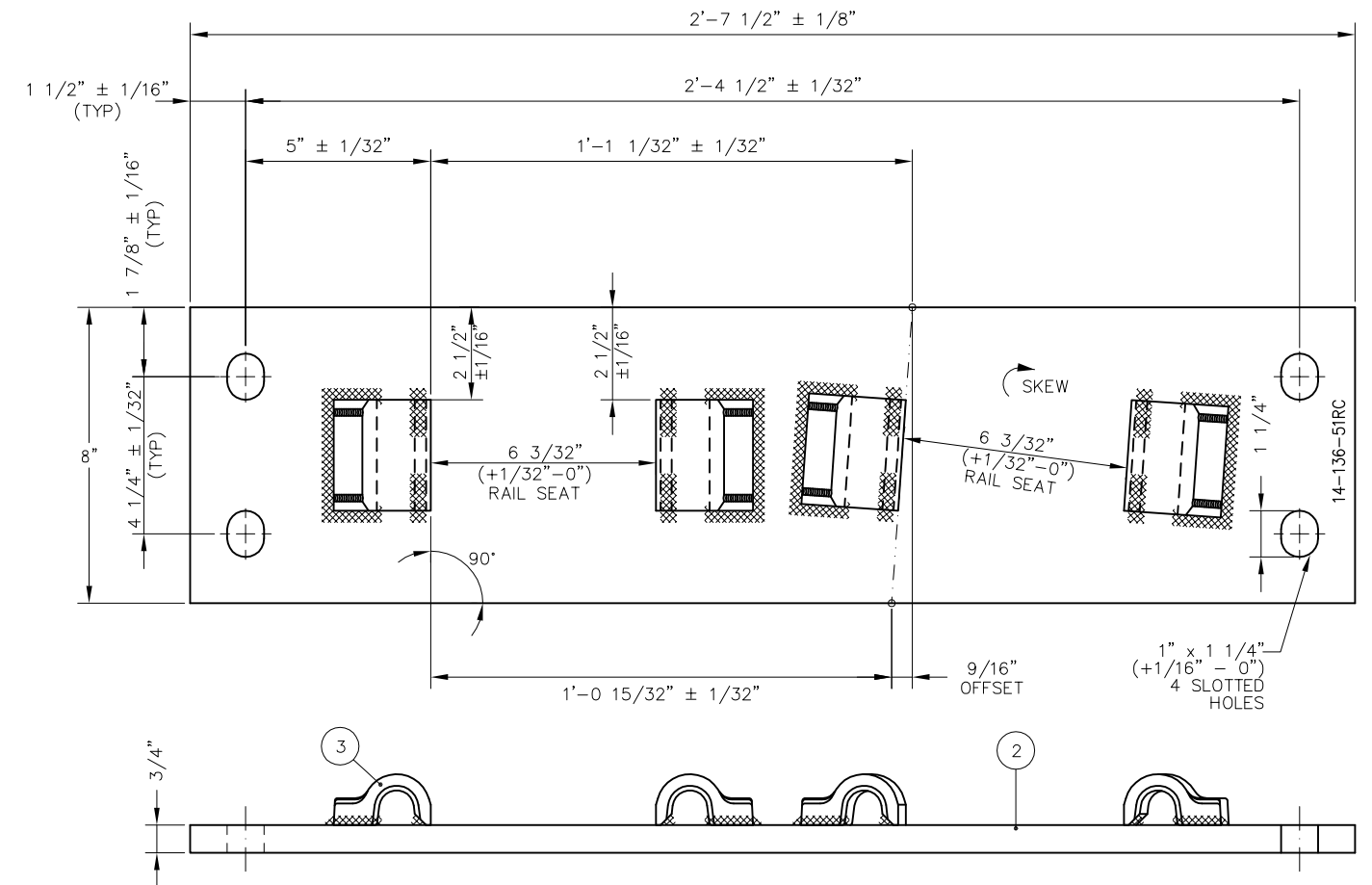


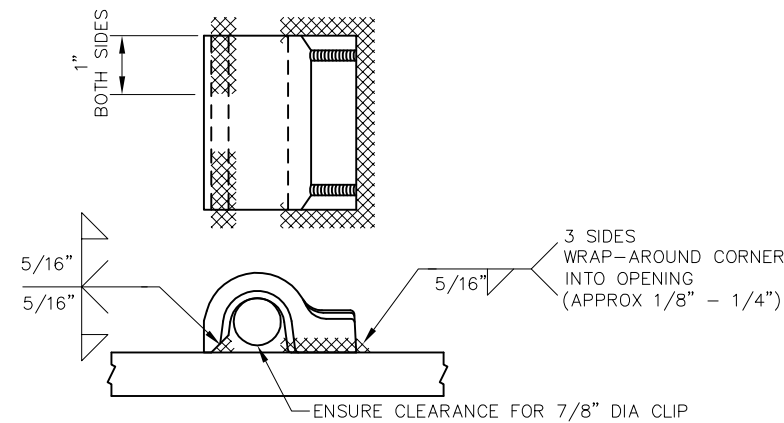
BILL OF MATERIAL				
ITEM	QTY FOR 24-136-50RC	QTY FOR 24-136-51RC	DESCRIPTION	DWG NO
1	1	0	FLAT BAR, ASTM A36, 3/4" x 8" x 2'-9 1/4" LONG	-
2	0	1	FLAT BAR, ASTM A36, 3/4" x 8" x 2'-7 1/2" LONG	-
3	4	4	SHOULDER, PANDROL, FORGED TONGUELESS, TYPE 1	-



FROG BASE PLATE 14-136-50RC



FROG BASE PLATE 14-136-51RC



FORGED SHOULDER WELDING DETAIL

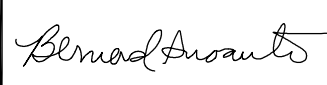

NOTES:

1. I.D. CHARACTERS SHALL BE 1/2" MINIMUM HEIGHT CLEARLY STAMPED AS SHOWN
2. WELDS SHALL BE DRESSED FLUSH WITH SHOULDER & NOT TO PROTRUDE INTO RAIL SEAT
3. SLOTTED HOLE CENTERS ARE INDICATED ON DRAWING


REV	DATE	BY	CHK	APP	DESCRIPTION

PENINSULA CORRIDOR JOINT POWERS BOARD

APPROVED BY:

ENGINEERING MANAGER DEPUTY DIRECTOR OF ENGINEERING



1250 San Carlos Avenue
San Carlos, CA 94070

STANDARD DRAWINGS		CADD FILE NO.:
SPECIAL TRACKWORK NO 14 TURNOUT WSM FROG RH FROG BASE PLATES 14-50RC AND 14-51RC		SD-2626
REV	DATE	
0	093011	
STANDARD NO.:		SD-2626