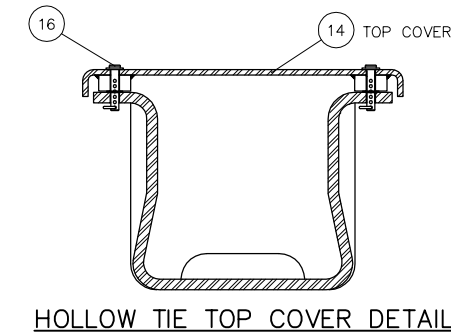


**NOTE:**

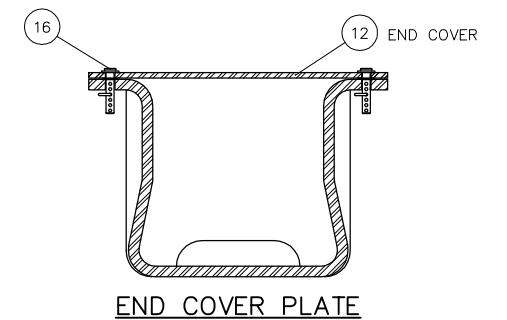
1. COORDINATE SWITCH MACHINE AND MACHINE PLATES (NIC) WITH CALTRAIN

BILL OF MATERIAL			
ITEM	QTY	DESCRIPTION	DWG NO
1	1	RODDING ASSEMBLY FOR NO 14-136 LB RE, SWITCH MACHINE ON LEFT SIDE	SD-2637
2	1	HOLLOW TIE ASSEMBLY (HT-1LL-14-136)	-
3	1	HOLLOW TIE ASSEMBLY (HT-2LL-14-136)	-
4	1	HOLLOW TIE ASSEMBLY (HT-5LL-14-136)	-
5	1	HOLLOW TIE ASSEMBLY (HT-9LL-14-136)	-
6*	2	COVER PLATE NO 1, HOLLOW SWITCH TIE	-
7	8	LV BRACE FOR 136 LB RE	-
8	8	SERRATED WASHER FOR LV BRACE	-
9	8	CLIP, PANDROL, FC1601	-
10	8	CLIP, PANDROL, E2055	-
11	16	RAIL ANCHOR UNIT DRIVE-ON TYPE 5	-
12	2	STEEL COVER PLATE FOR HST TIE, TOP END	-
13*	1	COVER PLATE NO 2, HOLLOW SWITCH TIE	-
14*	1	COVER PLATE NO 3, HOLLOW SWITCH TIE	-
15	1	END COVER PLATE FOR HST TIE, SHORT TOP VERSION	-
16	30	PUSH PIN ASSEMBLY FOR HST COVERS	-
17	4	STEEL SIDE END COVER PLATE ASSEMBLY FOR HST TIE	-
18	8	COVER SUPPORT BRACKET	-
19	4	HST SWITCH PLATE HTP-206-STR	SD-2305
20	1	HST SWITCH PLATE HTP-208-L	SD-2307
21	1	HST SWITCH PLATE HTP-200-L	SD-2308
22	2	HST SWITCH PLATE HTP-202-L	SD-2309
23	1	PILLOW BLOCK MOUNTING PLATE	-
24	8	SIDE POST INSULATOR FOR FC1600 SERIES PANDROL FASTCLIP	SD-2313
25	8	TOE INSULATOR FOR FC1600 SERIES PANDROL FAST CLIP	SD-2314

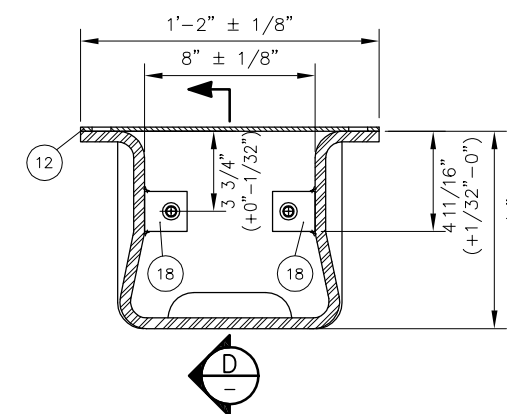
\* NOT SHOWN ON ASSEMBLY FOR CLARITY



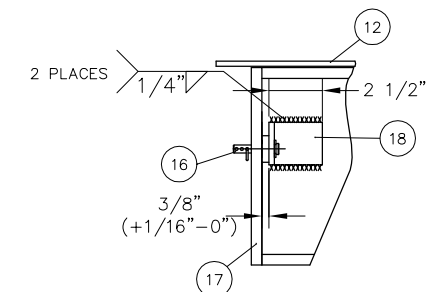
**A** SECTION  
SCALE: NTS



**B** SECTION  
SCALE: NTS



**C** SECTION  
SCALE: NTS



**D** SECTION  
SCALE: NTS

REV	DATE	BY	CHK	APP	DESCRIPTION

<b>PENINSULA CORRIDOR JOINT POWERS BOARD</b>		<b>STANDARD DRAWINGS</b>		CADD FILE NO: SD-2622
APPROVED BY: <i>Bernard Anagnost</i> ENGINEERING MANAGER		 1250 San Carlos Avenue San Carlos, CA 94070		REV 0 DATE 093011
DEPUTY DIRECTOR OF ENGINEERING <i>Steph Chen</i>		SPECIAL TRACKWORK NO 14 TURNOUT HOLLOW STEEL TIES FOR LH TURNOUT SWITCH MACHINE ON TURNOUT SIDE		STANDARD NO: SD-2622