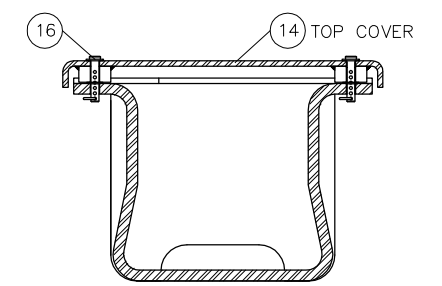


NOTE:
 1. COORDINATE SWITCH MACHINE AND MACHINE PLATES (NIC) WITH CALTRAIN

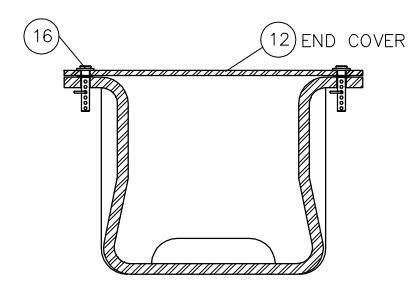
BILL OF MATERIAL				DWG NO
ITEM	QTY	DESCRIPTION		SD-2638
1	1	RODDING ASSEMBLY, FOR NO 14-136 LB RE, SWITCH MACHINE ON RIGHT SIDE		
2	1	HOLLOW TIE ASSEMBLY (HT-1RR-14-136)		
3	1	HOLLOW TIE ASSEMBLY (HT-2RR-14-136)		
4	1	HOLLOW TIE ASSEMBLY (HT-5RR-14-136)		
5	1	HOLLOW TIE ASSEMBLY (HT-9RR-14-136)		
6*	2	COVER PLATE NO 1, HOLLOW SWITCH TIE		
7	8	LV BRACE FOR 136 LB RE		
8	8	SERRATED WASHER FOR LV BRACE		
9	8	CLIP, PANDROL, FC1601		
10	8	CLIP, PANDROL, E2055		
11	16	RAIL ANCHOR UNIT DRIVE-ON TYPE 5		
12	2	STEEL COVER PLATE FOR HST TIE, TOP END		
13*	1	COVER PLATE NO 2, HOLLOW SWITCH TIE		
14*	1	COVER PLATE NO 3, HOLLOW SWITCH TIE		
15	1	END COVER PLATE FOR HST TIE, SHORT TOP VERSION		
16	30	PUSH PIN ASSEMBLY FOR HST COVERS		
17	4	STEEL SIDE END COVER PLATE ASSEMBLY FOR HST TIE		
18	8	COVER SUPPORT BRACKET		
19	4	HST SWITCH PLATE HTP-206-STR	SD-2305	
20	1	HST SWITCH PLATE HTP-209-R	SD-2307	
21	2	HST SWITCH PLATE HTP-201-R	SD-2308	
22	1	HST SWITCH PLATE HTP-203-R	SD-2309	
23	1	PILLOW BLOCK MOUNTING PLATE		
24	8	SIDE POST INSULATOR FOR FC1600 SERIES PANDROL FASCLIP	SD-2313	
25	8	TOE INSULATOR FOR FC1600 SERIES PANDROL FASTCLIP	SD-2314	

* NOT SHOWN ON ASSEMBLY FOR CLARITY



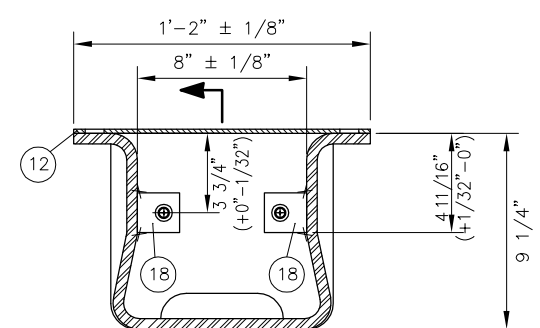
HOLLOW TIE TOP COVER DETAIL

A SECTION
 SCALE: NTS



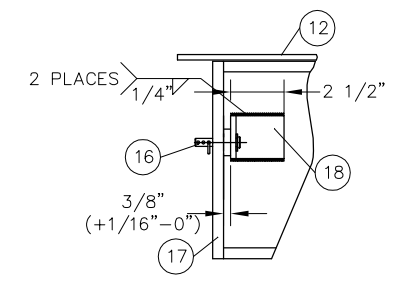
END COVER PLATE

B SECTION
 SCALE: NTS



HOLLOW TIE SIDE END COVER DETAIL

C SECTION
 SCALE: NTS



WELDING DETAIL

D SECTION
 SCALE: NTS

REV	DATE	BY	CHK	APP	DESCRIPTION

PENINSULA CORRIDOR JOINT POWERS BOARD

APPROVED BY:




ENGINEERING MANAGER DEPUTY DIRECTOR OF ENGINEERING



1250 San Carlos Avenue
San Carlos, CA 94070

STANDARD DRAWINGS

SPECIAL TRACKWORK
NO 14 TURNOUT
HOLLOW STEEL TIES FOR RH TURNOUT
SWITCH MACHINE ON TURNOUT SIDE

CADD FILE NO.:	SD-2621
REV	DATE
0	093011
SPECIAL TRACKWORK	
STANDARD NO.:	SD-2621