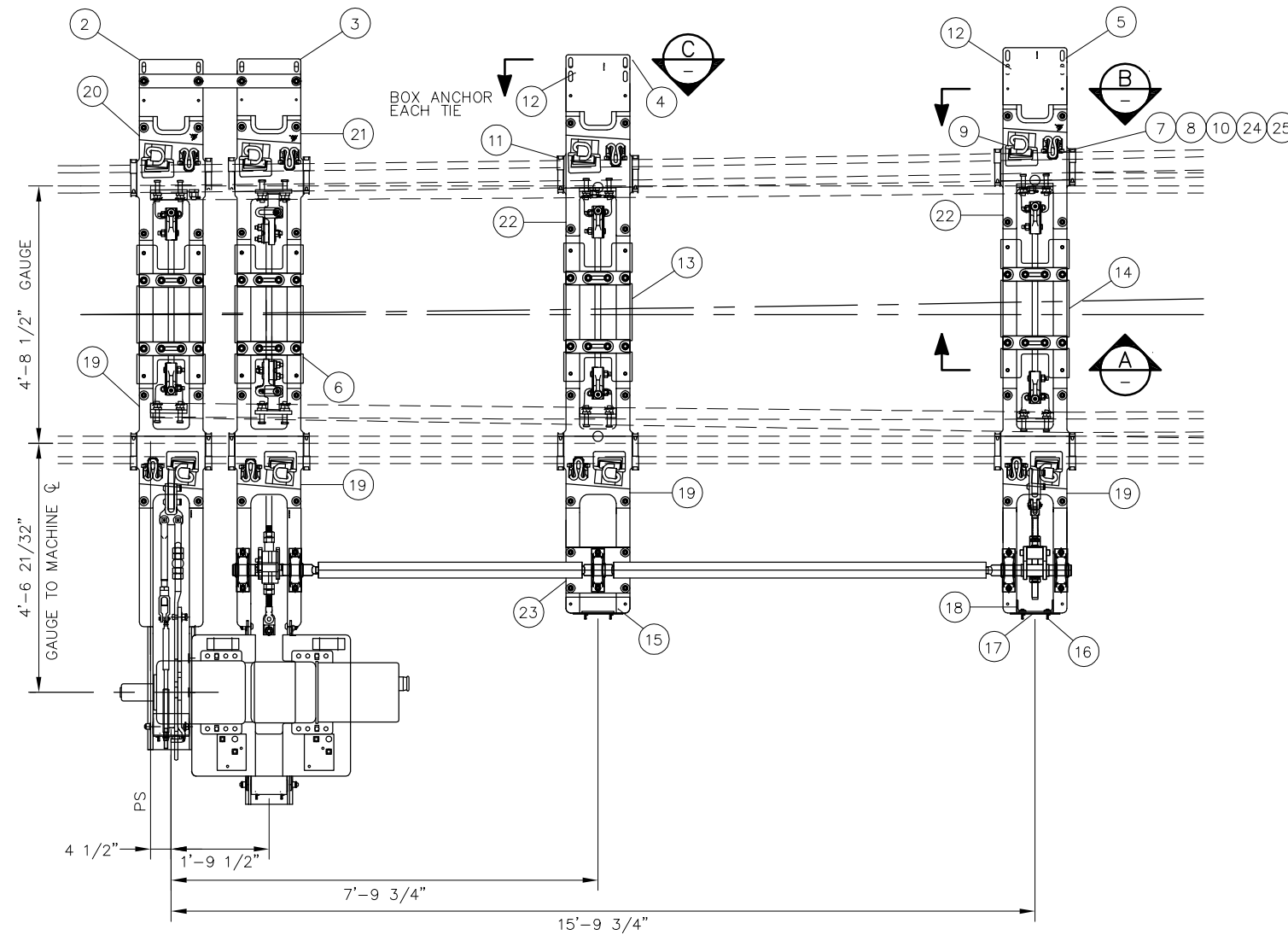


BILL OF MATERIAL

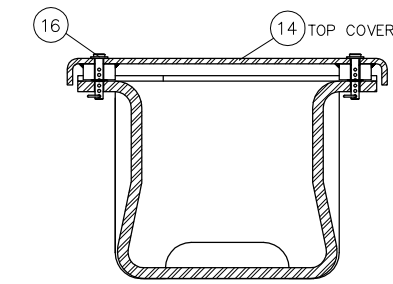
ITEM	QTY	DESCRIPTION	DWG NO
1	1	RODDING ASSEMBLY FOR NO 14-136 LB RE, SWITCH MACHINE ON RIGHT SIDE	SD-2638
2	1	HOLLOW TIE ASSEMBLY (HT-1LR-14-136)	-
3	1	HOLLOW TIE ASSEMBLY (HT-2LR-14-136)	-
4	1	HOLLOW TIE ASSEMBLY (HT-5LR-14-136)	-
5	1	HOLLOW TIE ASSEMBLY (HT-9LR-14-136)	-
6*	2	COVER PLATE NO 1, HOLLOW SWITCH TIE	-
7	8	LV BRACE FOR 136 LB RE	-
8	8	SERRATED WASHER FOR LV BRACE	-
9	8	CLIP, PANDROL, FC1601	-
10	8	CLIP, PANDROL, E2055	-
11	16	RAIL ANCHOR UNIT DRIVE-ON TYPE 5	-
12	2	STEEL COVER PLATE FOR HST TIE, TOP END	-
13*	1	COVER PLATE NO 2, HOLLOW SWITCH TIE	-
14*	1	COVER PLATE NO 3, HOLLOW SWITCH TIE	-
15	1	END COVER PLATE FOR HST TIE, SHORT TOP VERSION	-
16	30	PUSH PIN ASSEMBLY FOR HST COVERS	-
17	4	STEEL SIDE END COVER PLATE ASSEMBLY FOR HST TIE	-
18	8	COVER SUPPORT BRACKET	-
19	4	HST SWITCH PLATE HTP-206-STR	SD-2305
20	1	HST SWITCH PLATE HTP-208-L	SD-2307
21	1	HST SWITCH PLATE HTP-200-L	SD-2308
22	2	HST SWITCH PLATE HTP-202-L	SD-2309
23	1	PILLOW BLOCK MOUNTING PLATE	-
24	8	SIDE POST INSULATOR FOR FC1600 SERIES PANDROL FASTCLIP	SD-2313
25	8	TOE INSULATOR FOR FC1600 SERIES PANDROL FASTCLIP	SD-2314

* NOT SHOWN ON ASSEMBLY FOR CLARITY



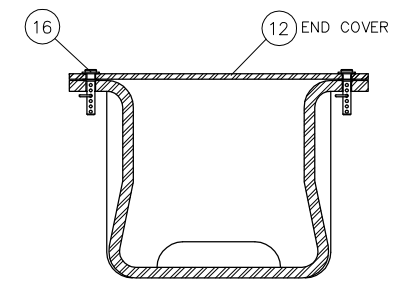
NOTES:

- COORDINATE SWITCH MACHINE AND MACHINE PLATES (NIC) WITH CALTRAIN



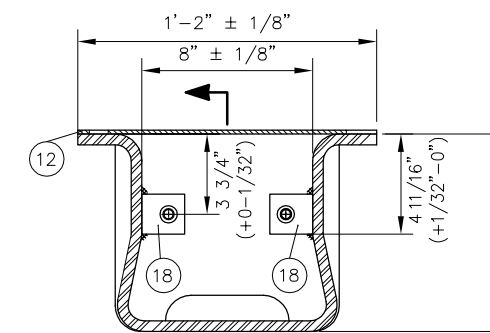
HOLLOW TIE TOP COVER DETAIL

A SECTION
SCALE: NTS



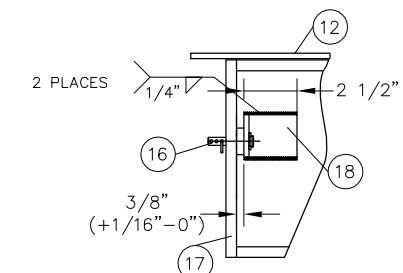
END COVER PLATE

B SECTION
SCALE: NTS



HOLLOW TIE SIDE END COVER DETAIL

C SECTION
SCALE: NTS



WELDING DETAIL

D SECTION
SCALE: NTS

PENINSULA CORRIDOR JOINT POWERS BOARD

STANDARD DRAWINGS

APPROVED BY:

Bernard Anzures *Steph Chen*
ENGINEERING MANAGER DEPUTY DIRECTOR OF ENGINEERING



SPECIAL TRACKWORK
NO 14 TURNOUT
HOLLOW STEEL TIES FOR LH TURNOUT
SWITCH MACHINE ON MAINLINE SIDE

CADD FILE NO.: SD-2620

REV 0 DATE 093011

SPECIAL TRACKWORK

STANDARD NO.: SD-2620

REV	DATE	BY	CHK	APP	DESCRIPTION