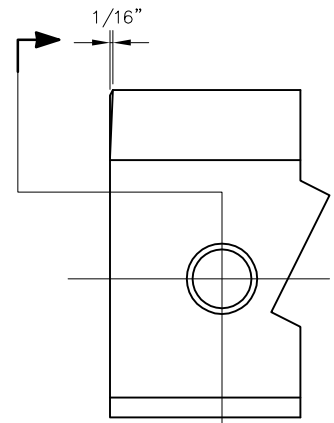
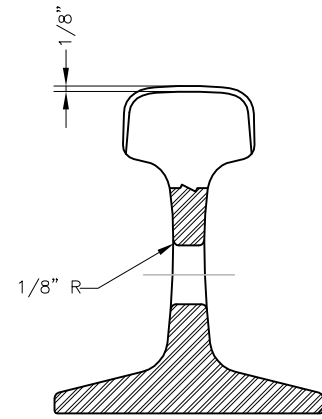


A PARTIAL SECTION
SCALE: NTS



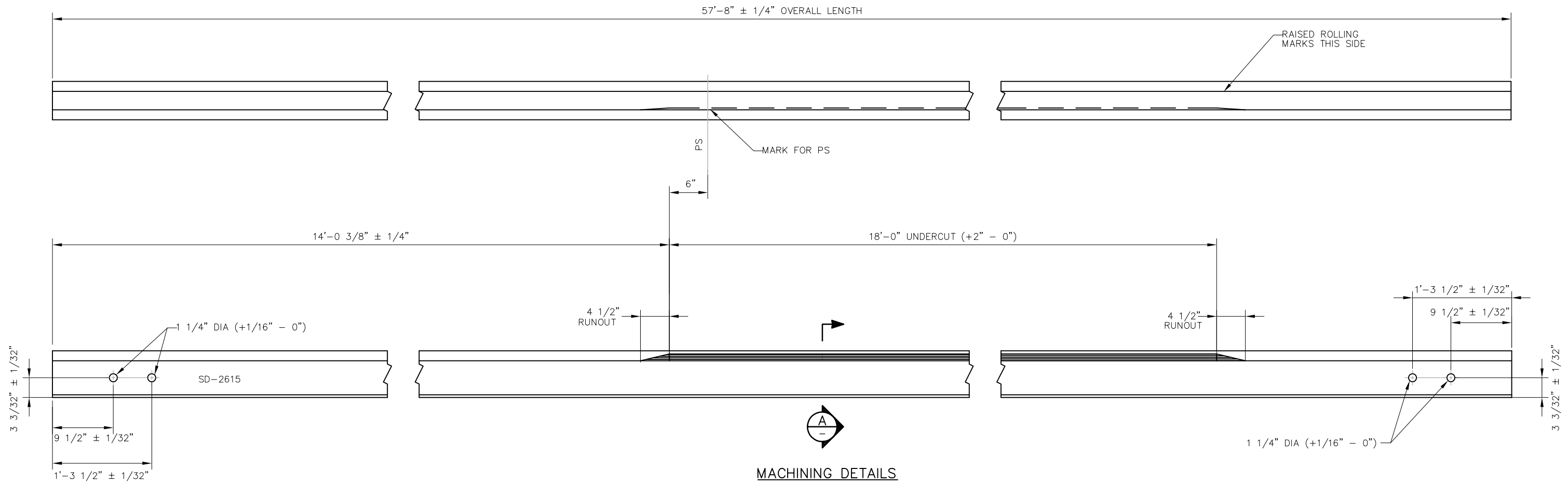
B RAIL END/HOLE BEVELING DETAIL
RAIL HEAD ONLY - NOT BASE



B SECTION
SCALE: NTS

BILL OF MATERIAL		
ITEM	QTY	DESCRIPTION
1	1	RAIL, 136 LB RE 57'-8" LONG

- NOTES:**
1. ALL BURNING METHODS PROHIBITED
 2. ALL BOLT HOLES SHALL BE BEVELED PER DETAIL
 3. POINT OF SWITCH SHALL BE MARKED ON GAUGE SIDE OF WEB WITH A WHITE LINE USING WATERPROOF MARKER OR PAINT
 4. WRITE CALTRAIN SD NUMBER ON WEB OF RAIL WITH WATERPROOF MARKER OR PAINT



REV	DATE	BY	CHK	APP	DESCRIPTION

PENINSULA CORRIDOR JOINT POWERS BOARD

APPROVED BY:

Bernard Anzures *Steph Chen*

ENGINEERING MANAGER DEPUTY DIRECTOR OF ENGINEERING



1250 San Carlos Avenue
San Carlos, CA 94070

STANDARD DRAWINGS

SPECIAL TRACKWORK
NO 14 TURNOUT
SAMSON STOCK RAIL FOR RH TURNOUT
LH STRAIGHT 57'-8" LONG

CADD FILE NO.: SD-2615	
REV 0	DATE 093011
SPECIAL TRACKWORK	
STANDARD NO.: SD-2615	