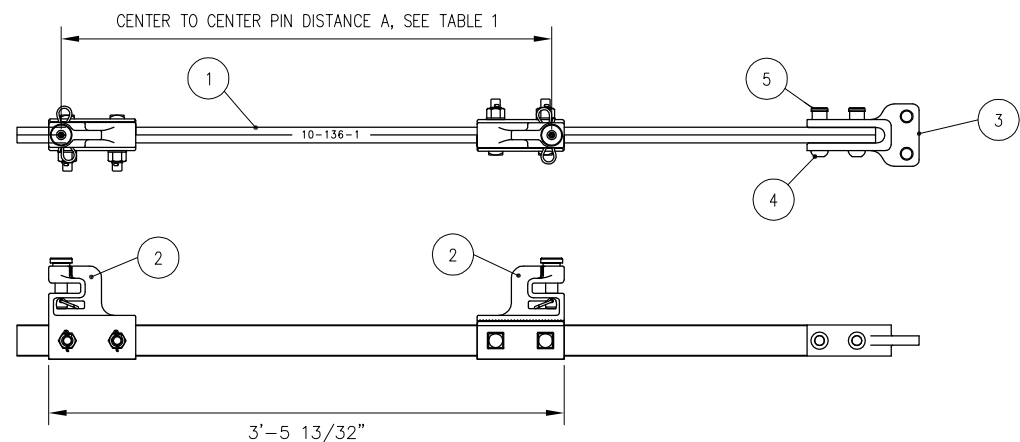
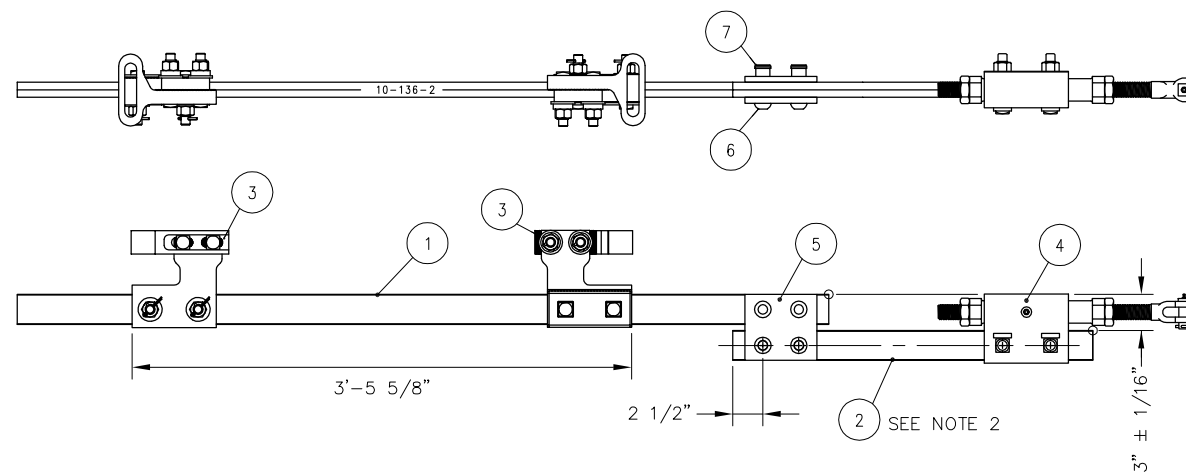


BILL OF MATERIAL FOR SWITCH ROD 10-136-1			
ITEM	QTY	DESCRIPTION	DWG NO
1	1	SWITCH ROD 10-136-1	-
2	2	SWITCH CLIP ASSEMBLY, ADJUSTABLE, FOR HOLLOW TIE COMPOSITE RODS	-
3	1	CONNECTOR LUG FOR POINT DETECTOR/LOCK RODS	-
4	2	HUCK BOLT, 3/4" DIA (C50LR-BR24-36)	-
5	2	HUCK COLLAR, 3/4" DIA (LC-2R24B)	-



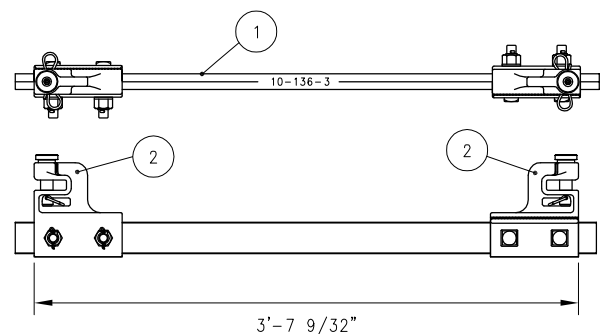
SWITCH ROD ASSEMBLY 10-136-1

BILL OF MATERIAL FOR SWITCH ROD 10-136-2			
ITEM	QTY	DESCRIPTION	DWG NO
1	1	SWITCH ROD HALF 10-136-2A	-
2	1	SWITCH ROD HALF 1-B	-
3	2	CLIP/LUG ASSEMBLY, HST SWITCH, ANTI-ROLLOVER DESIGN	-
4	1	ROD THROW FRONT AND BASKET ASSY, FOR HOLLOW TIE	-
5	2	SPLICE PLATE	-
6	4	HUCK BOLT, 3/4" DIA (C50LR-BR24-36)	-
7	4	HUCK COLLAR, 3/4" DIA (LC-2R24B)	-



SWITCH ROD ASSEMBLY 10-136-2

BILL OF MATERIAL FOR SWITCH ROD 10-136-3			
ITEM	QTY	DESCRIPTION	DWG NO
1	1	SWITCH ROD 10-136-3	-
2	2	SWITCH CLIP ASSEMBLY, ADJUSTABLE, FOR HOLLOW TIE	-



SWITCH ROD ASSEMBLY 10-136-3

TABLE 1

ROD #	A
SWITCH ROD ASSEMBLY 10-136-1	3'- 3 15/16"
SWITCH ROD ASSEMBLY 10-136-2	3'- 4 3/16"
SWITCH ROD ASSEMBLY 10-136-3	3'- 5 9/16"

NOTES:

- ROD IDENTIFICATION SHALL BE ENGRAVED ON ROD CLEARLY AS SHOWN, 3/8" MIN HEIGHT
- SWITCH RODS SHALL BE PARALLEL WITHIN 1/16" OVER LENGTH OF 2-B ROD

REV	DATE	BY	CHK	APP	DESCRIPTION

PENINSULA CORRIDOR JOINT POWERS BOARD		STANDARD DRAWINGS	CADD FILE NO.: SD-2539
APPROVED BY: <i>Bernard Anzures</i> <i>Steph Chen</i>		SPECIAL TRACKWORK NO 10 TURNOUT HOLLOW STEEL TIES SWITCH RODS 10-1, 10-2, 10-3	REV: 0 DATE: 093011
ENGINEERING MANAGER	DEPUTY DIRECTOR OF ENGINEERING		STANDARD NO.: SD-2539

