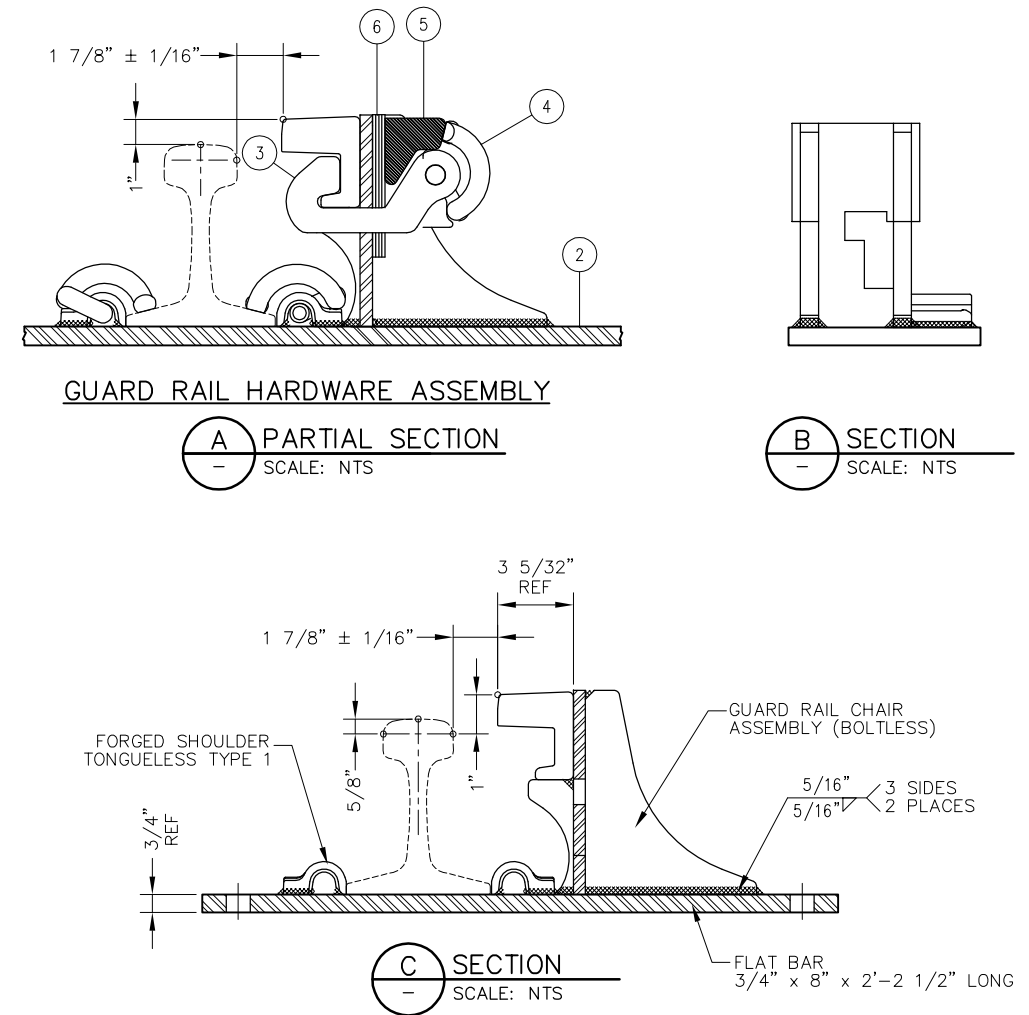
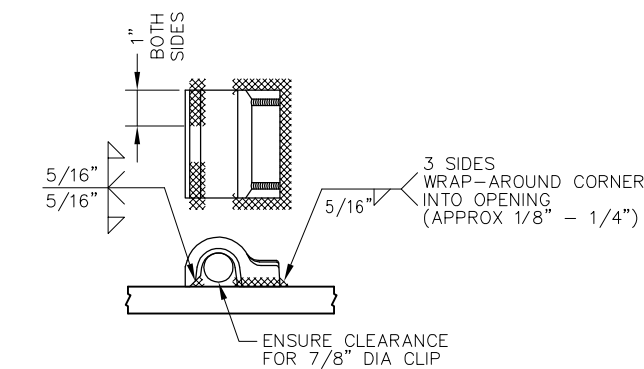
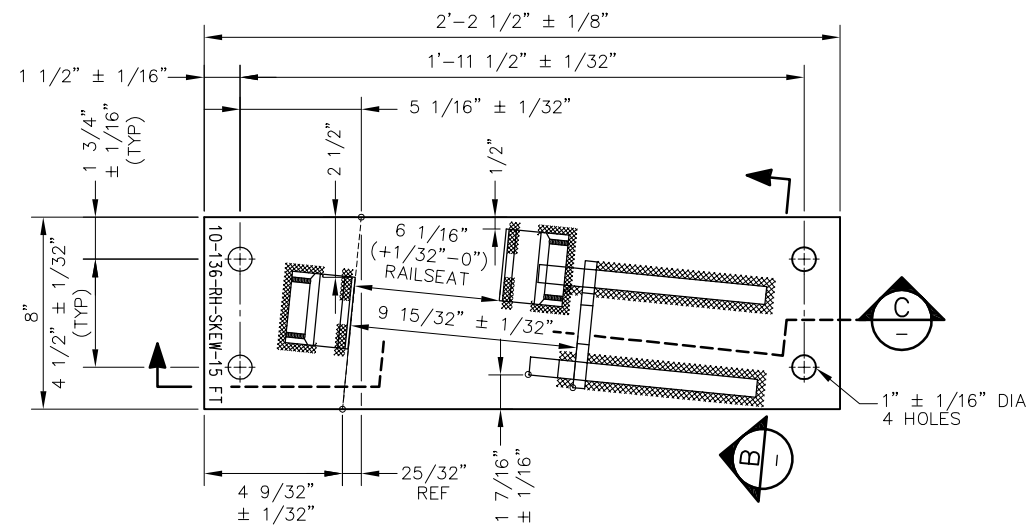
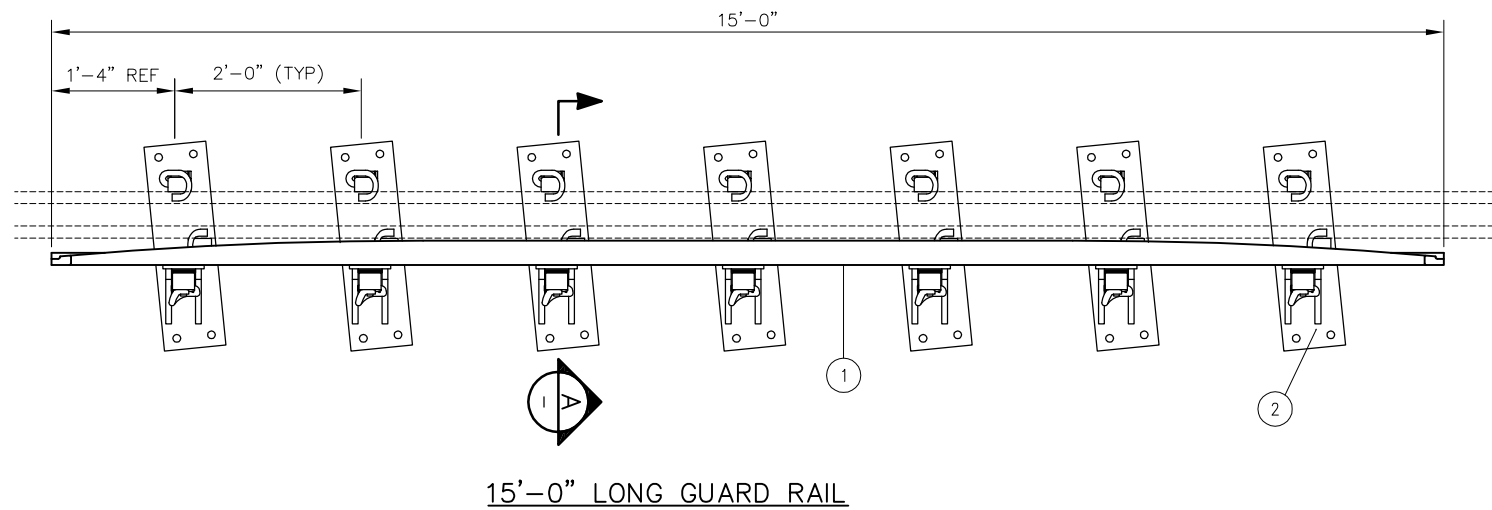


BILL OF MATERIAL			
ITEM	QTY	DESCRIPTION	DWG NO
1	1	GUARD BAR, UIC33 1200 SERIES x 15'-0" LONG	-
2	7	GUARD RAIL PLATE ASSEMBLY, RAISED 1", RH SKEWED	-
3	7	H-CLAMP	-
4	21	CLIP, PANDROL, E2055	-
5	7	LOCKING BLOCK	-
6	28	SHIM, 1/8" X 3" X 6"	-



NOTES

1. PLATE SPACING IS SET FOR SHIPPING ONLY. FINAL PLATE SPACING SHALL BE DETERMINED BY TIE SPACING AT TIME OF INSTALLATION.
2. PANDROL SPRING CLIPS (E2055) SHALL BE INCLUDED IN ASSEMBLY.
3. LIFT POINTS AND WEIGHT OF ASSEMBLY SHALL BE MARKED ON HEAD OF WEAR BAR WITH WHITE PAINT.
4. PLATE SHALL BE STAMPED WITH PLATE I.D. WITH 1/2" HIGH CHARACTERS AS SHOWN.
5. GRIND AWAY CORNER OF PANDROL SHOULDER TO CLEAR FOOT OF CHAIR ASSEMBLY.
6. SEE SD-2301 FOR STRAIGHT SIDE GUARD RAIL.

REV	DATE	BY	CHK	APP	DESCRIPTION	REV	DATE	BY	CHK	APP	DESCRIPTION

PENINSULA CORRIDOR JOINT POWERS BOARD

APPROVED BY:

ENGINEERING MANAGER

DEPUTY DIRECTOR OF ENGINEERING

1250 San Carlos Avenue
San Carlos, CA 94070

STANDARD DRAWINGS

SPECIAL TRACKWORK
NO 10 TURNOUT
GUARD RAIL ASSEMBLY
RH SKEWED WITH PLATES 15'-0" LONG

CADD FILE NO.: SD-2534	
REV 0	DATE 093011
SPECIAL TRACKWORK	
STANDARD NO.: SD-2534	