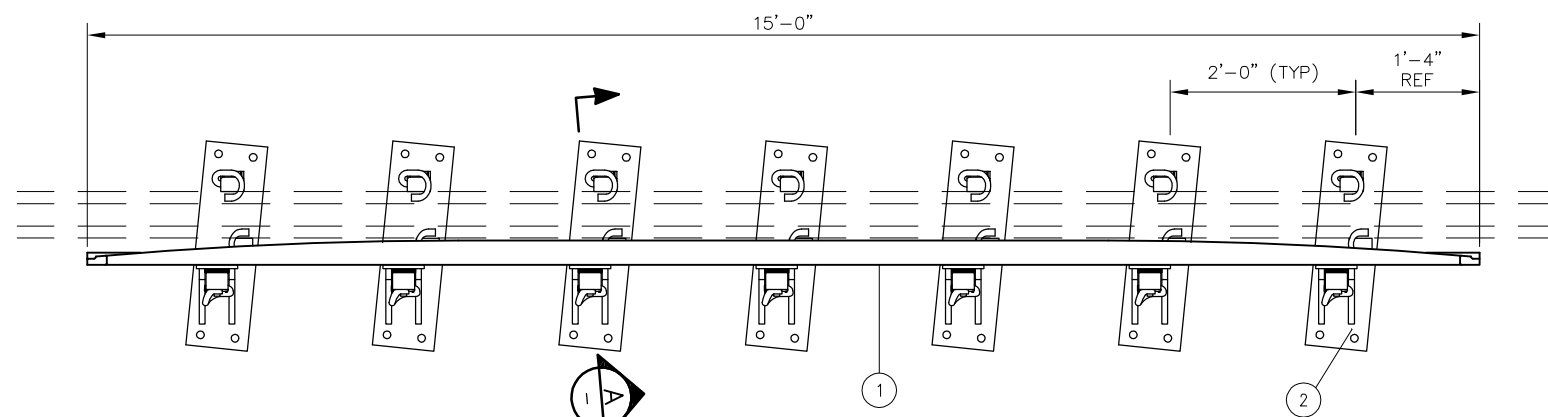
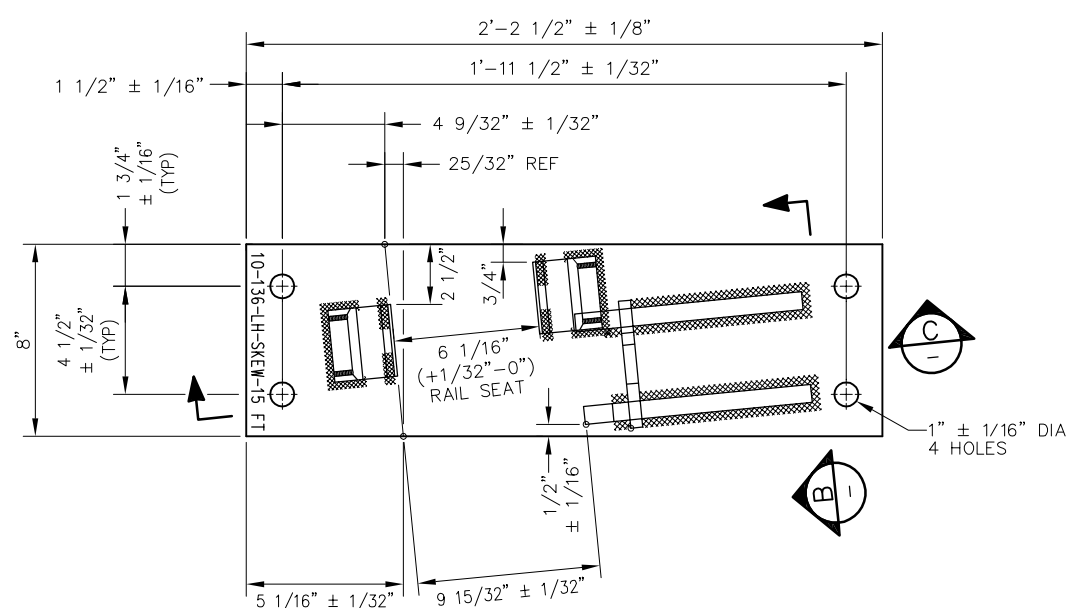


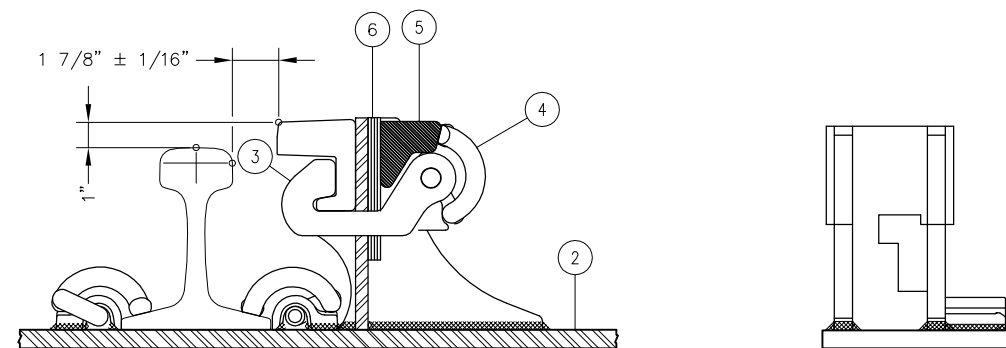
BILL OF MATERIAL			
ITEM	QTY	DESCRIPTION	DWG NO
1	1	GUARD BAR, UIC33 1200 SERIES x 15'-0" LONG	-
2	7	GUARD RAIL PLATE ASSEMBLY, RAISED 1", LH SKEWED	-
3	7	H-CLAMP	-
4	21	CLIP, PANDROL, E2055	-
5	7	LOCKING BLOCK	-
6	28	SHIM, 1/8" x 3" X 6"	-



15'-0" LONG GUARD RAIL



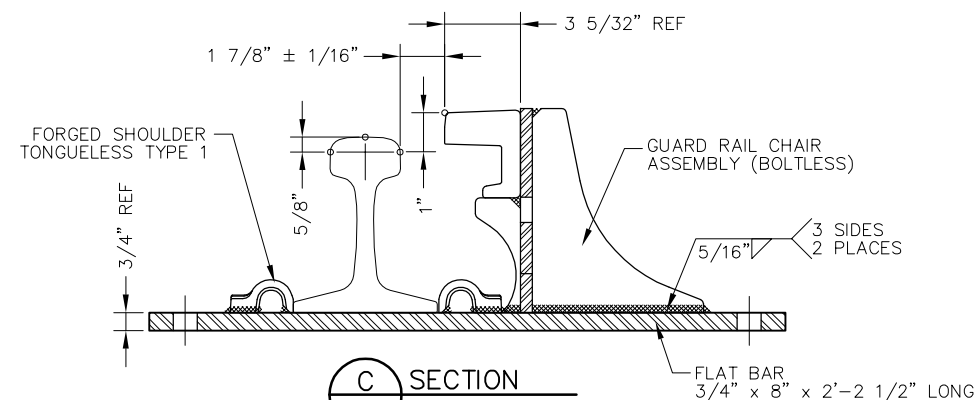
GUARD RAIL PLATE ASSEMBLY



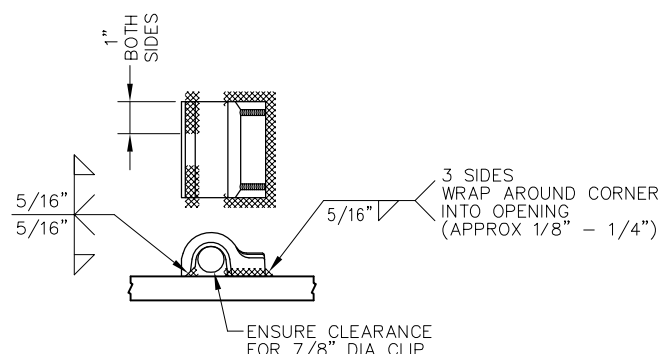
GUARD RAIL HARDWARE ASSEMBLY

A PARTIAL SECTION
SCALE: NTS

B SECTION
SCALE: NTS



C SECTION
SCALE: NTS






FORGED SHOULDER WELDING DETAIL

NOTES

1. PLATE SPACING IS SET FOR SHIPPING ONLY. FINAL PLATE SPACING SHALL BE DETERMINED BY TIE SPACING AT TIME OF INSTALLATION
2. PANDROL SPRING CLIPS (E2055) SHALL BE INCLUDED IN ASSEMBLY
3. LIFT POINTS AND WEIGHT OF ASSEMBLY SHALL BE MARKED ON HEAD OF WEAR BAR WITH WHITE PAINT
4. PLATE SHALL BE STAMPED WITH PLATE I.D. WITH 1/2" HIGH CHARACTERS AS SHOWN
5. GRIND AWAY CORNER OF PANDROL SHOULDER TO CLEAR FOOT OF CHAIR ASSEMBLY
6. SEE SD-2301 FOR STRAIGHT SIDE GUARD RAIL

REV	DATE	BY	CHK	APP	DESCRIPTION

PENINSULA CORRIDOR JOINT POWERS BOARD		STANDARD DRAWINGS		CADD FILE NO: SD-2533
APPROVED BY:				REV 0
 				DATE 093011
ENGINEERING MANAGER		DEPUTY DIRECTOR OF ENGINEERING		SPECIAL TRACKWORK
1250 San Carlos Avenue San Carlos, CA 94070		SPECIAL TRACKWORK NO 10 TURNOUT GUARD RAIL ASSEMBLY LH SKEWED WITH PLATES 15'-0" LONG		STANDARD NO.: SD-2533