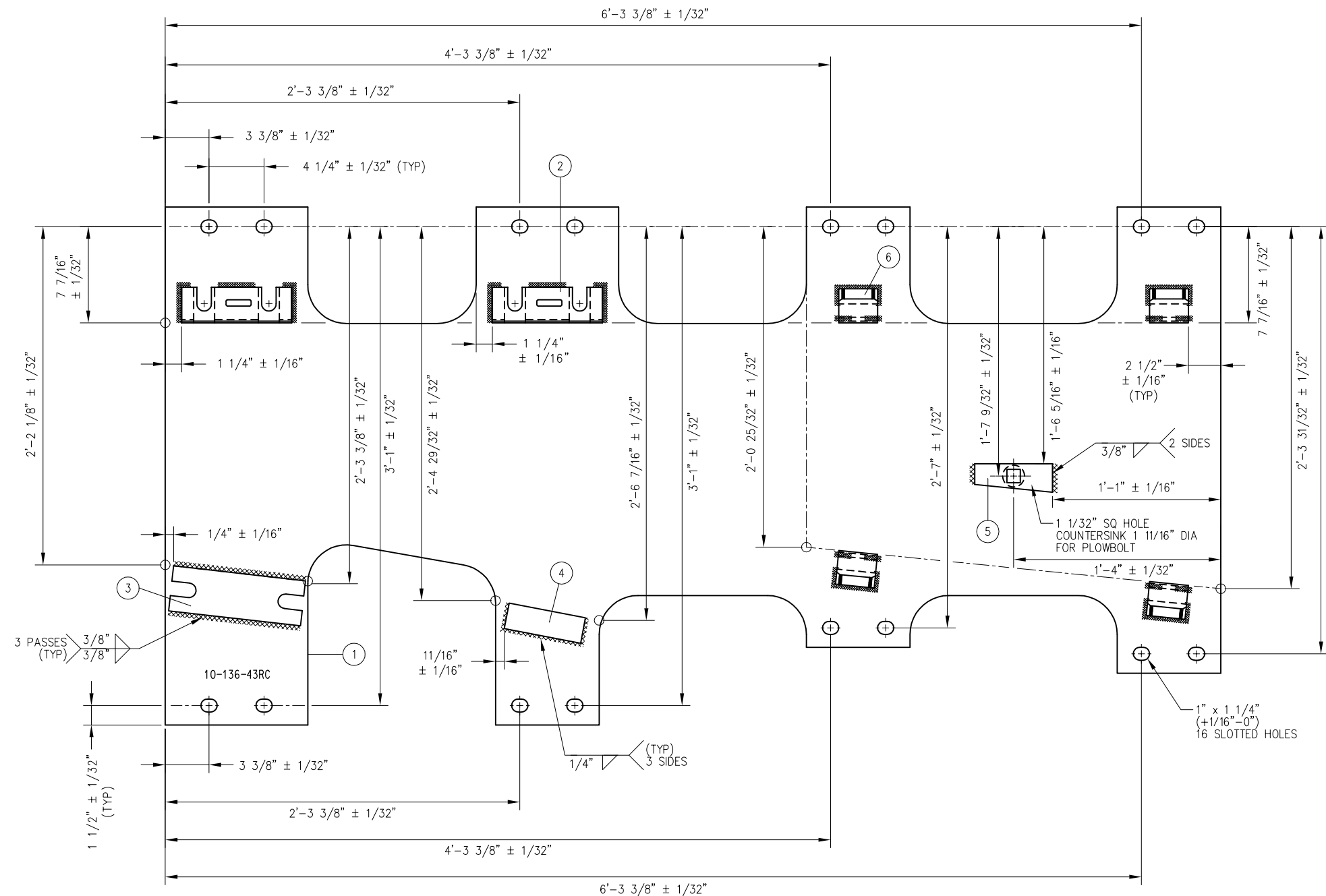
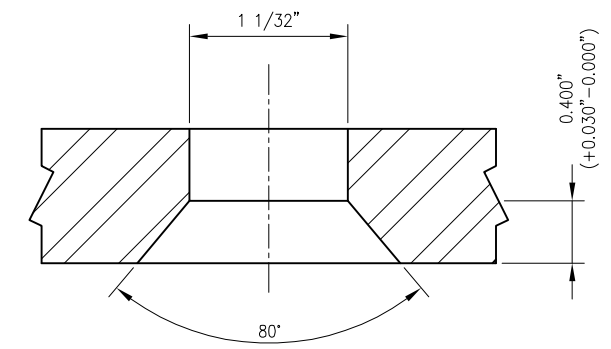


BILL OF MATERIAL			
ITEM	QTY	DESCRIPTION	DWG NO
1	1	BURNED PLATE, 3/4" THICK	-
2	2	CAPTURE BLOCK FOR PLATE CLIP	-
3	1	CAPTURE BLOCK FOR HORN KEEPER	-
4	1	FLAT BAR, ASTM A36, 1/2" THICK x 2" x 6" LONG	-
5	1	STOP 6" x 1 19/32" x 2 7/32" x 7/16 THICK	-
6	4	SHOULDER, PANDROL, FORGED TONGUELESS, TYPE 1	-



BASE PLATE 10-43RC






COUNTERSINK DETAIL  
(PLOW BOLT)

NOTES

1. I.D. CHARACTERS SHALL BE 1/2" MINIMUM HEIGHT CLEARLY STAMPED AS SHOWN
2. WELDS SHALL BE DRESSED FLUSH WITH SHOULDERS AND STOPS AND NOT TO PROTRUDE INTO RAIL SEAT
3. OPENINGS IN BOLT CAPTURE BLOCKS SHALL BE FREE OF WELD AND SPATTER
4. SLOTTED HOLE CENTERS ARE INDICATED ON DRAWING
5. SEE SD-2525 FOR SHOULDER WELDING DETAIL

REV	DATE	BY	CHK	APP	DESCRIPTION

<b>PENINSULA CORRIDOR JOINT POWERS BOARD</b>		<b>STANDARD DRAWINGS</b>		CADD FILE NO: SD-2529	
APPROVED BY:				REV	DATE
 				0	093011
ENGINEERING MANAGER		DEPUTY DIRECTOR OF ENGINEERING		SPECIAL TRACKWORK	
1250 San Carlos Avenue San Carlos, CA 94070		SPECIAL TRACKWORK NO 10 TURNOUT WSM FROG RH FROG BASE PLATE 10-43RC		STANDARD NO.: SD-2529	