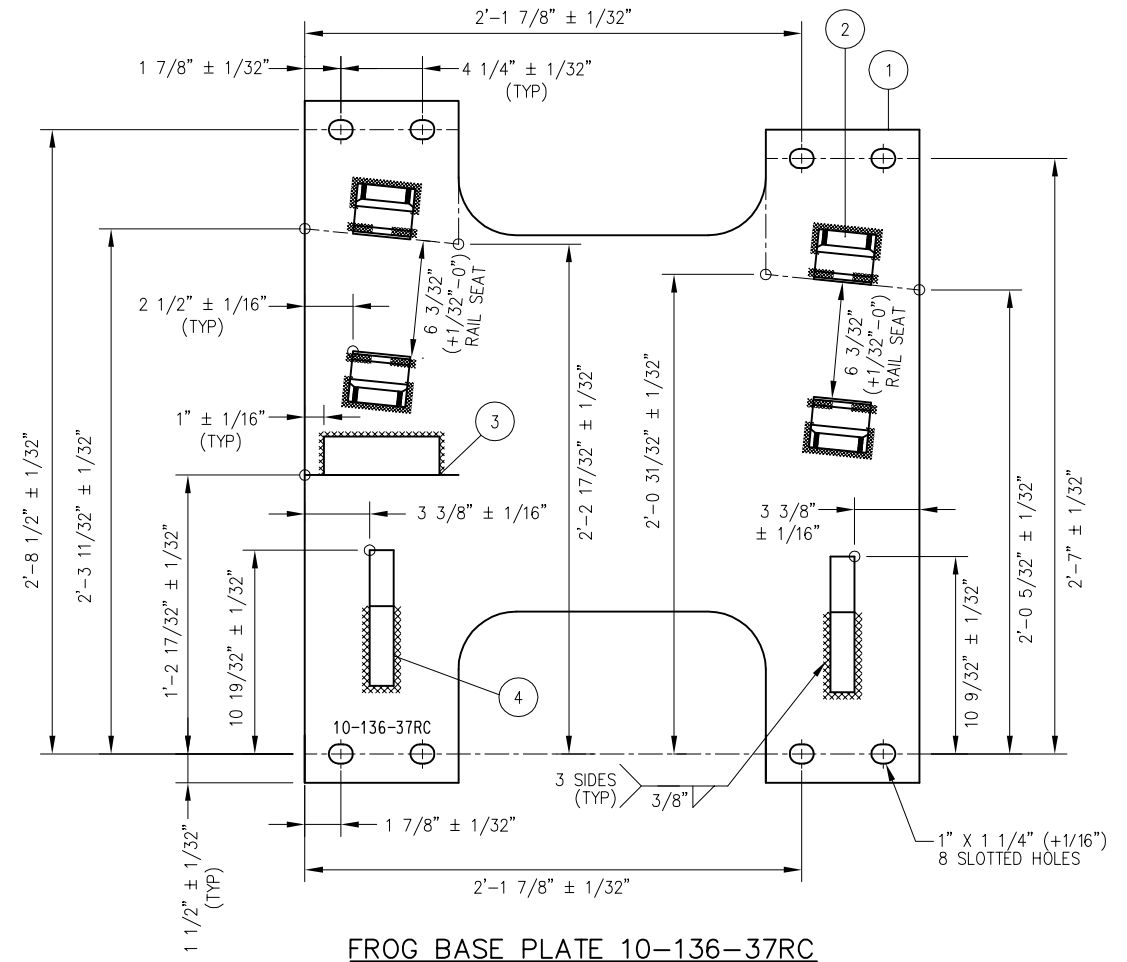
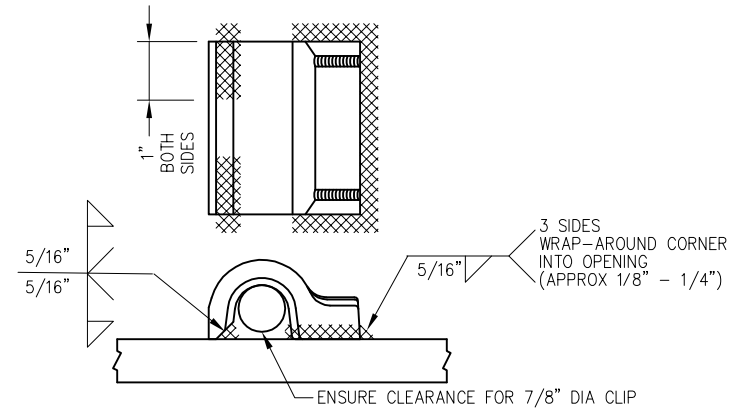


FROG BASE PLATE 10-136-34RC

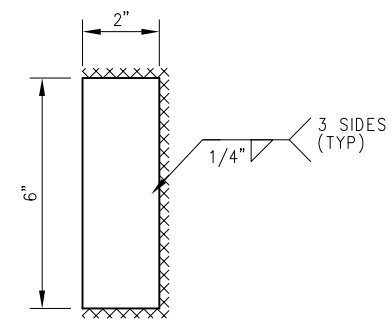
BILL OF MATERIAL				
ITEM	QTY FOR 10-34RC	QTY FOR 10-37RC	DESCRIPTION	DWG NO
1	1	1	BURNED PLATE, 3/4" THICK	-
2	5	4	SHOULDER, PANDROL, FORGED TONGUELESS, TYPE 1	-
3	1	1	FLAT BAR, ASTM A36, 2" x 6" x 1/2" THICK	-
4	0	2	BURNED BRACE, 132/136 LB RE, HR A36 1 1/4" THICK	-



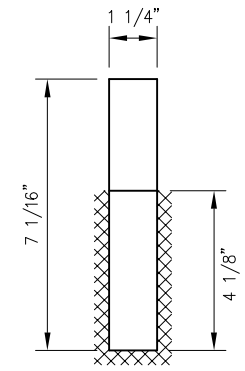
FROG BASE PLATE 10-136-37RC



FORGED SHOULDER WELDING DETAIL



2" x 6" x 1/2" STOP WELDING DETAIL



7 1/16" x 1 1/4" x 1/2" 132/136 LB RE BURNED BRACE

- NOTES**
1. I.D. CHARACTERS SHALL BE 1/2" MINIMUM HEIGHT CLEARLY STAMPED AS SHOWN
  2. WELDS SHALL BE DRESSED FLUSH WITH SHOULDERS AND STOPS AND NOT TO PROTRUDE INTO RAIL SEAT
  3. SLOTTED HOLE CENTERS ARE INDICATED ON DRAWING

REV	DATE	BY	CHK	APP	DESCRIPTION

**PENINSULA CORRIDOR JOINT POWERS BOARD**

APPROVED BY:






1250 San Carlos Avenue  
San Carlos, CA 94070

**STANDARD DRAWINGS**

SPECIAL TRACKWORK  
 NO 10 TURNOUT  
 WSM FROG RH  
 FROG BASE PLATES 10-34RC AND 10-37RC

CADD FILE NO:	SD-2525
REV	DATE
0	093011
SPECIAL TRACKWORK	
STANDARD NO.:	SD-2525