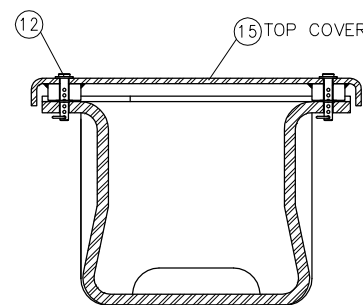


NOTE:

1. COORDINATE SWITCH MACHINE AND MACHINE PLATES (NIC) WITH CALTRAIN

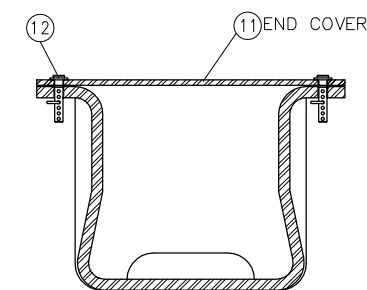
| BILL OF MATERIAL | | | |
|------------------|-----|--|---------|
| ITEM | QTY | DESCRIPTION | DWG NO |
| 1 | 1 | RODDING ASSEMBLY FOR NO 10-136 LB RE, SWITCH MACHINE ON RIGHT SIDE | SD-2538 |
| 2 | 1 | HOLLOW TIE ASSEMBLY (HT-1RR-10-136) | - |
| 3 | 1 | HOLLOW TIE ASSEMBLY (HT-2RR-10-136) | - |
| 4 | 1 | HOLLOW TIE ASSEMBLY (HT-5R-10-136) | - |
| 5* | 2 | COVER PLATE NO1, HOLLOW SWITCH TIE | - |
| 6 | 6 | LV BRACE FOR 136 LB RE | - |
| 7 | 6 | SERRATED WASHER FOR LV BRACE | - |
| 8 | 6 | CLIP, PANDROL, FC1601 | - |
| 9 | 6 | CLIP, PANDROL, E2055 | - |
| 10 | 12 | RAIL ANCHOR, UNIT DRIVE-ON TYPE 5 | - |
| 11 | 2 | STEEL COVER PLATE FOR HST TIE, TOP END | - |
| 12 | 20 | PUSH PIN ASSEMBLY FOR HST COVERS | - |
| 13 | 2 | STEEL SIDE END COVER PLATE ASSEMBLY FOR HST TIE | - |
| 14 | 4 | COVER SUPPORT BRACKET | - |
| 15* | 1 | COVER PLATE NO2, HOLLOW SWITCH TIE | - |
| 16 | 3 | HST SWITCH PLATE HTP-206-STR | SD-2305 |
| 17 | 2 | HST SWITCH PLATE HTP-201-R | SD-2308 |
| 18 | 1 | HST SWITCH PLATE HTP-205-R | SD-2310 |
| 19 | 6 | SIDE POST INSULATOR FOR FC1600 SERIES PANDROL FAST CLIP | SD-2313 |
| 20 | 6 | TOE INSULATOR FOR FC1600 SERIES PANDROL FAST CLIP | SD-2314 |

* NOT SHOWN ON ASSEMBLY FOR CLARITY



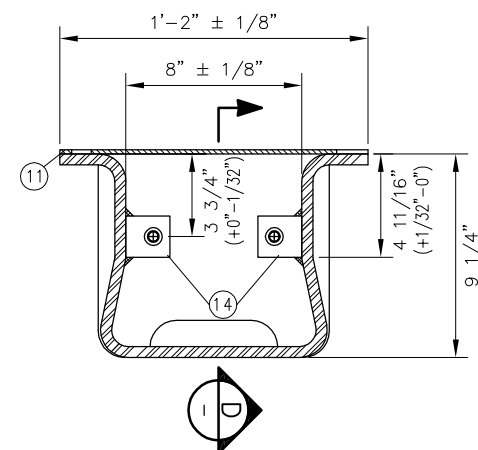
HOLLOW TIE TOP COVER DETAIL

A SECTION
SCALE: NTS



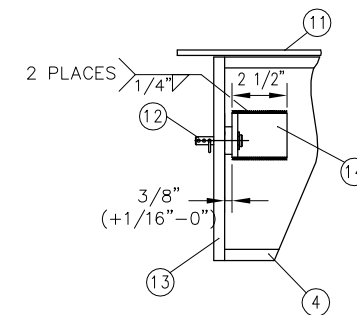
END COVER PLATE

B SECTION
SCALE: NTS



HOLLOW TIE SIDE END COVER DETAIL

C SECTION
SCALE: NTS





WELDING DETAIL

D SECTION
SCALE: NTS


| REV | DATE | BY | CHK | APP | DESCRIPTION |
|-----|------|----|-----|-----|-------------|
| | | | | | |
| | | | | | |
| | | | | | |

PENINSULA CORRIDOR JOINT POWERS BOARD

APPROVED BY:

ENGINEERING MANAGER DEPUTY DIRECTOR OF ENGINEERING



1250 San Carlos Avenue
San Carlos, CA 94070

STANDARD DRAWINGS

SPECIAL TRACKWORK
NO 10 TURNOUT
HOLLOW STEEL TIES FOR RH TURNOUT
SWITCH MACHINE TURNOUT SIDE

| | |
|-------------------|---------|
| CADD FILE NO.: | SD-2521 |
| REV | DATE |
| 0 | 093011 |
| SPECIAL TRACKWORK | |
| STANDARD NO.: | SD-2521 |