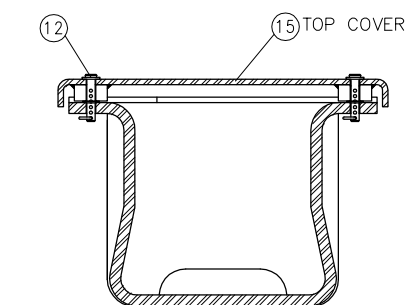


**NOTE:**

1. COORDINATE SWITCH MACHINE AND MACHINE PLATES (NIC) WITH CALTRAIN

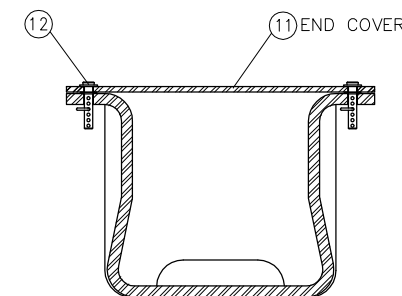
BILL OF MATERIAL			
ITEM	QTY	DESCRIPTION	DWG NO
1	1	RODDING ASSEMBLY FOR NO 10-136 LB RE, SWITCH MACHINE ON LEFT SIDE	SD-2537
2	1	HOLLOW TIE ASSEMBLY (HT-1RL-10-136)	-
3	1	HOLLOW TIE ASSEMBLY (HT-2RL-10-136)	-
4	1	HOLLOW TIE ASSEMBLY (HT-5R-10-136)	-
5*	2	COVER PLATE NO1, HOLLOW SWITCH TIE	-
6	6	LV BRACE FOR 136 LB RE	-
7	6	SERRATED WASHER FOR LV BRACE	-
8	6	CLIP, PANDROL, FC1601	-
9	6	CLIP, PANDROL, E2055	-
10	12	RAIL ANCHOR UNIT DRIVE-ON TYPE 5	-
11	2	STEEL COVER PLATE FOR HST TIE, TOP END	-
12	20	PUSH PIN ASSEMBLY FOR HST COVERS	-
13	2	STEEL SIDE END COVER PLATE ASSEMBLY FOR HST TIE	-
14	4	COVER SUPPORT BRACKET	-
15*	1	COVER PLATE NO2, HOLLOW SWITCH TIE	-
16	3	HST SWITCH PLATE HTP-206-STR	SD-2305
17	2	HST SWITCH PLATE HTP-201-R	SD-2308
18	1	HST SWITCH PLATE HTP-205-R	SD-2310
19	6	SIDE POST INSULATOR FOR FC1600 SERIES PANDROL FAST CLIP	SD-2313
20	6	TOE INSULATOR FOR FC1600 SERIES PANDROL FAST CLIP	SD-2314

\* NOT SHOWN ON ASSEMBLY FOR CLARITY



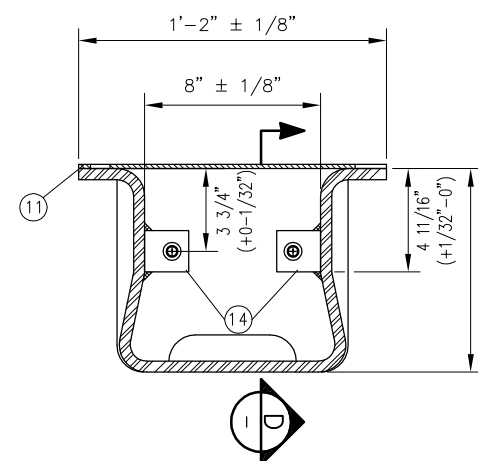
HOLLOW TIE TOP COVER DETAIL

**A** SECTION  
SCALE: NTS



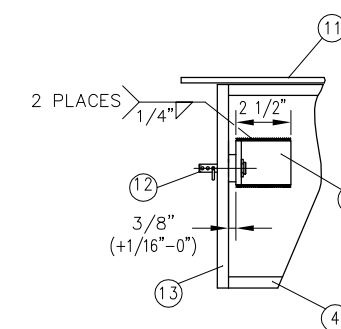
END COVER PLATE

**B** SECTION  
SCALE: NTS



HOLLOW TIE SIDE END COVER DETAIL

**C** SECTION  
SCALE: NTS



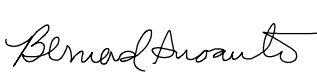

WELDING DETAIL


**D** SECTION  
SCALE: NTS

REV	DATE	BY	CHK	APP	DESCRIPTION

**PENINSULA CORRIDOR JOINT POWERS BOARD**

APPROVED BY:



1250 San Carlos Avenue  
San Carlos, CA 94070

**STANDARD DRAWINGS**

SPECIAL TRACKWORK  
NO 10 TURNOUT  
HOLLOW STEEL TIES FOR RH TURNOUT  
SWITCH MACHINE ON MAINLINE SIDE

CADD FILE NO.: SD-2519	
REV 0	DATE 093011
SPECIAL TRACKWORK	
STANDARD NO.: SD-2519	