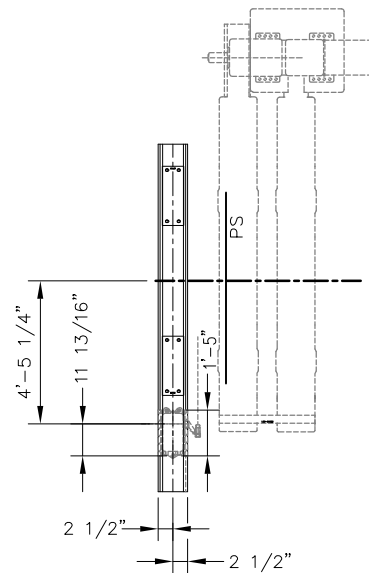
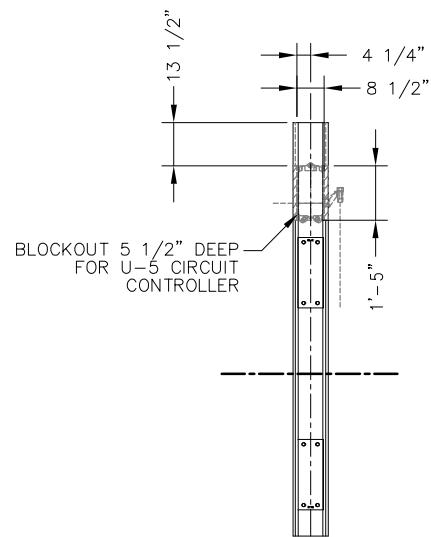


TIE "O" PLACEMENT
SWITCH MACHINE
ON TURNOUT (RH) SIDE



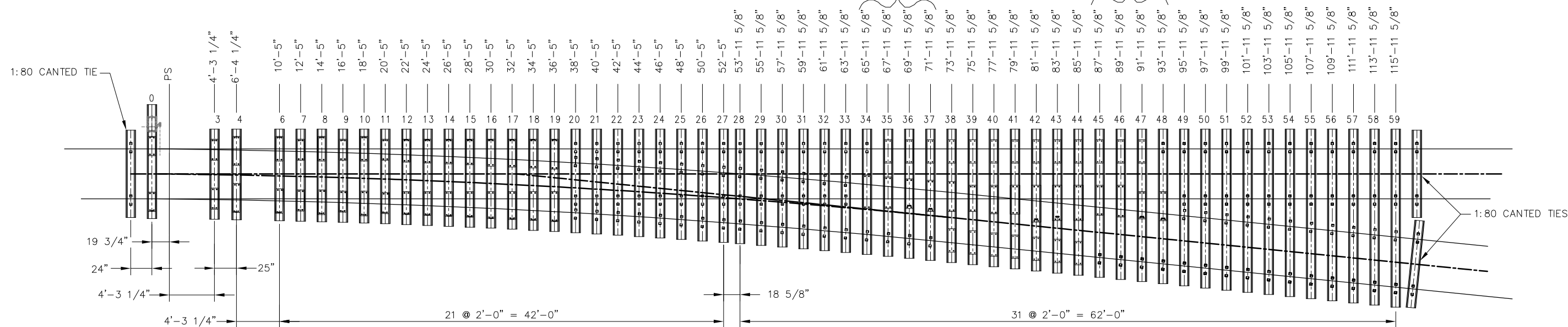
TIE "O" PLACEMENT
SWITCH MACHINE
ON MAINLINE (LH) SIDE



TIE "O" BLOCKOUT DETAIL

BILL OF MATERIALS (TIES 1, 2, & 5)			
ITEM	QTY	DESCRIPTION	DWG NO
1	3	TIES 1, 2, AND 5 (HOLLOW STEEL TIES) FOR RH TURNOUT WITH POWER SWITCH MACHINE ON MAINLINE SIDE	SD-2519
2	3	TIES 1, 2, AND 5 (HOLLOW STEEL TIES) FOR RH TURNOUT WITH POWER SWITCH MACHINE ON TURNOUT SIDE	SD-2521

PLATING IS 3/4" THICK. RAISE OUTSIDE RAIL SEATS ACCORDINGLY. ALL RAIL SEATS ARE FLAT



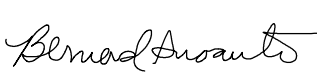

NOTES:

1. SET SHALL INCLUDE TIES 0, 3, 4, 6 THROUGH 59, THREE 1:80 CANTED TIES, PLATE TIE PADS AND PIM INSERTS
2. TIE LENGTHS ARE DETERMINED BY ADDING 1'-10 7/16" FROM RAIL GAUGE LINE OR (1'-9" FROM RAIL CENTERLINE) PER SIDE AT THE CENTERLINE OF EACH TIE LOCATION
3. ALL TIES ARE FLAT (NON-CANTED) EXCEPT 1:80 CANTED TRANSITION TIES
4. TRANSITION TIES (QUANTITY 3) SHALL INCORPORATE 1:80 CANTED RAIL SEATS AND USE 4'-8 1/2" BETWEEN STRAIGHT RAIL SEAT GAUGES. LENGTH SHALL BE 8'-3"
5. THIS DRAWING SHOWS TIE "0" PLACEMENT FOR SWITCH MACHINE ON RH/TURNOUT SIDE
6. USE OPPOSITE HAND FOR SWITCH MACHINE ON THE LH/MAINLINE SIDE
7. SEE BILL OF MATERIALS TABLE FOR TIES 1, 2, AND 5

REV	DATE	BY	CHK	APP	DESCRIPTION

PENINSULA CORRIDOR JOINT POWERS BOARD

APPROVED BY:

ENGINEERING MANAGER DEPUTY DIRECTOR OF ENGINEERING



1250 San Carlos Avenue
San Carlos, CA 94070

STANDARD DRAWINGS

SPECIAL TRACKWORK
NO 10 TURNOUT
HOLLOW STEEL TIE AND CONCRETE TIE
LAYOUT FOR RH TURNOUT

CADD FILE NO.: SD-2517	
REV 0	DATE 093011
SPECIAL TRACKWORK	
STANDARD NO.: SD-2517	