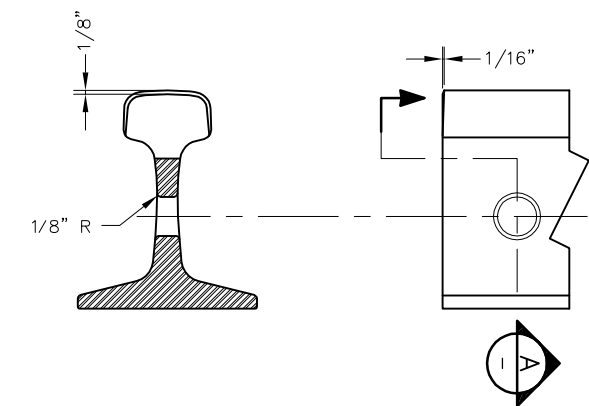
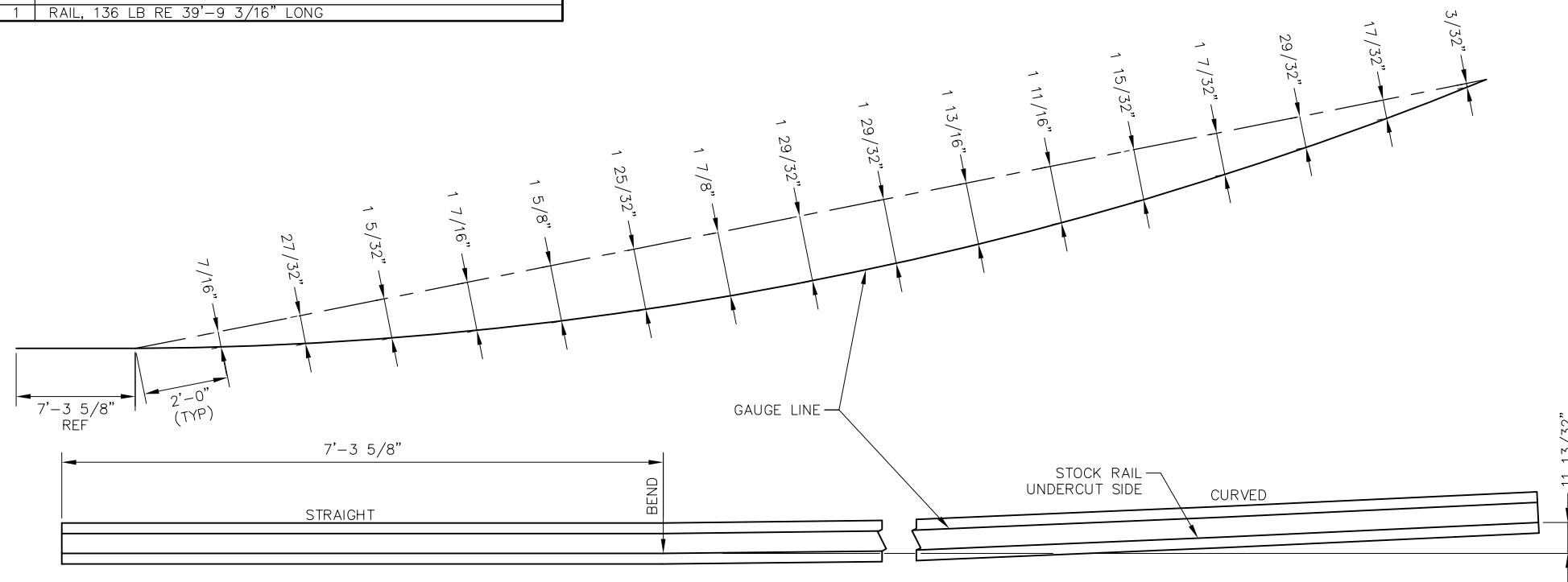
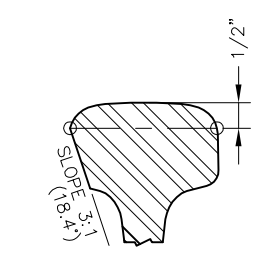


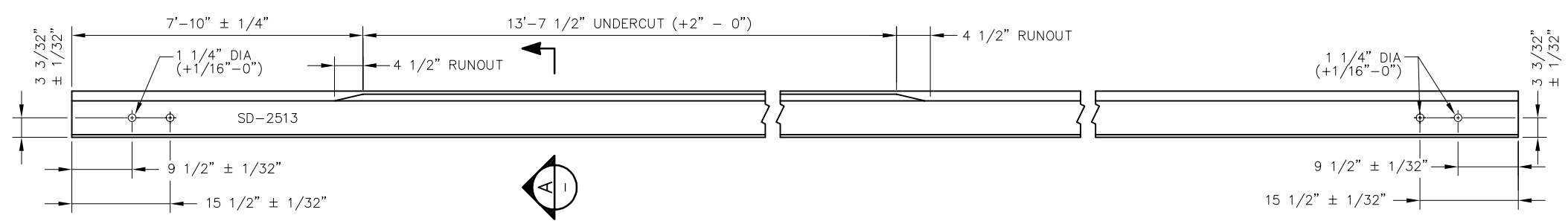
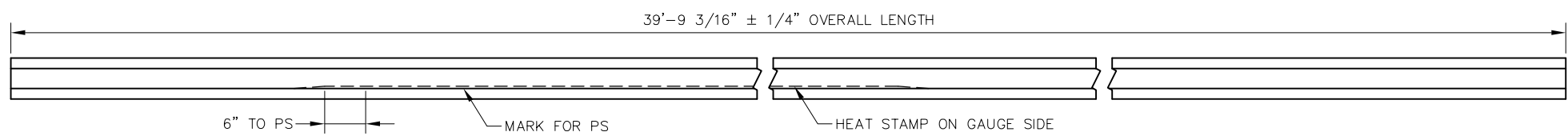
BILL OF MATERIAL		
ITEM	QTY	DESCRIPTION
1	1	RAIL, 136 LB RE 39'-9 3/16" LONG



**RAIL END / HOLE BEVELING DETAILS**  
RAIL HEAD ONLY - NOT BASE



**A PARTIAL SECTION**  
SCALE: NTS



- NOTES:**
1. ALL BURNING METHODS PROHIBITED
  2. ALL BOLT HOLES SHALL BE BEVELED PER DETAIL
  3. POINT OF SWITCH SHALL BE MARKED ON GAUGE SIDE OF WEB WITH A WHITE LINE USING WATERPROOF MARKER OR PAINT
  4. WRITE CALTRAIN SD NUMBER ON WEB OF RAIL WITH WATERPROOF MARKER OR PAINT

REV	DATE	BY	CHK	APP	DESCRIPTION

**PENINSULA CORRIDOR JOINT POWERS BOARD**

APPROVED BY:






1250 San Carlos Avenue  
San Carlos, CA 94070

STANDARD DRAWINGS		CADD FILE NO.:
<b>SPECIAL TRACKWORK</b> NO 10 TURNOUT SAMSON STOCK RAIL FOR LH TURNOUT LH CURVED 39'-9 3/16" LONG		SD-2513
REV	DATE	
0	093011	
STANDARD NO.:		
SD-2513		