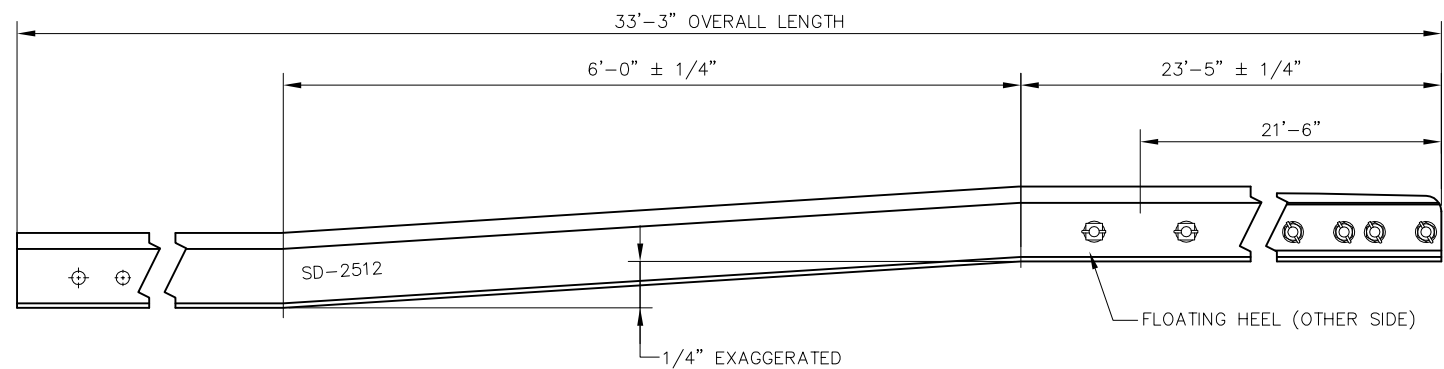
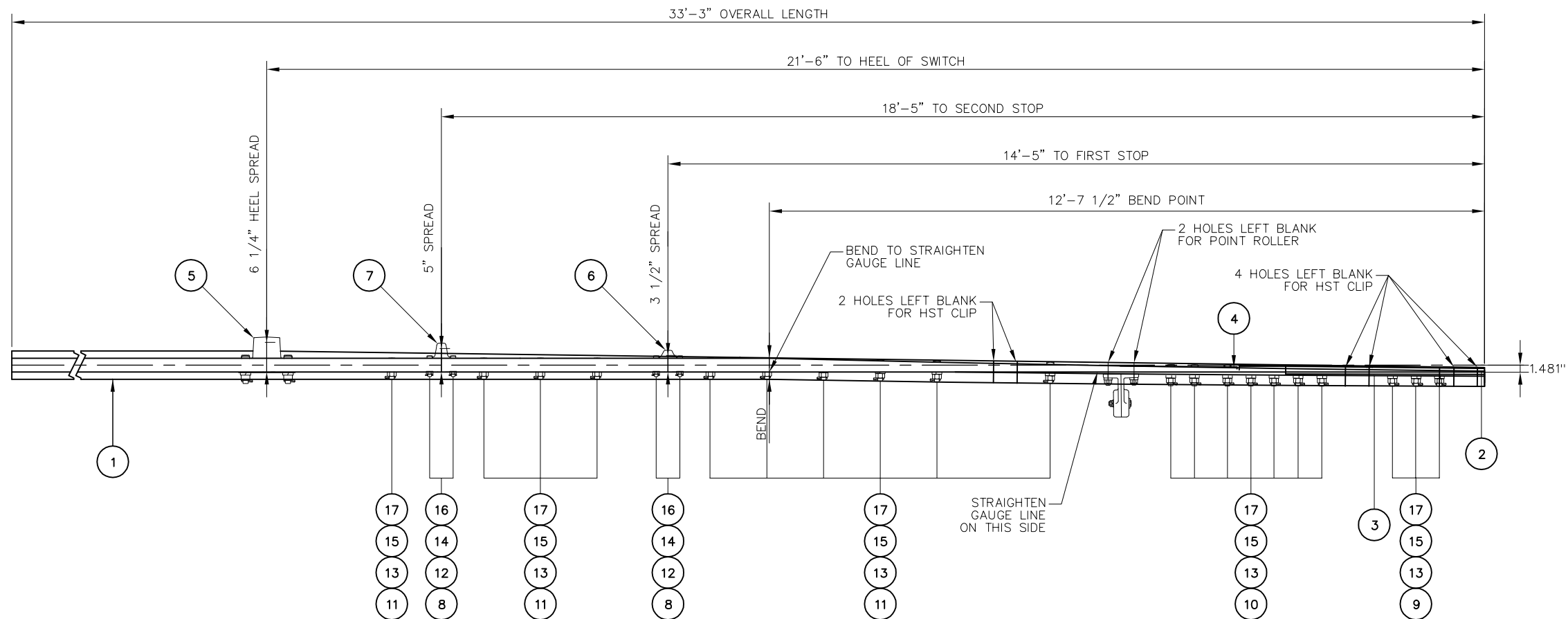


BILL OF MATERIAL				BILL OF MATERIAL			
ITEM	QTY	DESCRIPTION		ITEM	QTY	DESCRIPTION	
1	1	SWITCH POINT RAIL, 33'-3" LONG, UR MANG TIP, STRAIGHT, RH		10	7	BOLT, 1" DIA x 4" LONG, THIN SQ HEAD DRILLED @ 3 1/2" GRADE 5	
2	1	MANGANESE TIP, 21'-6" LONG, 136 LB RE SAMSON SWITCH POINT, RH		11	10	BOLT, 1" DIA x 4" LONG, SQ HEAD DRILLED @ 3 7/16" GRADE 5	
3	1	REINFORCING BAR, GAUGE SIDE, 1/2" x 19'-6" LONG, SAMSON, RH POINT		12	4	NUT, 3/4" DIA HEAVY HEX, GRADE 5	
4	1	REINFORCING BAR, STOCK SIDE, 1/2" x 15'-1 7/8" LONG, SAMSON, RH POINT		13	20	NUT, 1" DIA HEAVY HEX, GRADE 5	
5	1	HEEL BLOCK ASSEMBLY, FLOATING C/W HARDWARE		14	4	SPRING WASHER, 3/4" DIA	
6	1	POINT STOP 2 5/16" HIGH		15	20	SPRING WASHER, 1" DIA	
7	1	POINT STOP 3 13/16" HIGH		16	4	COTTER PIN, 3/16" DIA x 1 3/4" LONG	
8	4	BOLT, 3/4" DIA x 4" LONG, SQUARE HEAD DRILLED @ 3 9/16" GRADE 5		17	20	COTTER PIN, 1/4" DIA x 2" LONG	
9	3	BOLT, 1" DIA x 3 3/4" LONG, THIN SQUARE HEAD DRILLED @ 3 7/32" GRADE 5					



SIDE VIEW - VERTICAL BENDING DETAIL

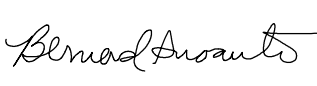

NOTES:

1. ROUND EDGES OF SWITCH STOPS AT CONTACT AREAS, 1/2" R
2. BEVEL ALL BOLT HOLES
3. WRITE CALTRAIN SD NUMBER ON WEB OF RAIL WITH WATERPROOF MARKER OR PAINT


REV	DATE	BY	CHK	APP	DESCRIPTION

PENINSULA CORRIDOR JOINT POWERS BOARD

APPROVED BY:

ENGINEERING MANAGER DEPUTY DIRECTOR OF ENGINEERING



1250 San Carlos Avenue
 San Carlos, CA 94070

STANDARD DRAWINGS

SPECIAL TRACKWORK
NO 10 TURNOUT
SWITCH POINT ASSEMBLY FOR RH TURNOUT
RH STRAIGHT 21'-6" SAMSON

CADD FILE NO.:		SD-2512
REV	DATE	
0	093011	
SPECIAL TRACKWORK		
STANDARD NO.:		SD-2512