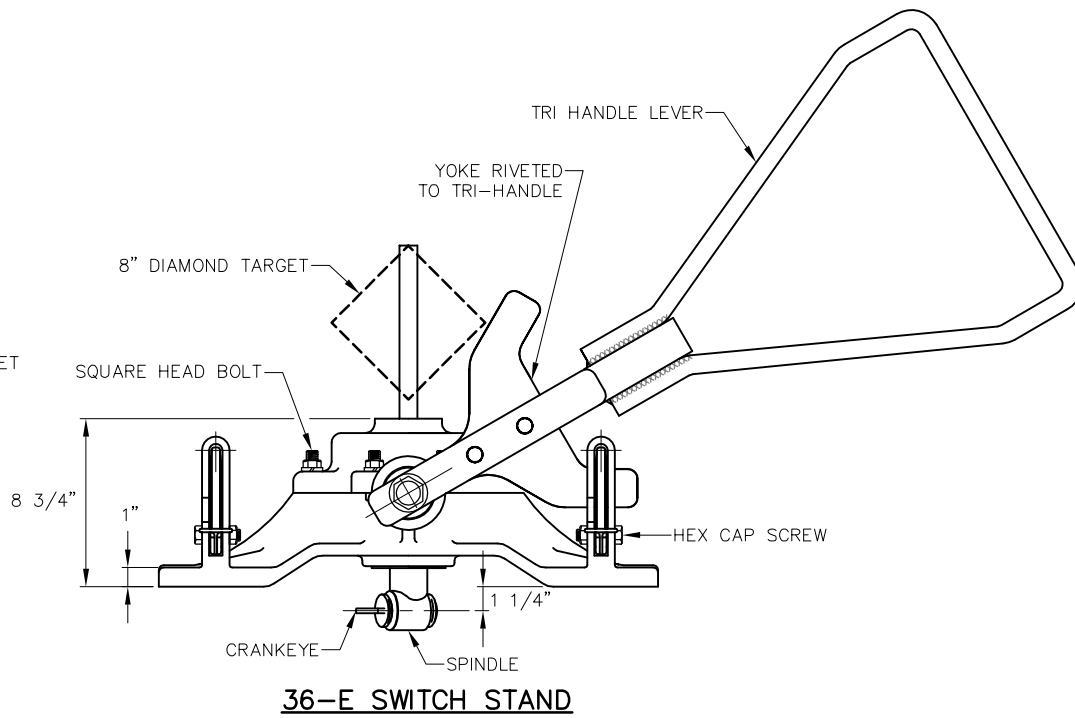


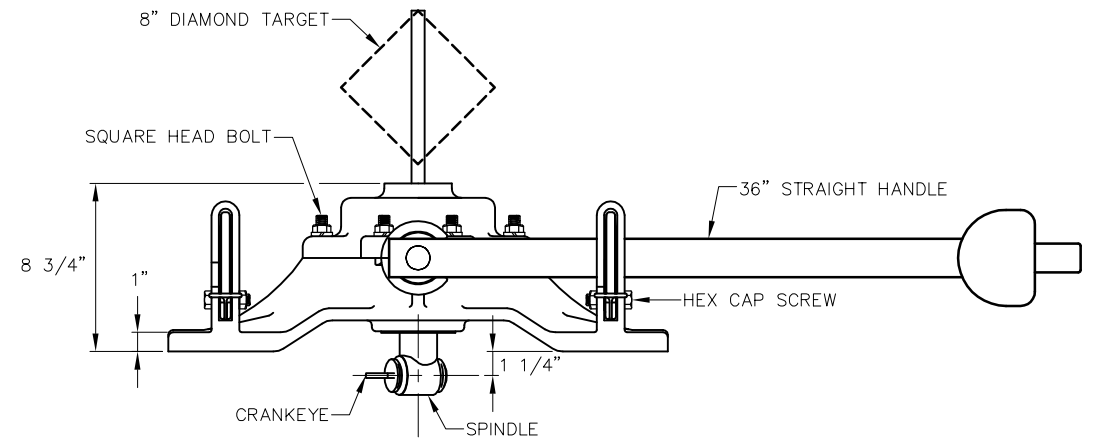
36-EH SWITCH STAND (STANDARD)

NOTE:

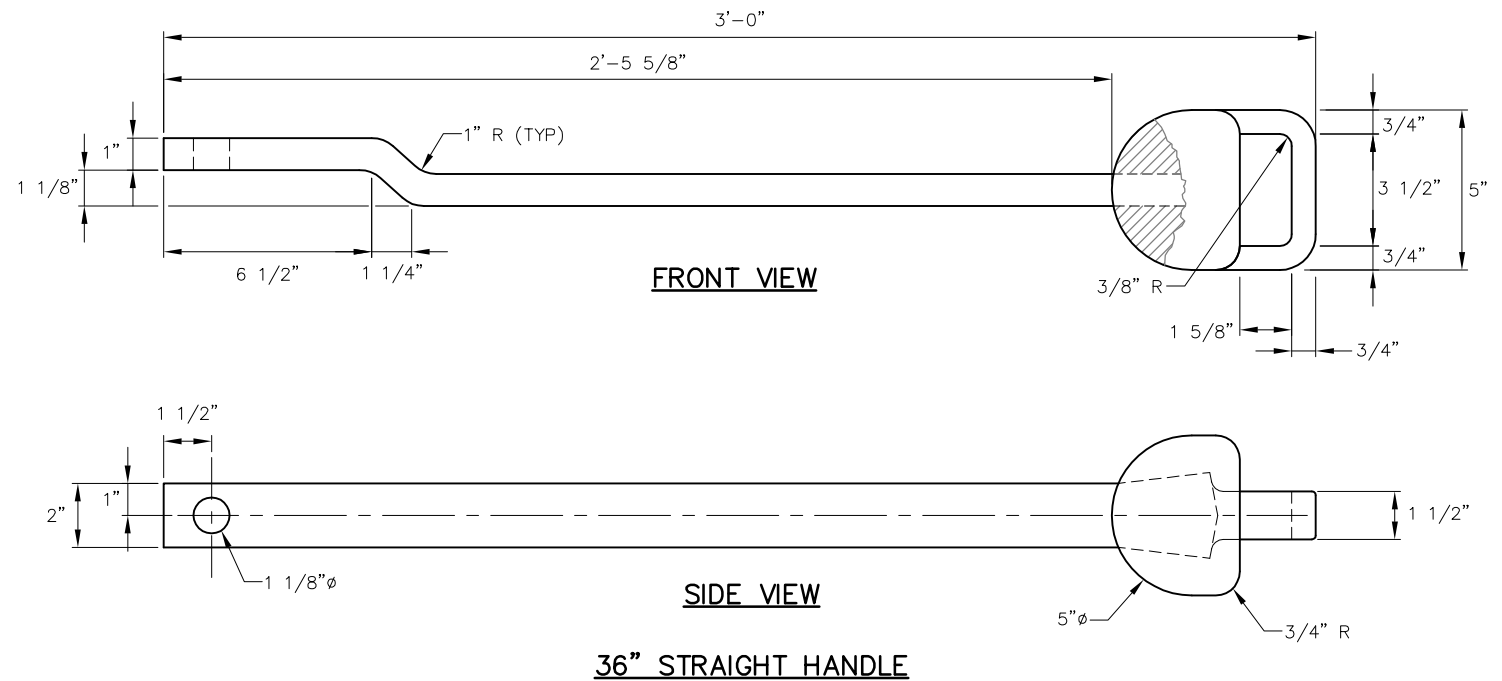
1. ALL SWITCH STANDS SHOWN ARE FOR USE ON HANDTHROW SWITCHES ONLY.



36-E SWITCH STAND



**36-E WITH STRAIGHT HANDLE
(FOR TIGHT CLEARANCE ONLY)**



FRONT VIEW

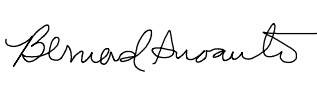

SIDE VIEW


36" STRAIGHT HANDLE

| REV | DATE | BY | CHK | APP | DESCRIPTION | REV | DATE | BY | CHK | APP | DESCRIPTION |
|-----|------|----|-----|-----|-------------|-----|------|----|-----|-----|-------------|
| | | | | | | | | | | | |

PENINSULA CORRIDOR JOINT POWERS BOARD

APPROVED BY:



1250 San Carlos Avenue
San Carlos, CA 94070

STANDARD DRAWINGS

SPECIAL TRACKWORK
NO 8 TURNOUT

36E AND 36EH SWITCH STANDS

| | | |
|-------------------|------|---------|
| CADD FILE NO.: | | SD-2410 |
| REV | DATE | 093011 |
| 0 | | |
| SPECIAL TRACKWORK | | |
| STANDARD NO.: | | SD-2410 |