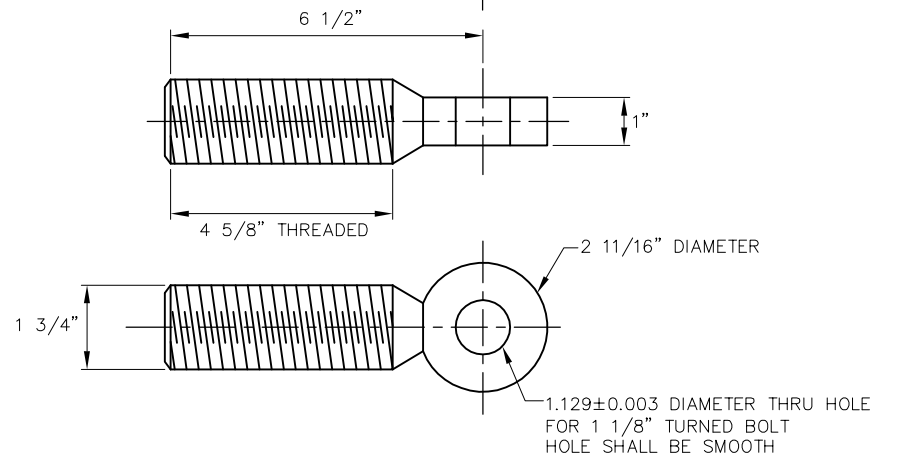
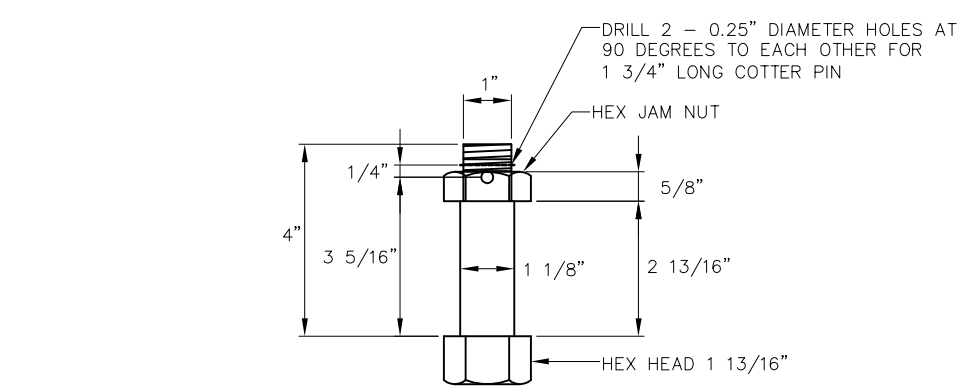


STANDARD CONNECTING ROD



CRANK EYE



**SWITCH STAND SHOULDER AND HEAD ROD BOLT
(MINIMUM SAE 4140 STEEL)**

UNIVERSAL CONNECTING RODS		
X = LENGTH OF ROD	JAW OPENING	HEAD ROD BOLT DIAMETER
3'-6"	1 5/16"	1 1/8"
5'-0"	1 5/16"	1 1/8"
5'-9"	1 5/16"	1 1/8"
6'-0"	1 5/16"	1 1/8"
6'-10 1/2"	1 5/16"	1 1/8"

REV	DATE	BY	CHK	APP	DESCRIPTION

PENINSULA CORRIDOR JOINT POWERS BOARD

APPROVED BY:






1250 San Carlos Avenue
San Carlos, CA 94070

STANDARD DRAWINGS	
SPECIAL TRACKWORK NO 8 TURNOUT	
CONNECTING RODS	
CADD FILE NO.: SD-2409	REV 0
DATE 093011	SPECIAL TRACKWORK
STANDARD NO.: SD-2409	