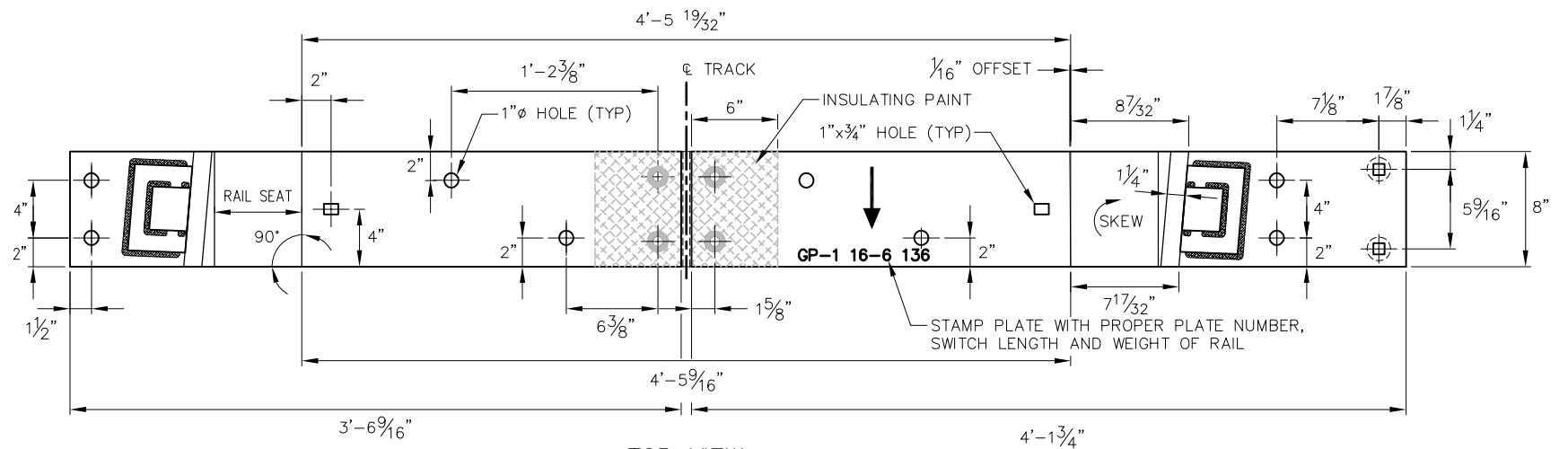
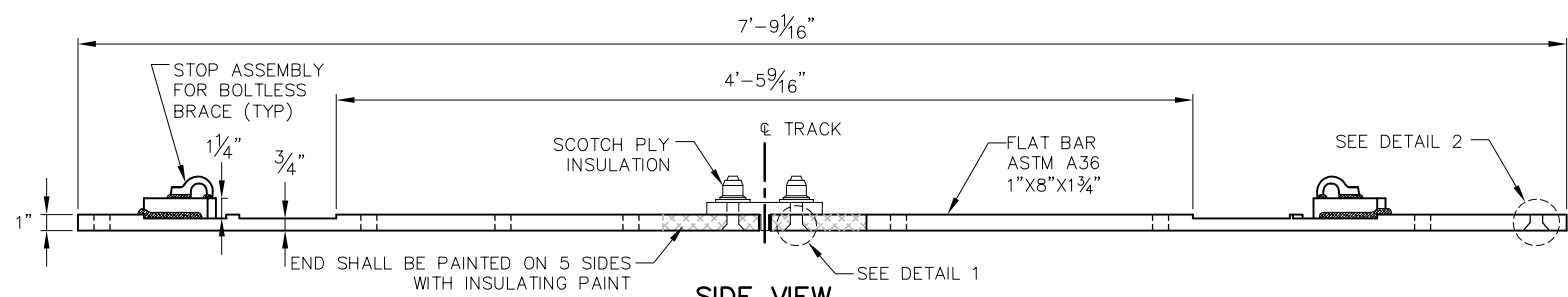


**POWER OPERATION SWITCH PLAN**



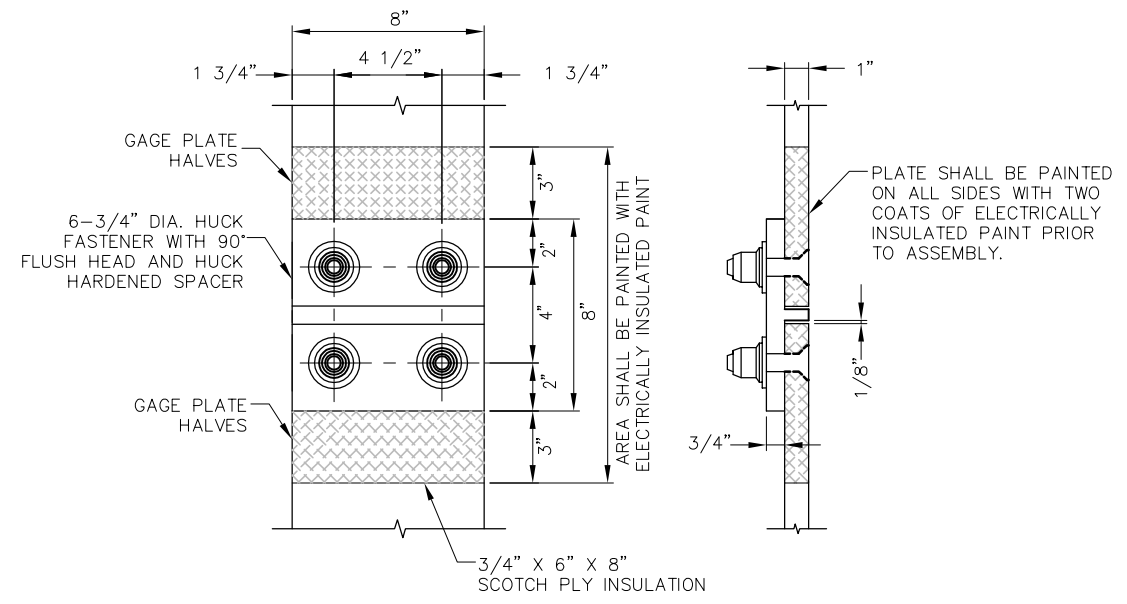
**TOP VIEW**



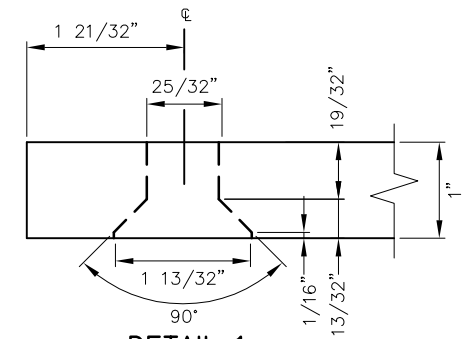
**SIDE VIEW  
GAGE PLATE NO. 1**

**NOTES:**

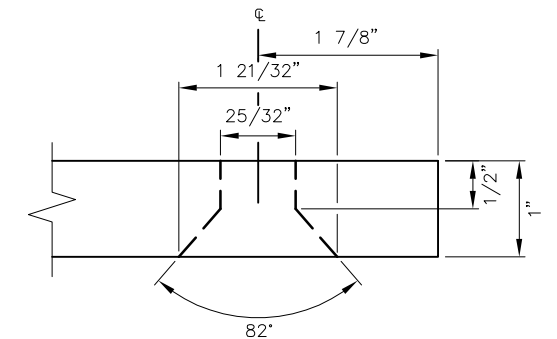
1. GAGE PLATE SHOWN IS FOR TIMBER TIE SWITCHES ONLY.
2. GAGE PLATE SHALL BE MARKED AS SHOWN WITH 3/4" CHARACTERS ENGRAVED TO A DEPTH OF 0.050" AT LOCATION INDICATED.
3. SEE SIGNAL DRAWING FOR DETAILS ON GAGE PLATE EXTENSION AND DAP TIES.
4. MARK ARROW WITH WHITE PAINT TOWARD POINT OF SWITCH.



**SCOTCH PLY INSULATION**



**DETAIL 1  
COUNTERSINK DETAIL**



**DETAIL 2  
COUNTERBORE DETAIL**

REV	DATE	BY	CHK	APP	DESCRIPTION

**PENINSULA CORRIDOR JOINT POWERS BOARD**

APPROVED BY:




ENGINEERING MANAGER      DEPUTY DIRECTOR OF ENGINEERING



1250 San Carlos Avenue  
 San Carlos, CA 94070

**STANDARD DRAWINGS**

**SPECIAL TRACKWORK  
 NO 8 TURNOUT  
 GAGE PLATE NO. 1 WITH  
 SCOTCH PLY INSULATION**

GADD FILE NO.: SD-2408  
 REV 0 DATE 093011  
 SPECIAL TRACKWORK  
 STANDARD NO.: SD-2408