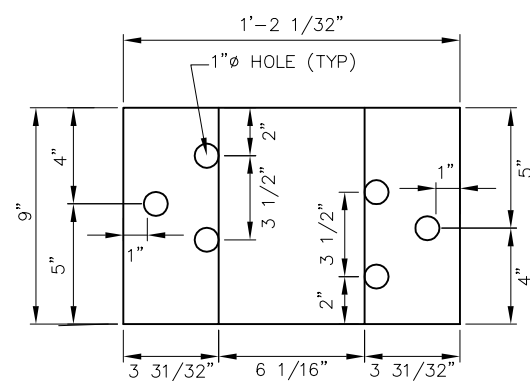
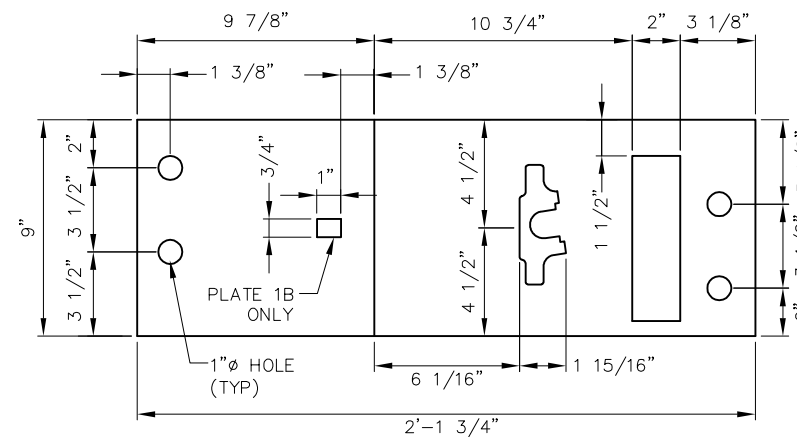


**TIE PLATES AND SLIDE PLATES LAYOUT
16'-6" SWITCH ALIGNMENT**

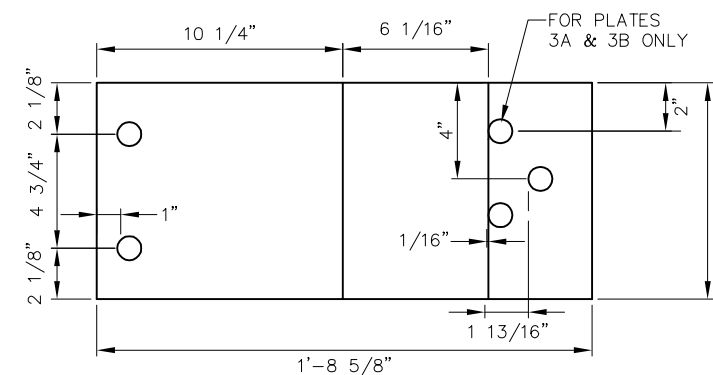
TABLE OF QUANTITIES							
SWITCH LENGTH	PLATE NUMBER						
	0	1A	1B	2	3	3A	3B
16'-6"	10	4	2	6	2	N/A	2



TIE PLATE NO. 0



SLIDE PLATE NO. 1A & 1B



SLIDE PLATE NO. 2, 3, 3A & 3B

SLIDE PLATES		
PLATE NO.	A	B
PLATE 2	1"	1"
PLATE 3	15/16"	1"
PLATE 3A	7/8"	7/8"
PLATE 3B	13/16"	7/8"



NOTES:


- SWITCH PLATES SHOWN ARE FOR TIMBER TIE SWITCHES ONLY

REV	DATE	BY	CHK	APP	DESCRIPTION

PENINSULA CORRIDOR JOINT POWERS BOARD

APPROVED BY:



1250 San Carlos Avenue
San Carlos, CA 94070

STANDARD DRAWINGS

SPECIAL TRACKWORK
NO 8 TURNOUT
SWITCH PLATES

CADD FILE NO.: SD-2407	
REV 0	DATE 093011
SPECIAL TRACKWORK	
STANDARD NO.: SD-2407	