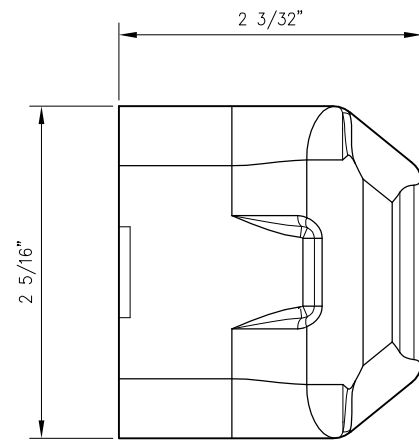
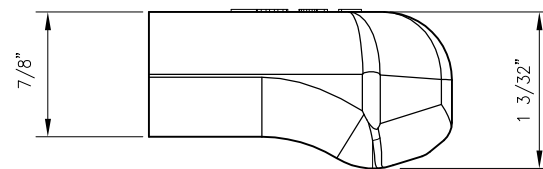


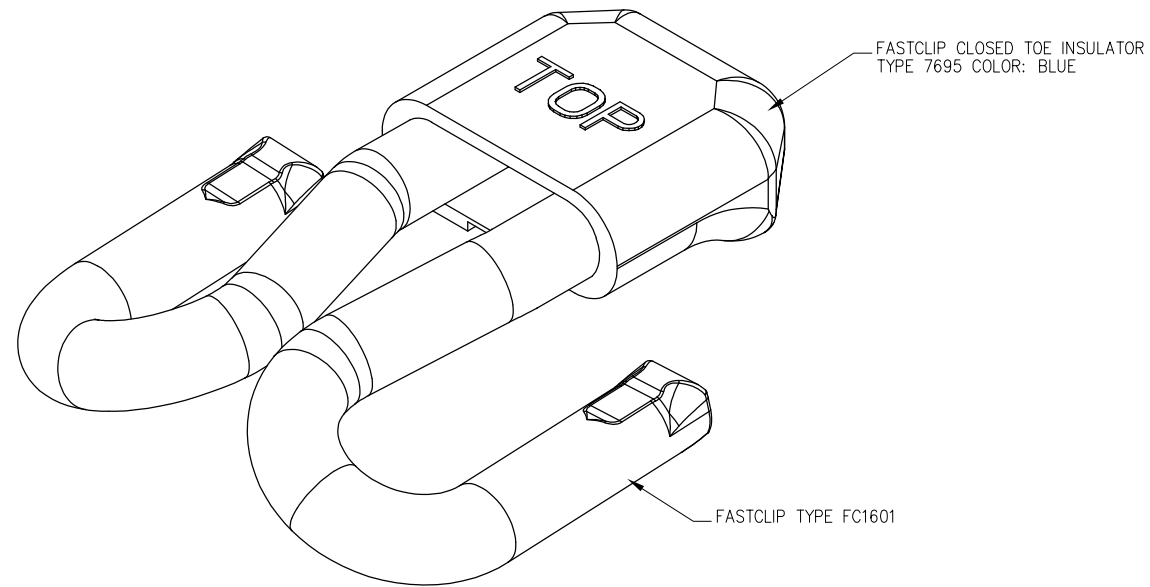
TOP VIEW



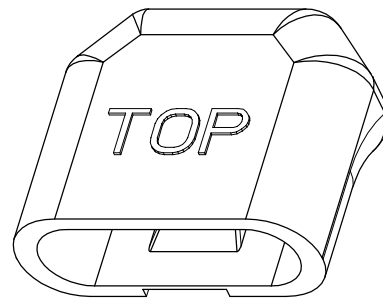
BOTTOM



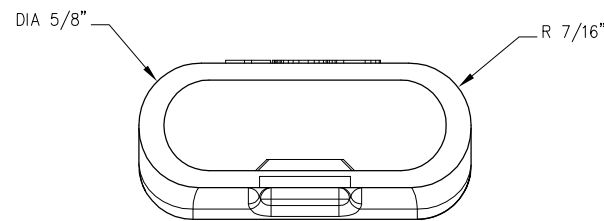
SIDE VIEW



**ISOMETRIC
(ASSEMBLED)**



ISOMETRIC



END VIEW

NOTES:

1. TOE INSULATOR SHALL BE PANDROL TYPE 7695. INSULATOR COLOR: BLUE
2. FOR USE WITH PANDROL FASTCLIP TYPE FC1601
3. TYPE 7695 TOE INSULATOR IS A HEAVY DUTY PART NUMBER

REV	DATE	BY	CHK	APP	DESCRIPTION	REV	DATE	BY	CHK	APP	DESCRIPTION

PENINSULA CORRIDOR JOINT POWERS BOARD

APPROVED BY:

ENGINEERING MANAGER

DEPUTY DIRECTOR OF ENGINEERING

1250 San Carlos Avenue
San Carlos, CA 94070

STANDARD DRAWINGS

SPECIAL TRACKWORK
GENERAL ELEMENTS
TOE INSULATOR
FOR FC1600 SERIES PANDROL FASTCLIP

CADD FILE NO.: SD-2314	
REV 0	DATE 093011
SPECIAL TRACKWORK	
STANDARD NO.: SD-2314	