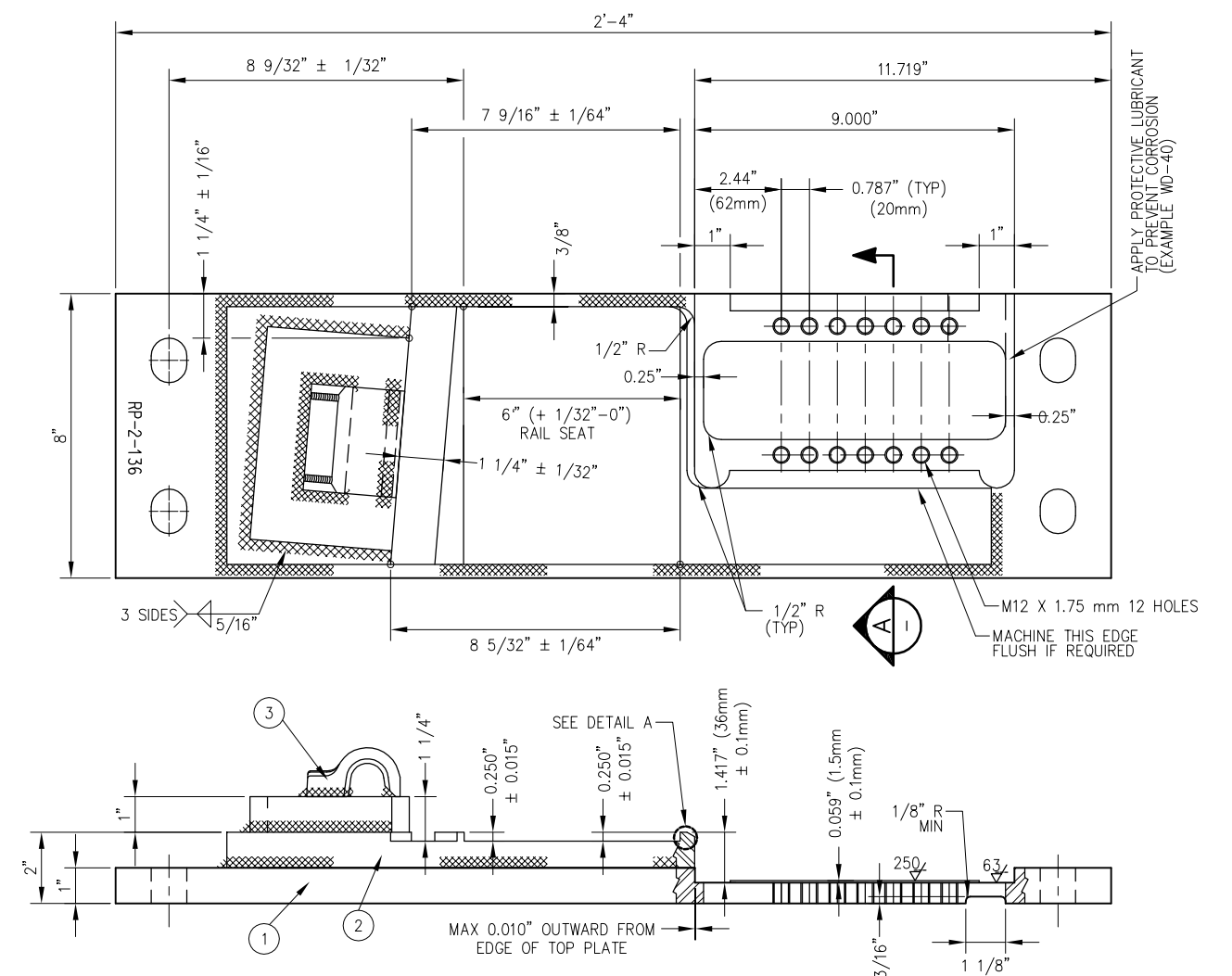
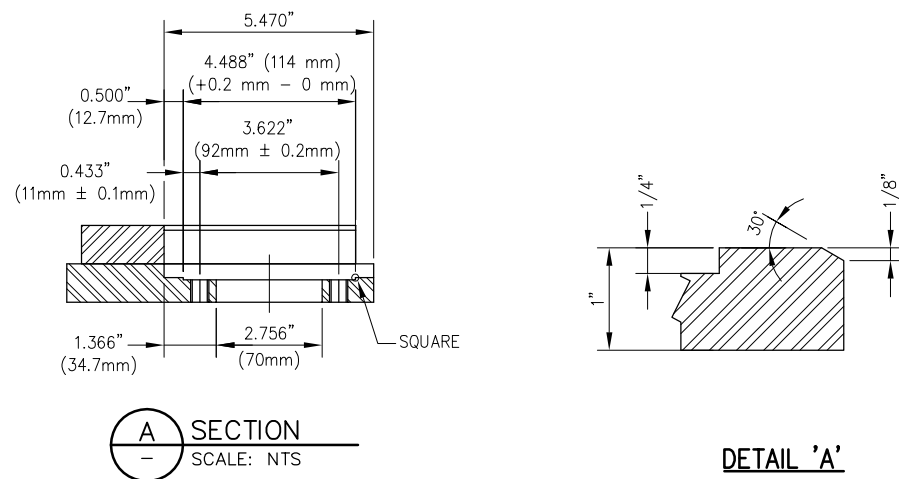


SWITCH ROLLER PLATE RP-2-136 W/O ROLLER WELDING & PUNCHING DETAILS



SWITCH ROLLER PLATE RP-2-136 W/O ROLLER MACHINING DETAILS



A SECTION
SCALE: NTS




DETAIL 'A'

BILL OF MATERIALS	
ITEM	DESCRIPTION
1	FLAT BAR, ASTM A36, 1" X 8" X 2'-0" LONG
2	BURNED SWITCH POINT RISER PLATE FOR RP-1-136
3	SHOULDER, FORGED, TYPE 5, ANTI-OVERDRIVE

NOTES:

- I.D. CHARACTERS SHALL BE 1/2" MINIMUM HEIGHT, STAMPED CLEARLY AS SHOWN
- USE IMPERIAL DIMENSIONS WITH THE EXCEPTION OF TOLERANCED METRIC DIMENSIONS AND THREADED HOLES
- SURFACE ROUGHNESS 250 AND 63 MICROINCH ARE EQUIVALENT TO N9 AND N7 AND SHOULD TRAVERSE THE ENTIRE MACHINED SURFACE
- SLOTTED HOLE CENTERS ARE INDICATED ON DRAWING
- DEBUR ALL THREADED HOLES

REV	DATE	BY	CHK	APP	DESCRIPTION

PENINSULA CORRIDOR JOINT POWERS BOARD		STANDARD DRAWINGS		CADD FILE NO: SD-2312
APPROVED BY:		 1250 San Carlos Avenue San Carlos, CA 94070		REV: 0
 ENGINEERING MANAGER				DATE: 093011
 DEPUTY DIRECTOR OF ENGINEERING		SPECIAL TRACKWORK GENERAL ELEMENTS SWITCH PLATES FOR HOLLOW STEEL TIES SWITCH PLATE ROLLER SCHWIVAG RP-2-136		STANDARD NO.: SD-2312