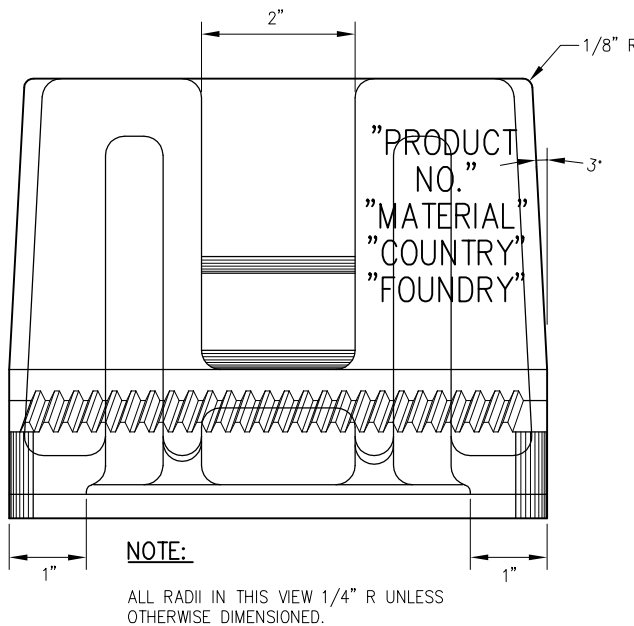
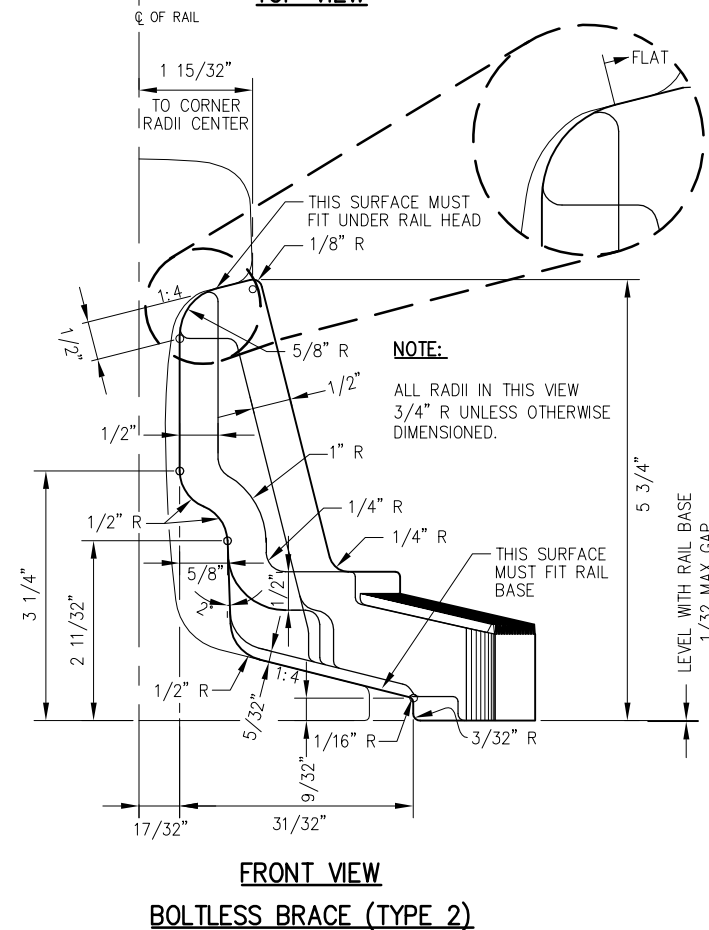
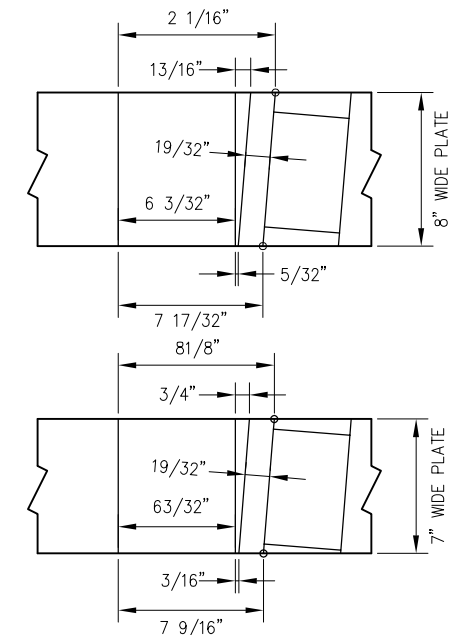


CONTACT AREAS



NOTES:

- "PART ID" CHARACTERS SHALL BE CAST RAISED WITH TEXT AS FOLLOWS:
 "PRODUCT NO." SD-2303
 "MATERIAL" D.I.
 "COUNTRY" SEE "COUNTRY OF ORIGIN"
 "FOUNDRY" LOGO OR ID NOT TO BE GREATER THAN 3/4" X 3/4"
- "COUNTRY OF ORIGIN": CANADA = "CA"; CHINA = "CH"; UNITED STATES = "US".
- TEXT AND LOGOS ARE RAISED 0.030" TO 0.040". THE TEXT FONT IS BLOCK LETTERING AND TEXT SIZE OF 3/8".
- FOR USE WITH 132 LB AND 136 LB RE RAIL ONLY. MATERIAL: DUCTILE IRON, ASTM A536 GR 65-45-12.
- SEE SD-2304 FOR SERRATED WASHER DRAWING.




REV	DATE	BY	CHK	APP	DESCRIPTION

PENINSULA CORRIDOR JOINT POWERS BOARD

APPROVED BY:

Bernard Anagnostis *Steph Chen*

ENGINEERING MANAGER DEPUTY DIRECTOR OF ENGINEERING



1250 San Carlos Avenue
San Carlos, CA 94070

STANDARD DRAWINGS

SPECIAL TRACKWORK
GENERAL ELEMENTS
BOLTLESS BRACE (TYPE 2)

GADD FILE NO.: SD-2303

REV 0 DATE 093011

SPECIAL TRACKWORK

STANDARD NO.: SD-2303